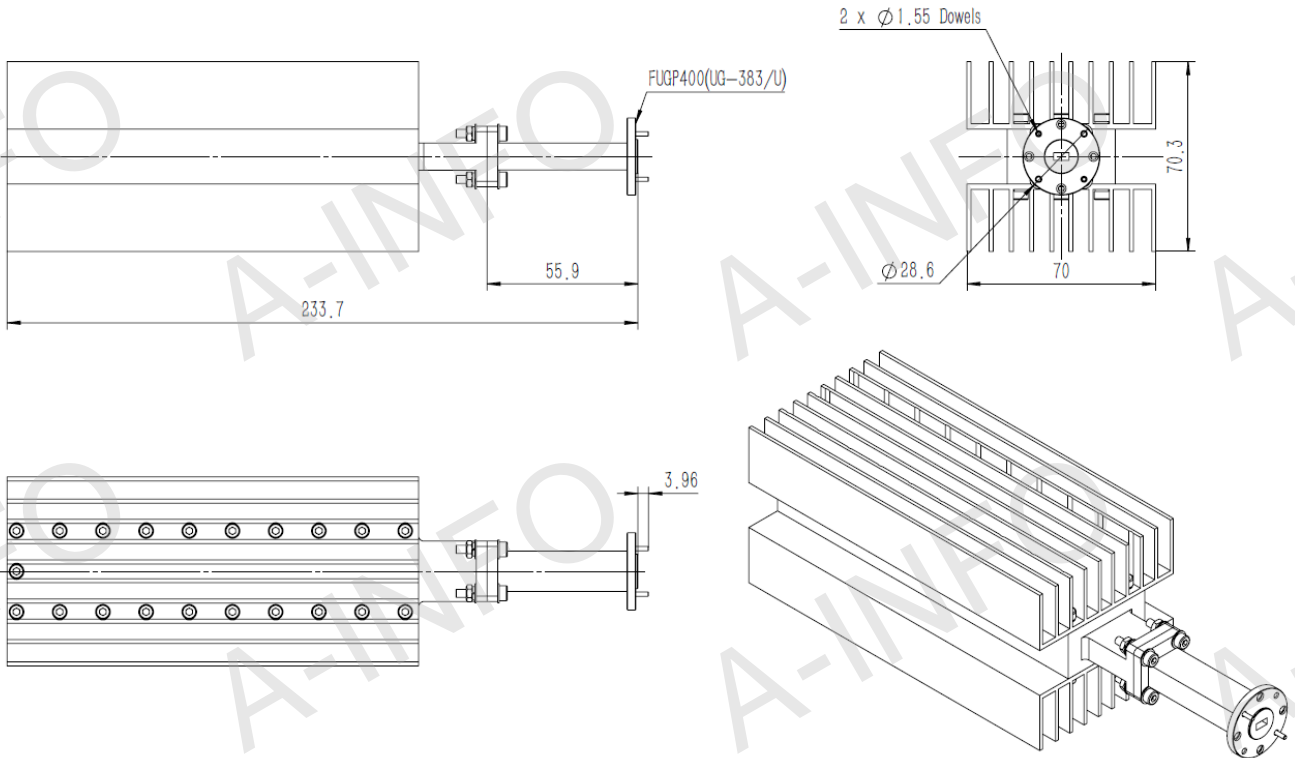


Technical Specification

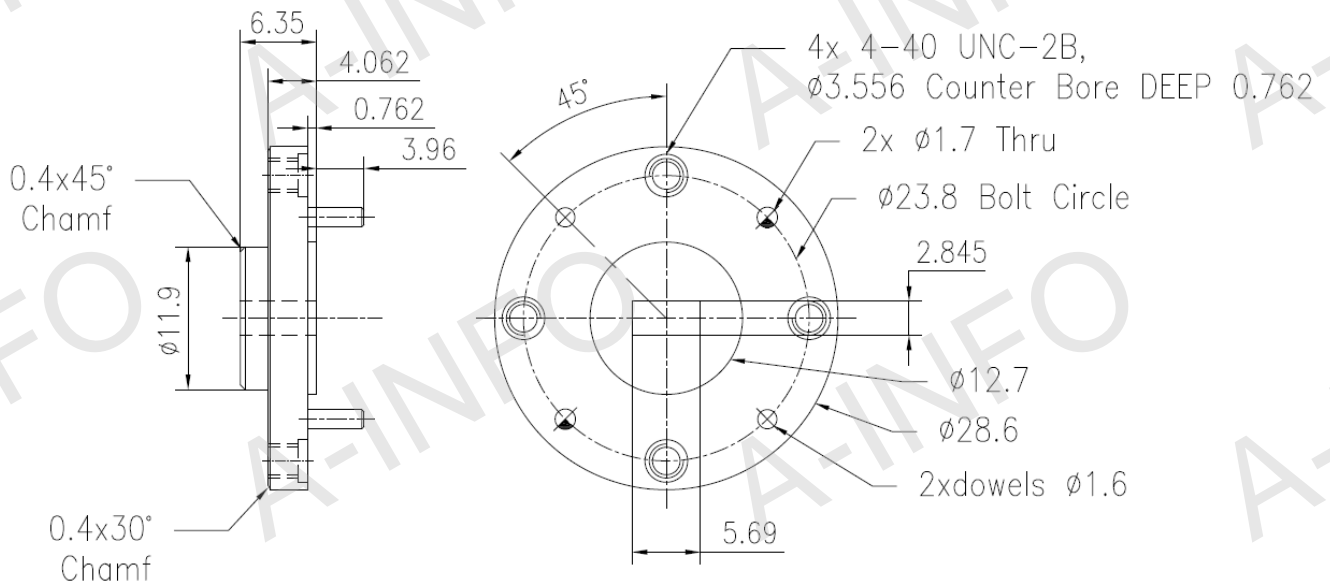


EIA WR	WR22
Frequency Range(GHz)	33.0-50.0
VSWR	1.2:1 Max.
Average Power(W)	500 CW
Peak Power(KW)	60
Flange	FUGP400 (UG-383/U)
Material	Al
Size(mm) LxBxC	233.7 x 70 x 70.3
Net Weight(Kg)	0.5 Around

Outline Drawing (Size: mm)



Flange Drawing (Size: mm)



FUGP400
(equivalent to UG-383/U)

Test Results

VSWR

