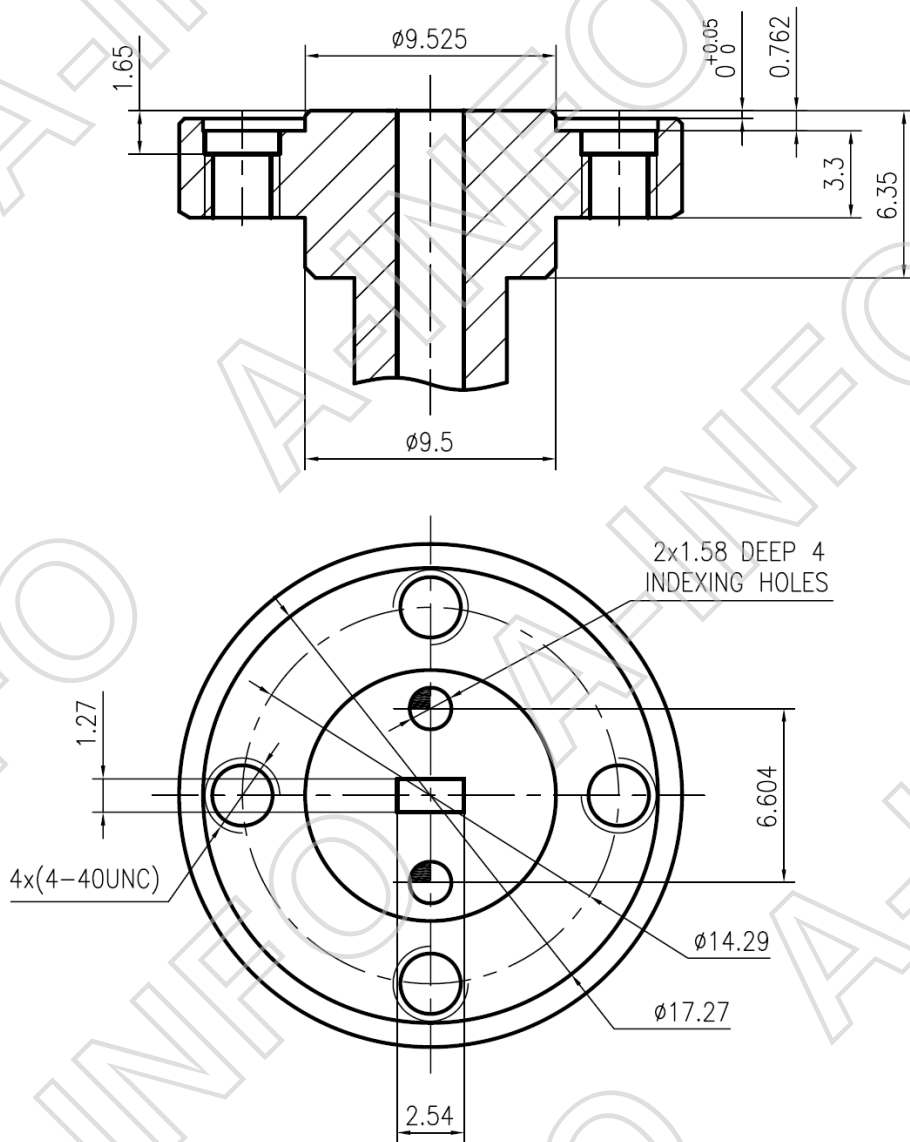


## Precision Flange Information

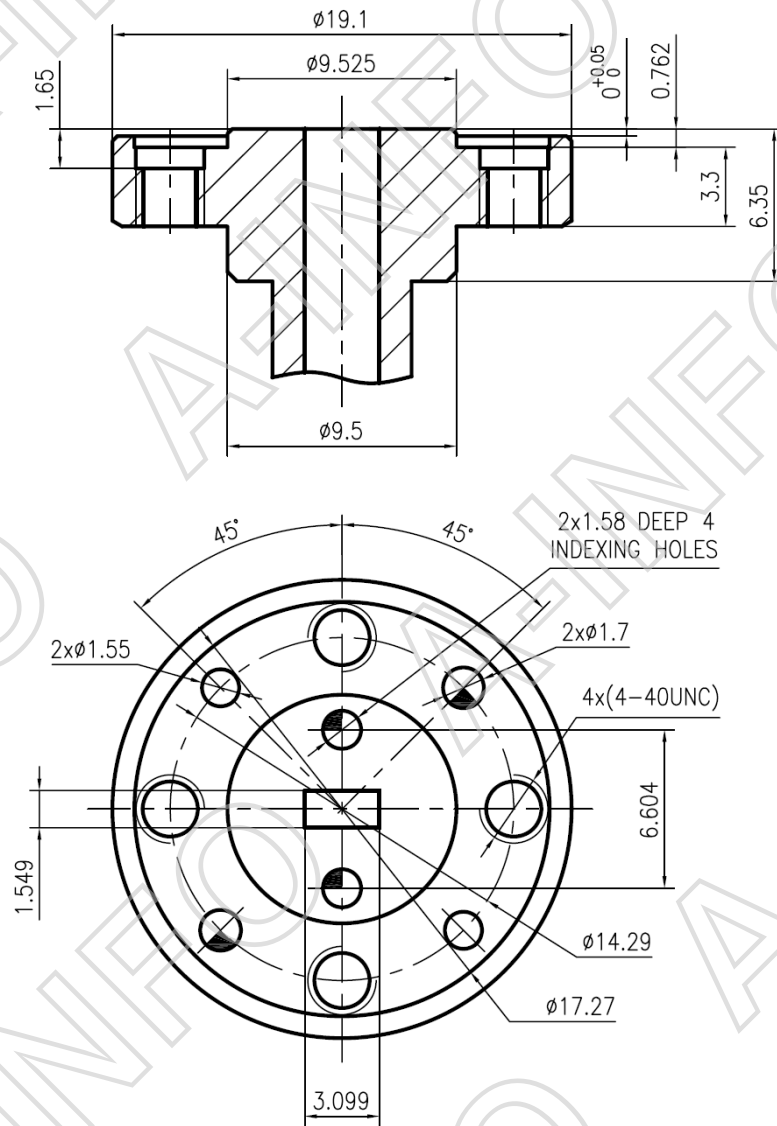
EIA WR	AINFO Precision Flange	Maury MPF Equivalent	Mates with						
			UG	EIA CPR	CMR	AINFO Flange (IEC Standard)			
						FAP (UAR)	FDP (UDR)	FBP (UBR)	FEP (UER)
WR430	APF430	MPF430	UG435/U				FDP22		
WR340	APF340	MPF340	UG553/U	CPR340F			FDP26		
WR284	APF284	MPF284	UG53/U, UG54A/U	CPR284F/G		FAP32	FDP32		
WR284	APF284B	MPF284B	UG53/U, UG54A/U	CPR284F/G	CMR284	FAP32	FDP32		FEP32
WR284	APF284C	MPF284C	UG53/U, UG54A/U			FAP32			
WR229	APF229	MPF229		CPR229F/G	CMR229		FDP40		FEP40
WR229	APF229B	MPF229B		CPR229F/G			FDP40		
WR187	APF187	MPF187	UG149A/U , UG148B/U	CPR187F/G		FAP48	FDP48		
WR187	APF187C	MPF187C	UG149A/U , UG148B/U			FAP48			
WR159	APF159	MPF159		CPR159F/G	CMR159		FDP58		FEP58
WR159	APF159B	MPF159B		CPR159F/G			FDP58		
WR137	APF137	MPF137	UG344/U, UG343A/U	CPR137F/G		FAP70	FDP70		
WR137	APF137C	MPF137C	UG344/U, UG343A/U			FAP70			
WR112	APF112	MPF112	UG51/U	CPR112F/G			FDP84	FBP84	
WR112	APF112B	MPF112B	UG51/U, UG52A/U					FBP84	
WR90	APF90	MPF90	UG39/U, UG40A/U	CPR90F/G			FDP100	FBP100	
WR90	APF90A	MPF90A	UG39/U, UG40A/U		CMR90			FBP100	FEP100
WR90	APF90B	MPF90B	UG39/U, UG40A/U					FBP100	
WR75	APF75A	MPF75A	M3922/70-004 and -005					FBP120	
WR75	APF75B	MPF75B	M3922/70-004 and -005					FBP120	
WR62	APF62	MPF62	UG-419/U or UG541A/U					FBP140	
WR51	APF51A	MPF51A	M3922/70-010,-011,-012,-022,-023 and -024						
WR51	APF51B	MPF51B	M3922/70-010,-011,-012,-022,-023 and -024						
WR51	APF51C	MPF51C						FBP180	

WR42	APF42	MPF42	UG595/U or UG596/U						FBP220
WR34	APF34	MPF34	UG-1530/U, UG595/U or UG596/U						
WR28	APF28	MPF28	UG599/U or UG600/U						FBP320
WR22	APF22	MPF22	UG383/U (FUGP400)						
WR22	APF22A	MPF22A	Mates with precision APF(MPF) flange and do not include the four hole indexing pattern.						
WR19	APF19	MPF19	UG383/U-M (FUGP500)						
WR19	APF19A	MPF19A	Mates with precision APF(MPF) flange and do not include the four hole indexing pattern.						
WR15	APF15	MPF15	UG385/U (FUGP620)						
WR15	APF15A	MPF15A	Mates with precision APF(MPF) flange and do not include the four hole indexing pattern.						
WR12	APF12	MPF12	UG387/U (FUGP740)						
WR12	APF12A	MPF12A	Mates with precision APF(MPF) flange and do not include the four hole indexing pattern.						
WR10	APF10	MPF10	UG387/U-M (FUGP900)						
WR10	APF10A	MPF10A	Mates with precision APF(MPF) flange and do not include the four hole indexing pattern.						

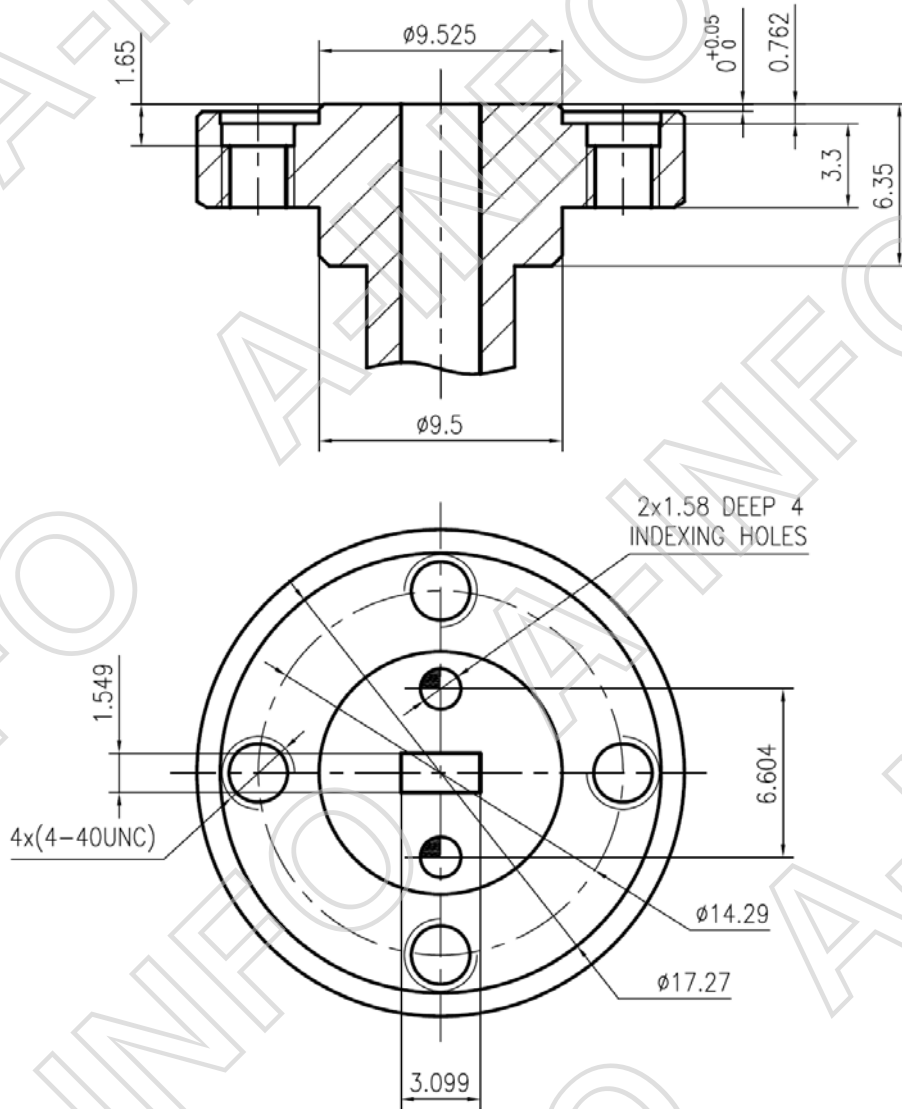




## APF10A

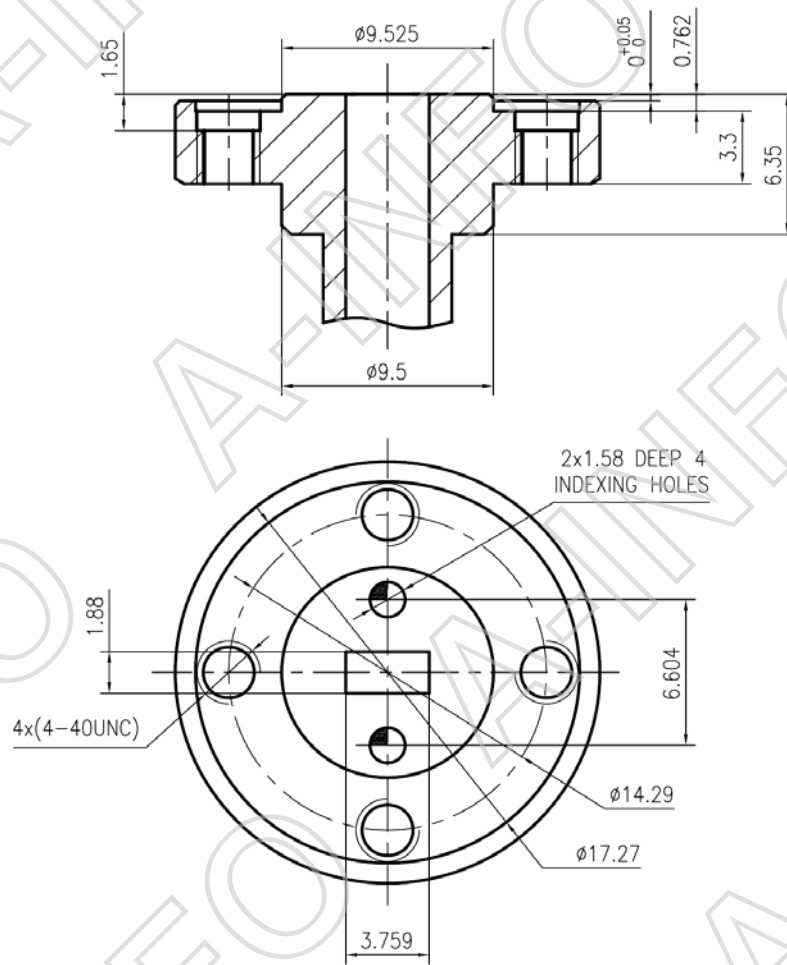


APF12



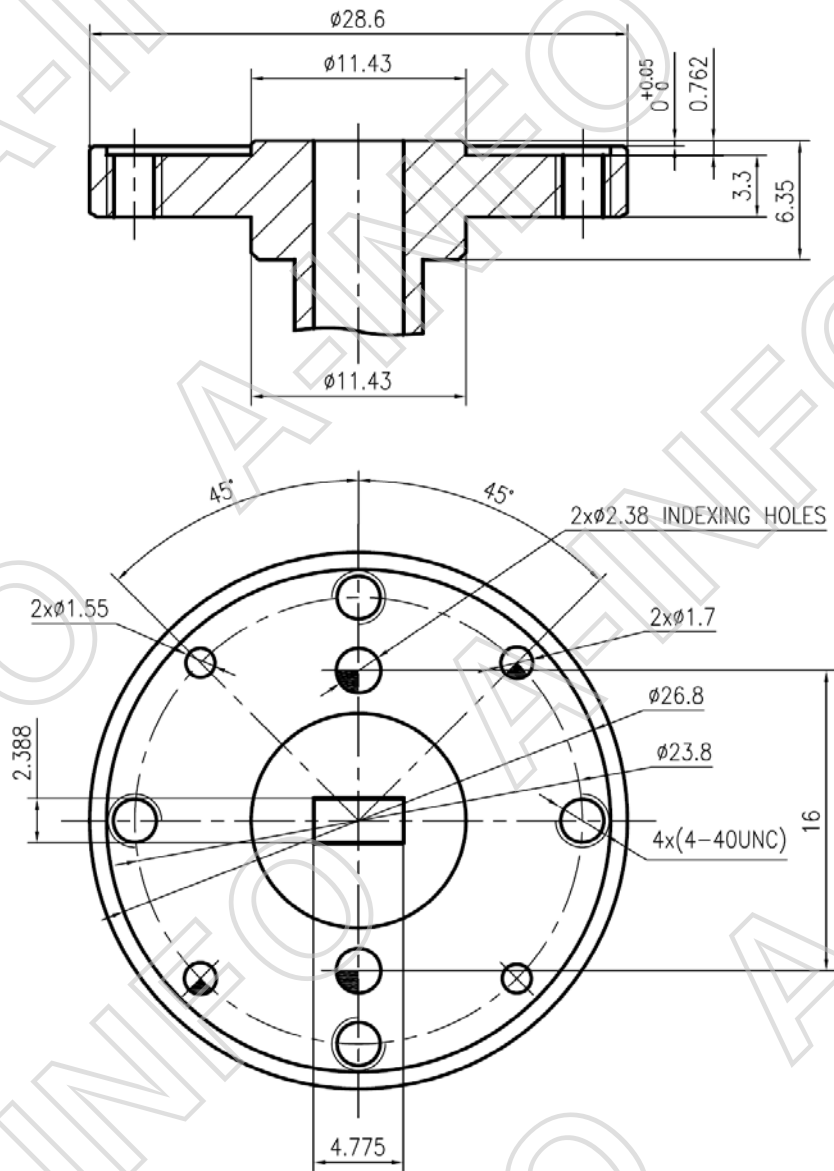
APF12A



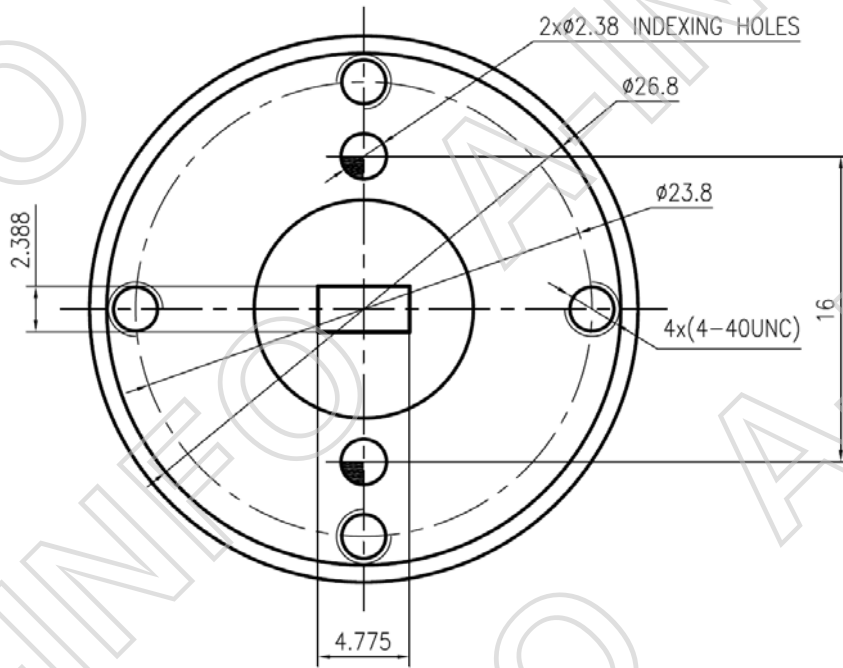
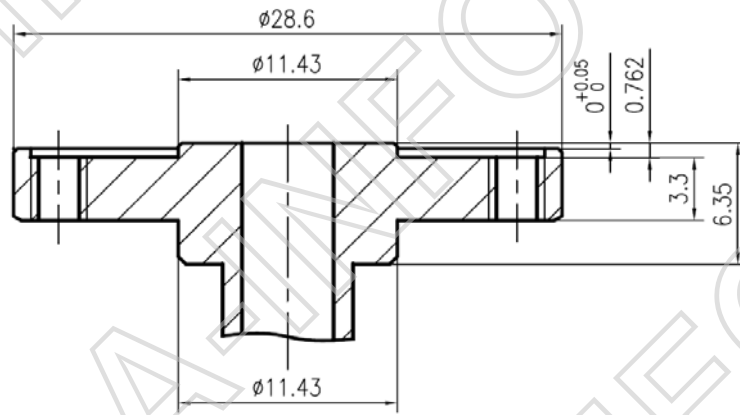


APF15A

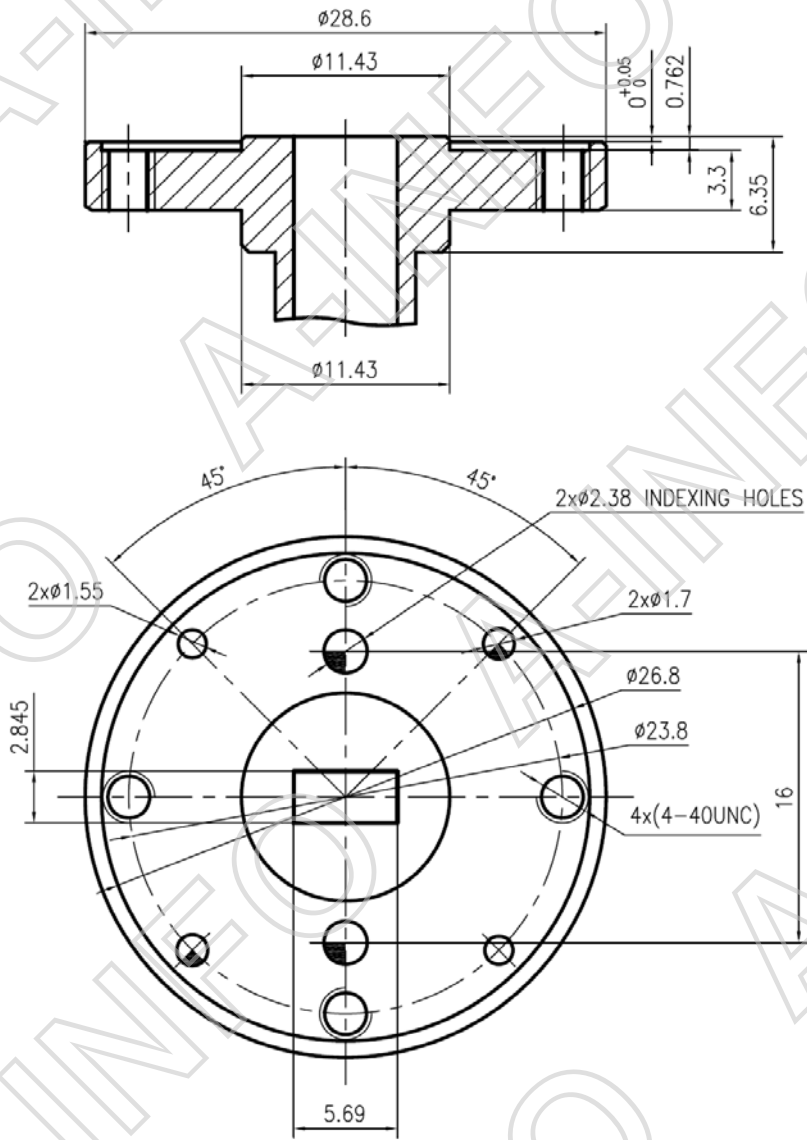




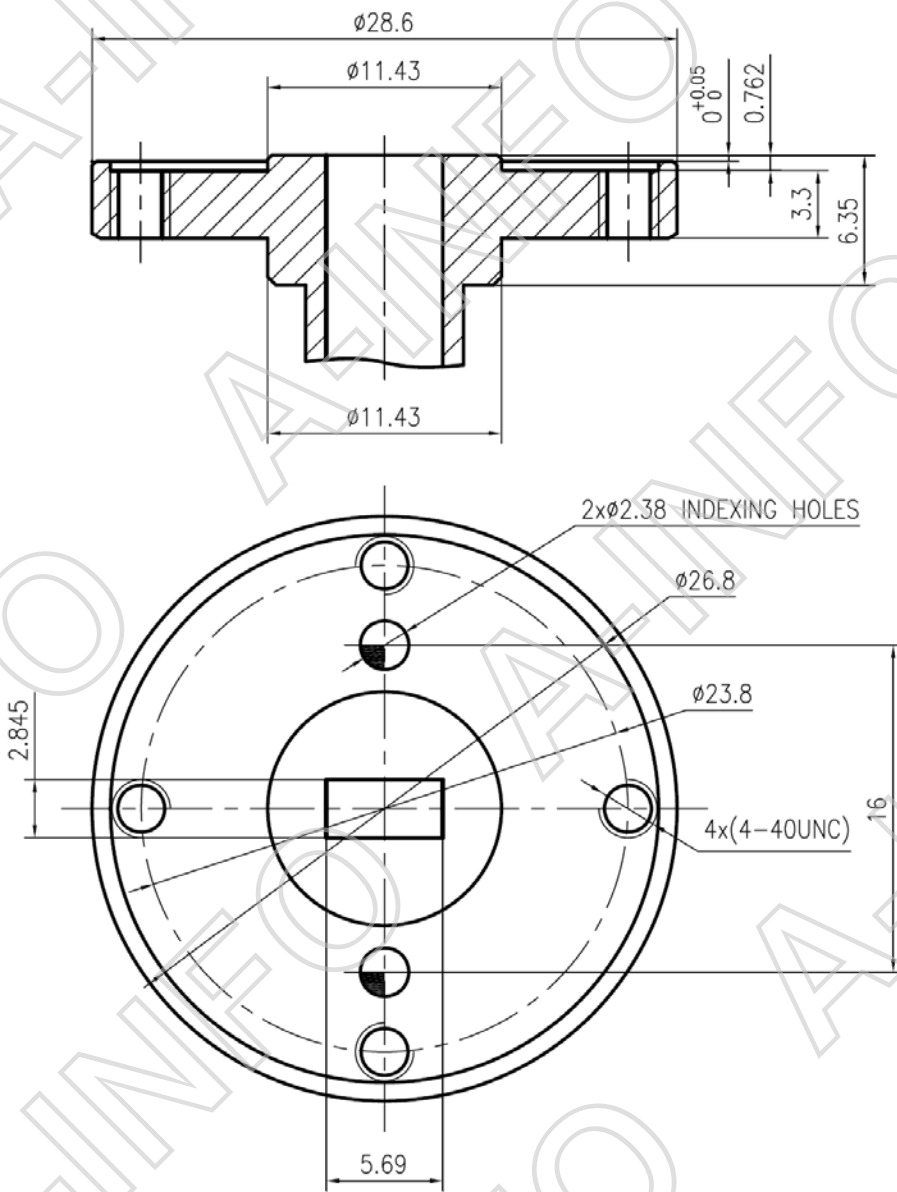
APF19



APF19A

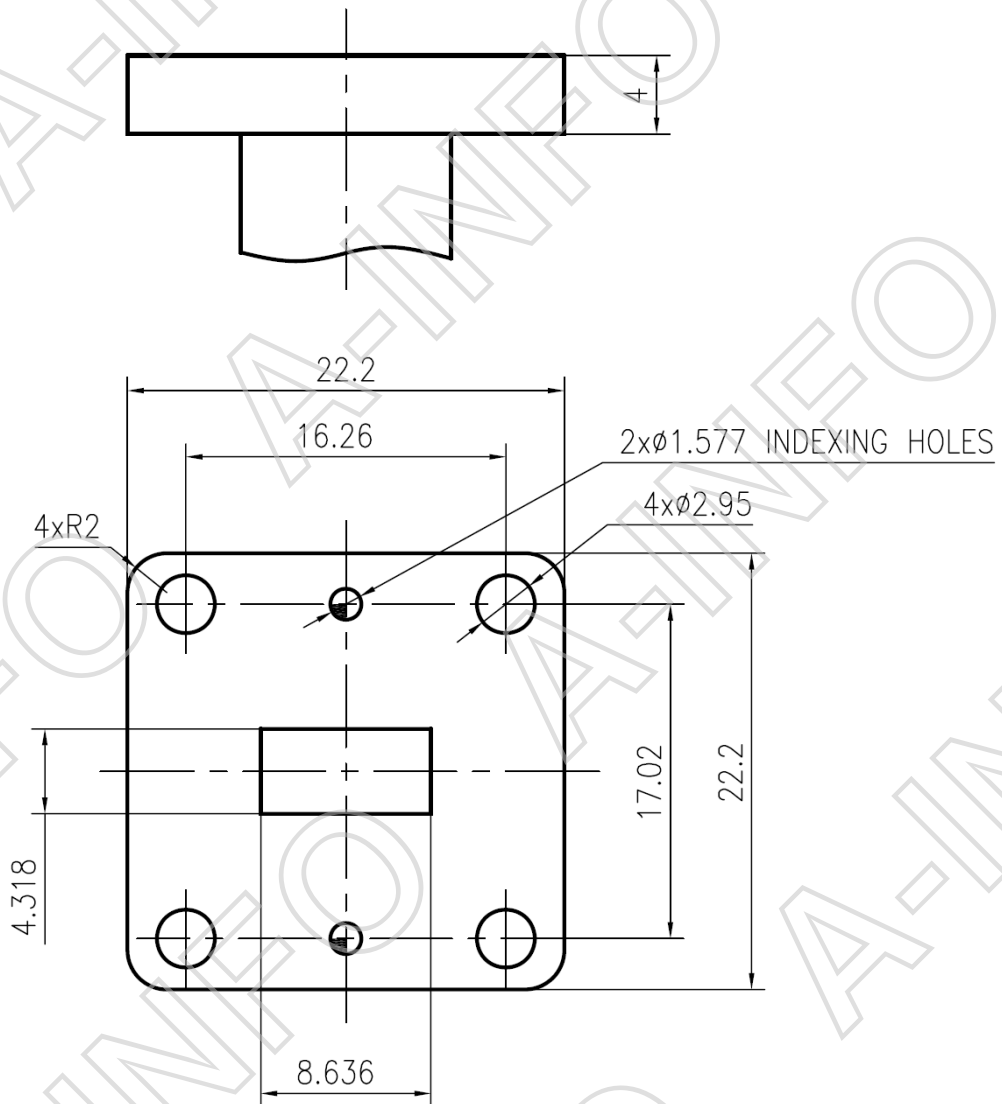


APF22

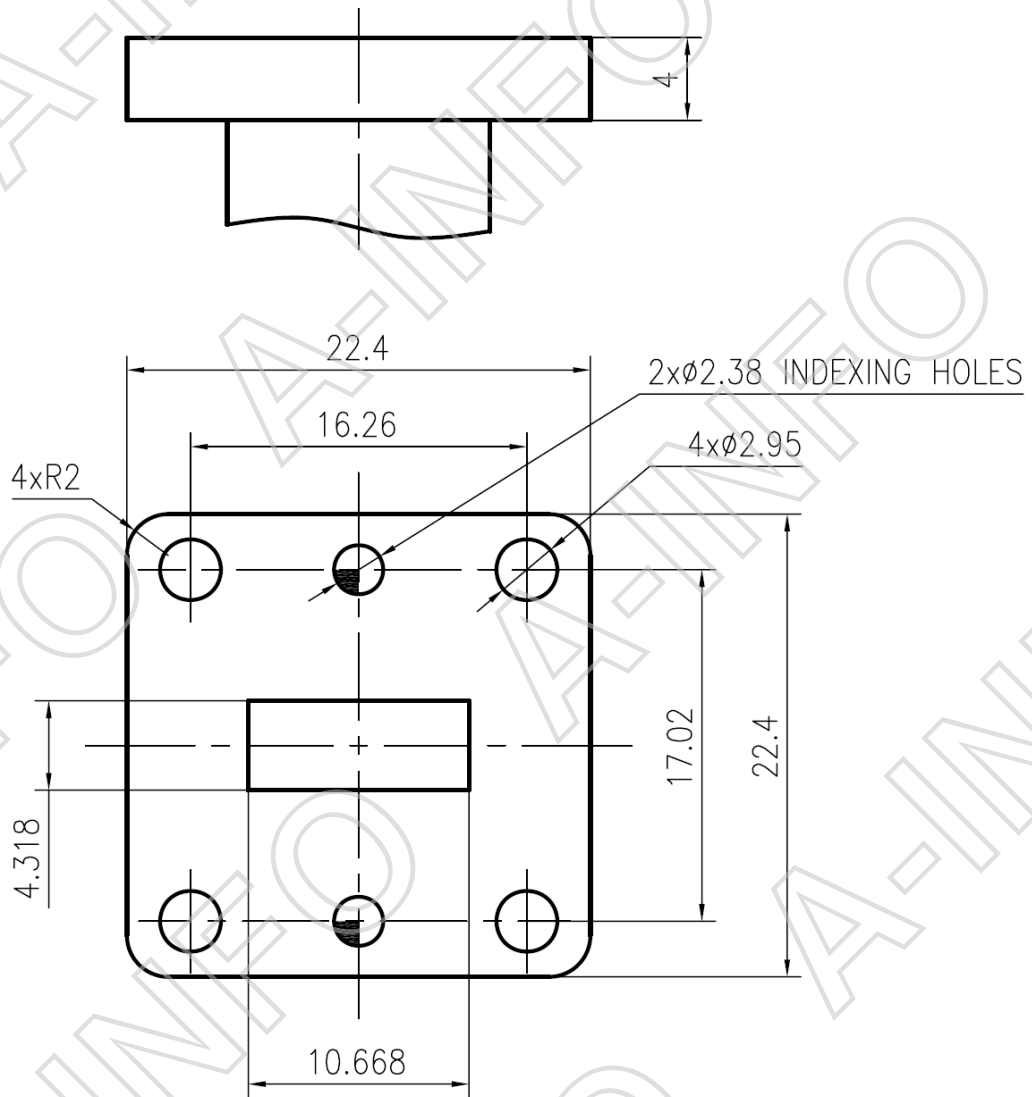


APF22A

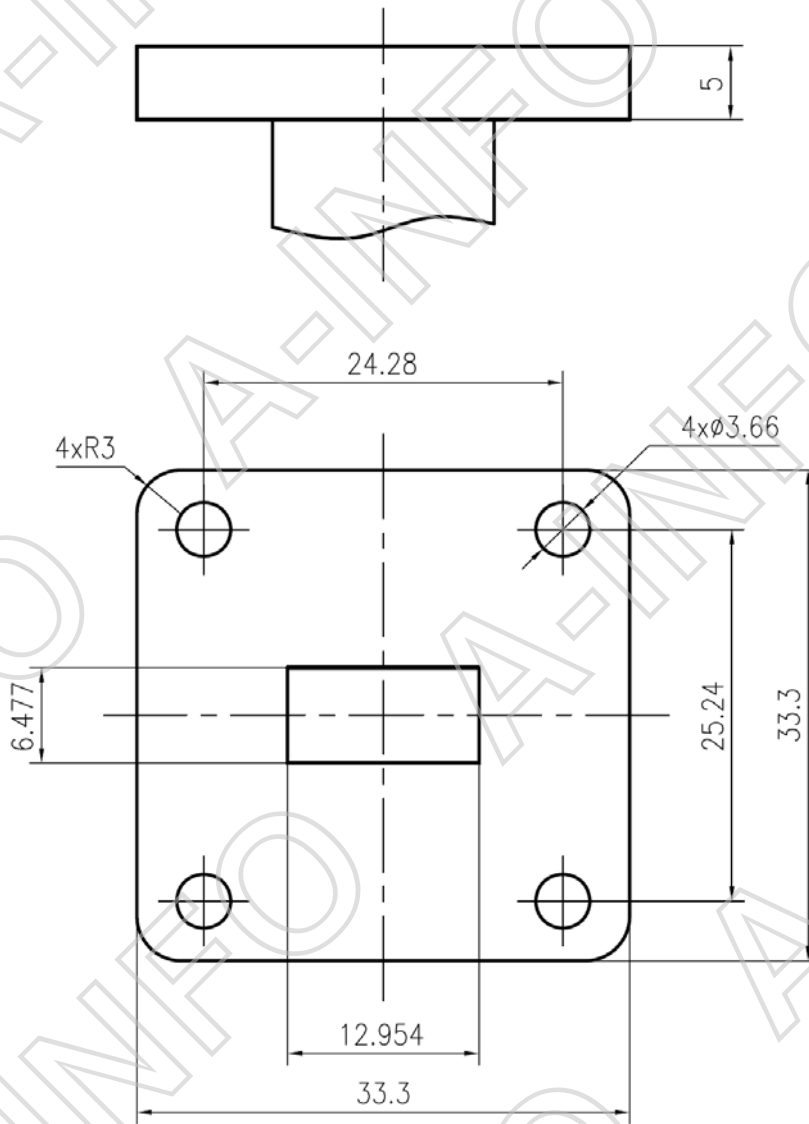




APF34

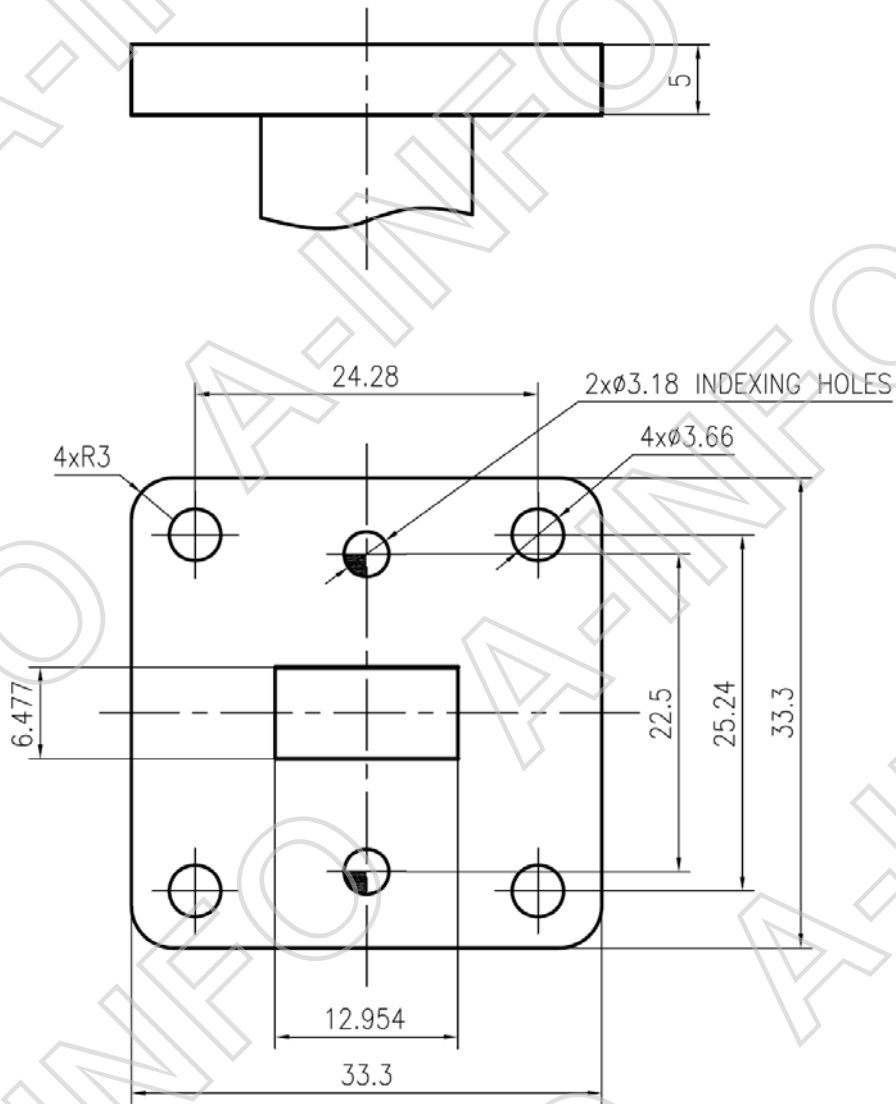


APF42

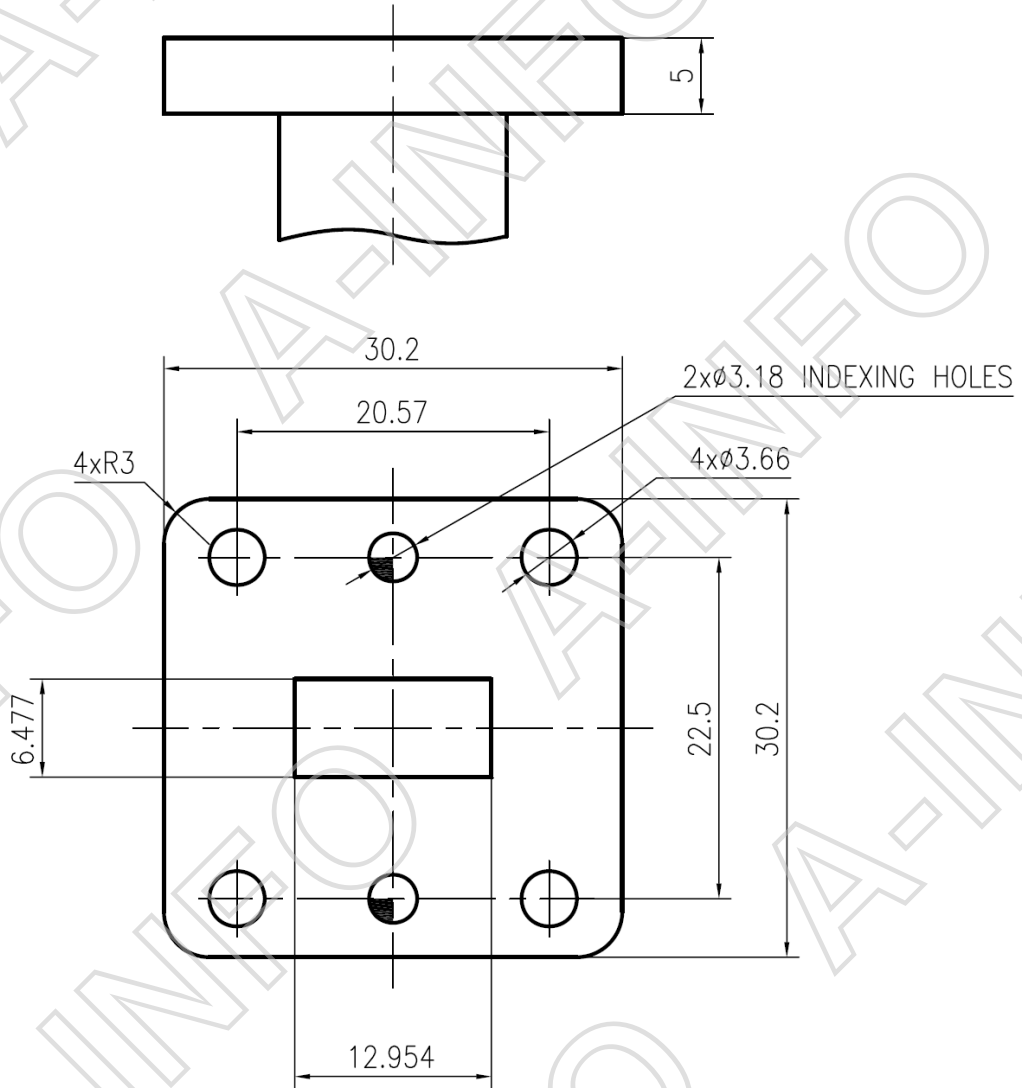


APF51A

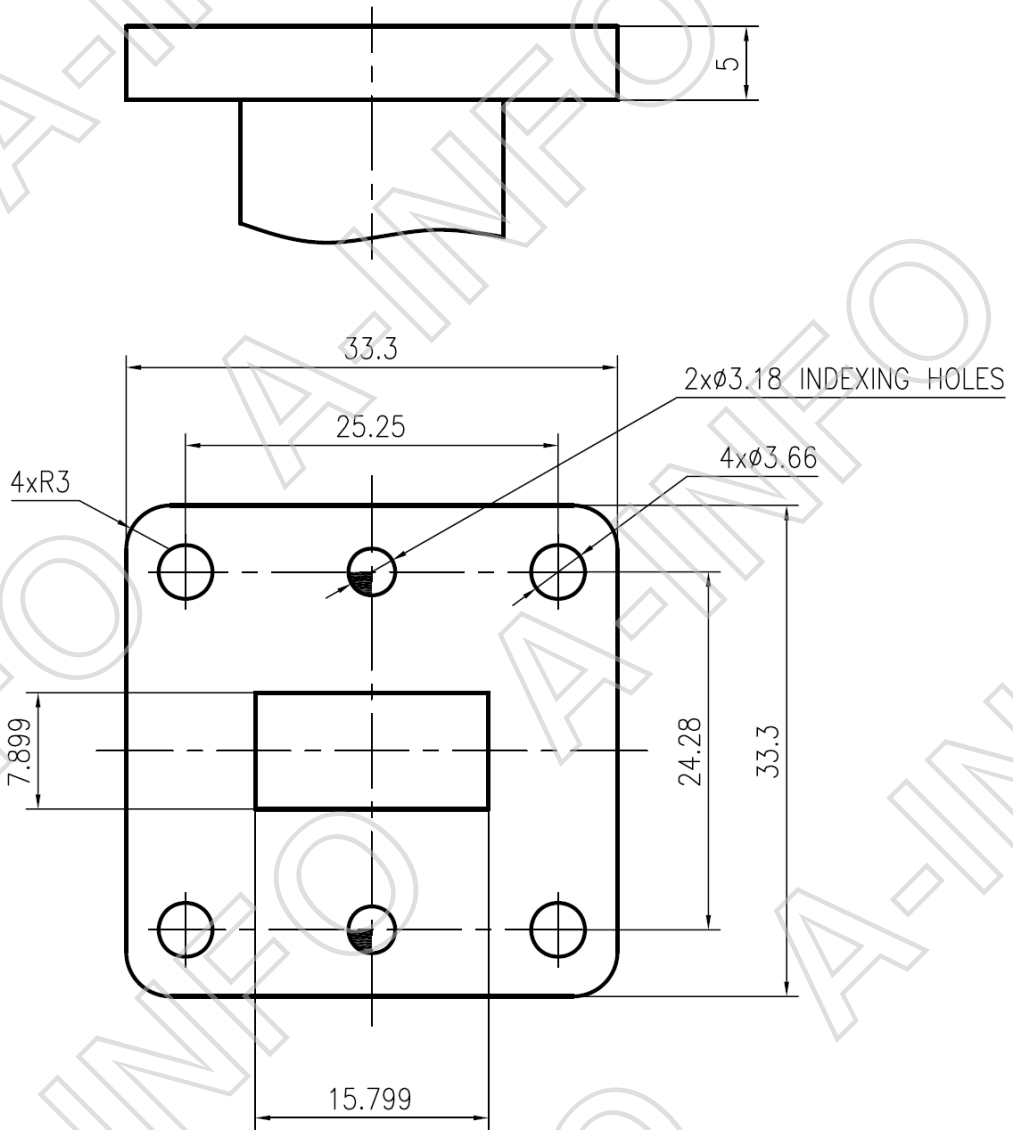




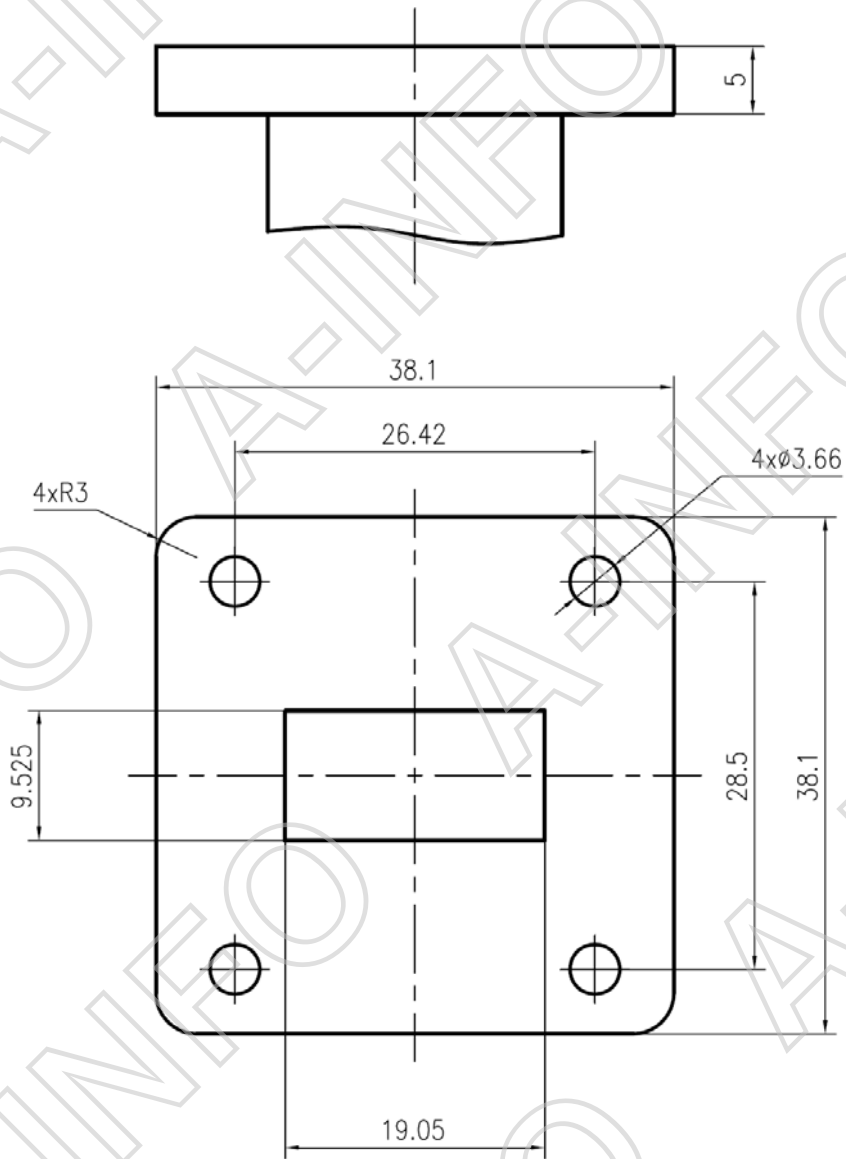
APF51B



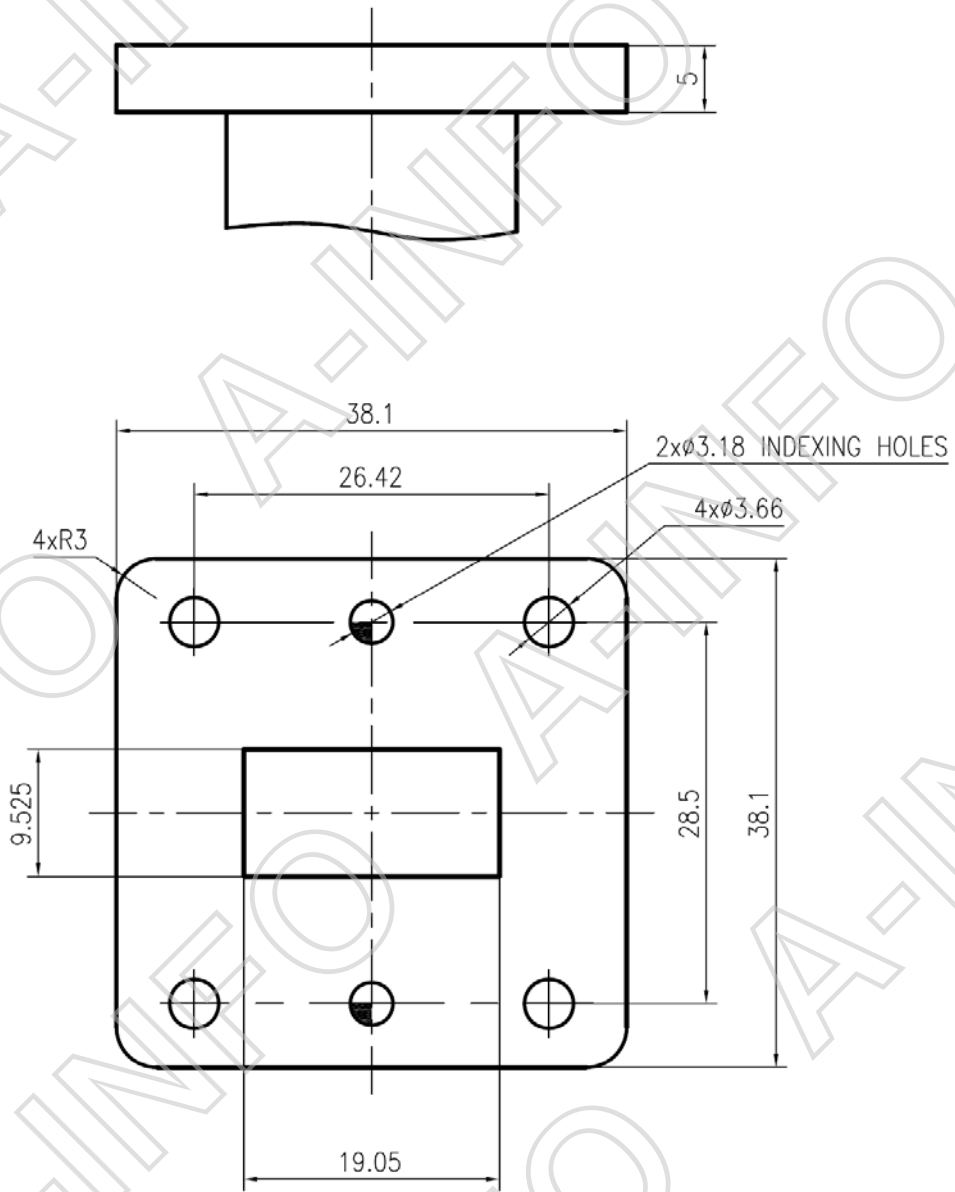
APF51C



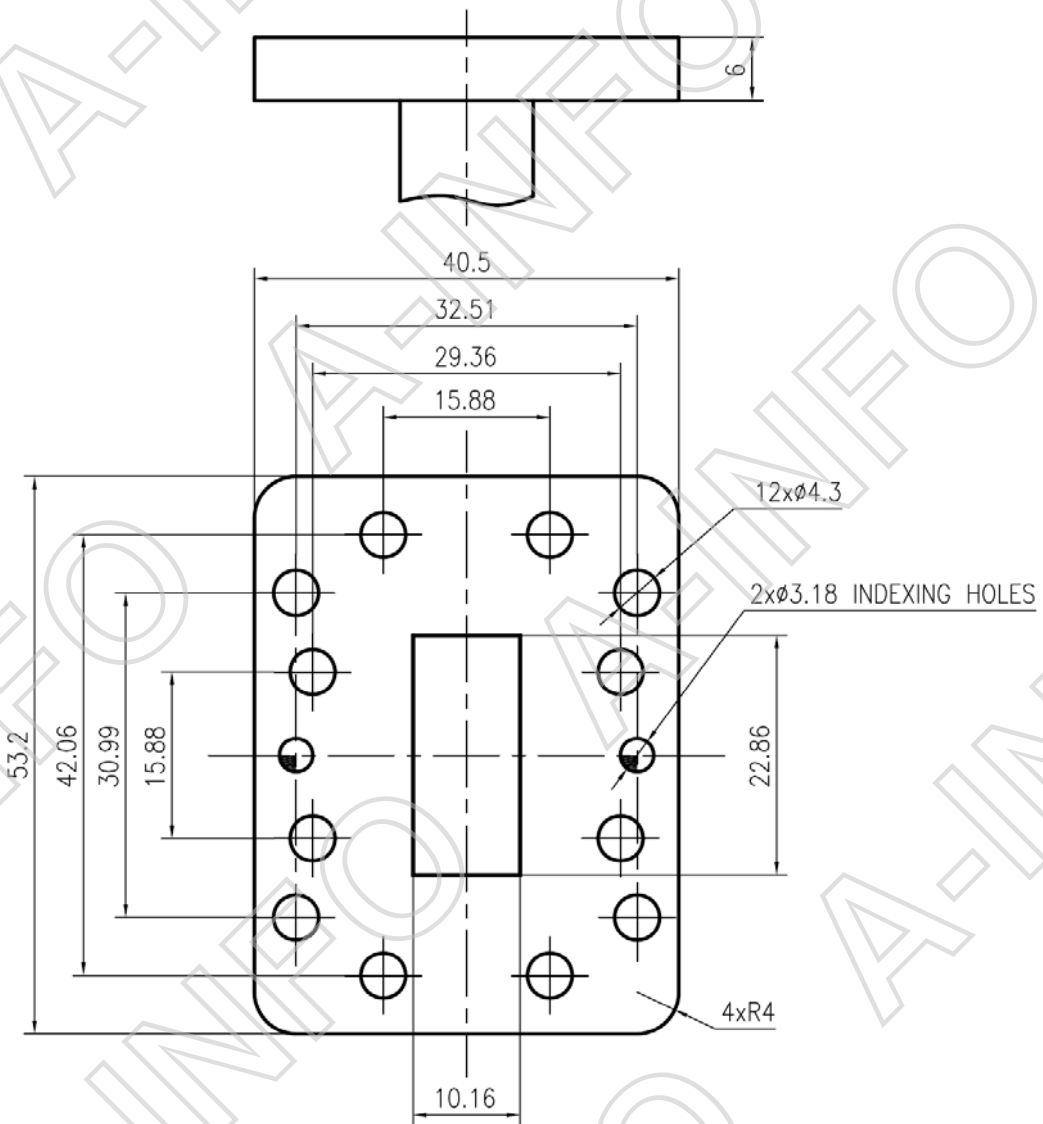
APF62



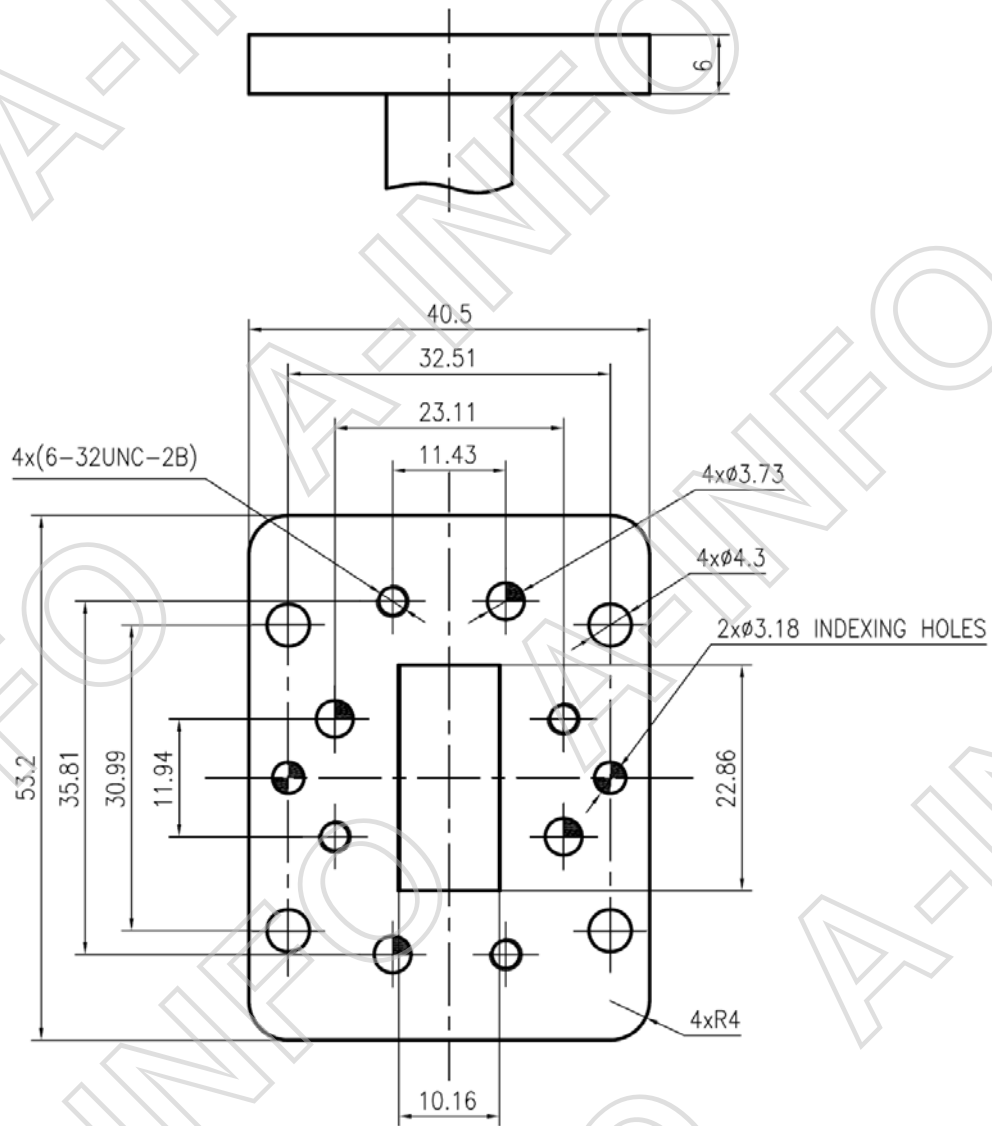
APF75A



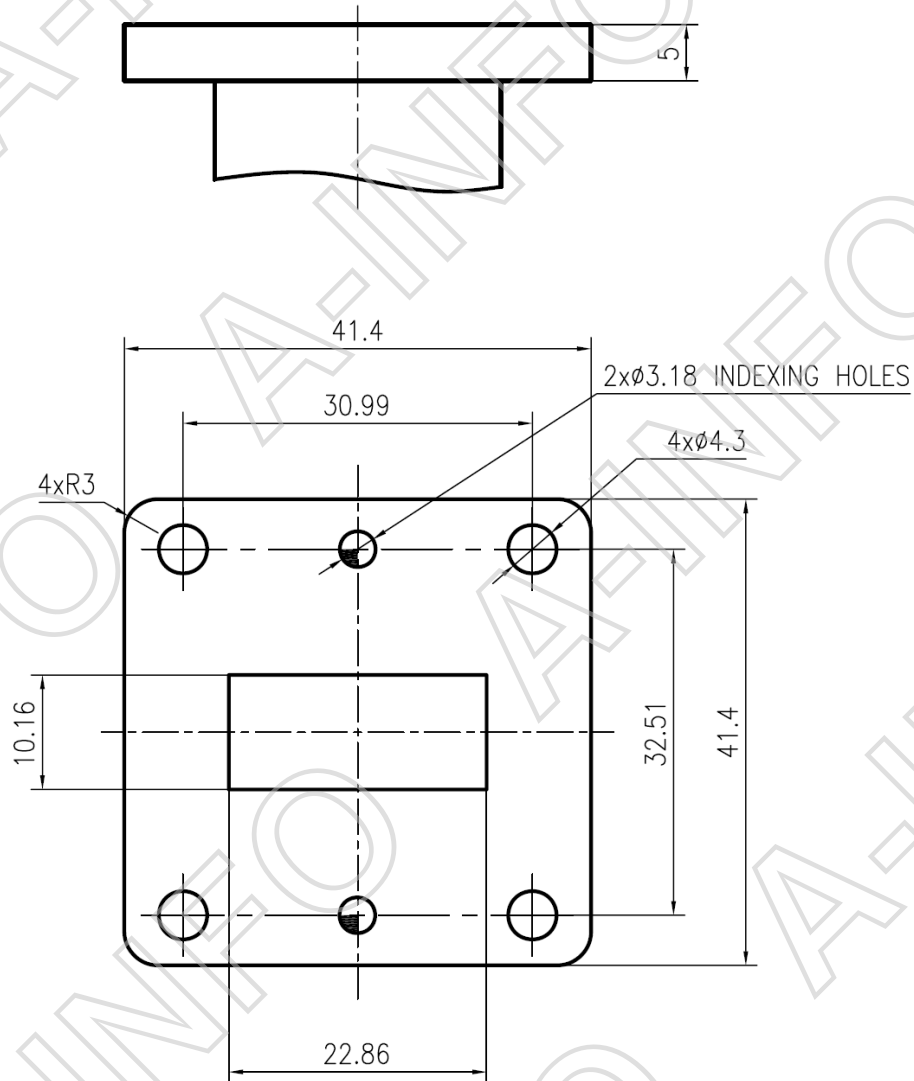
APF75B



APF90

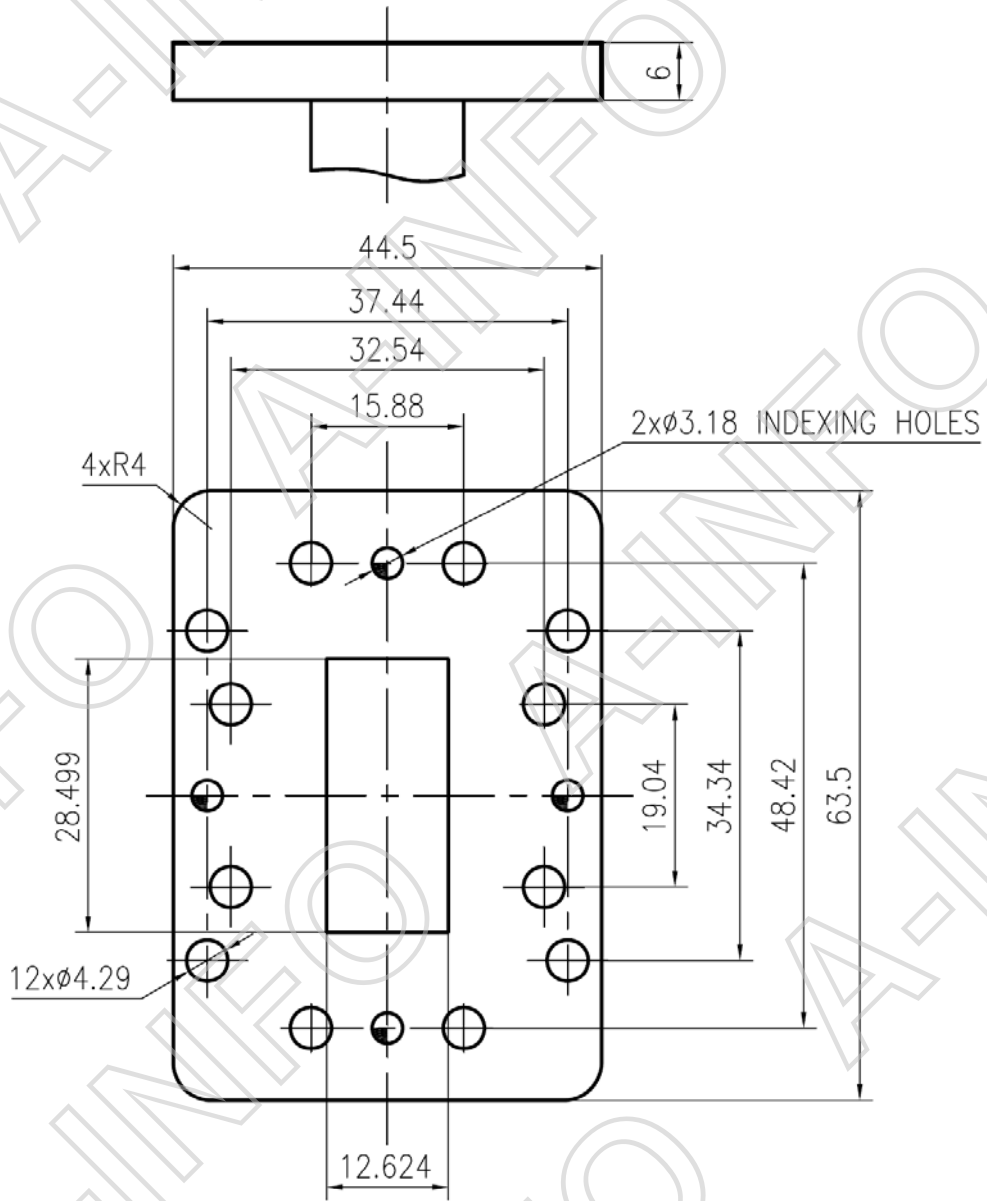


APF90A

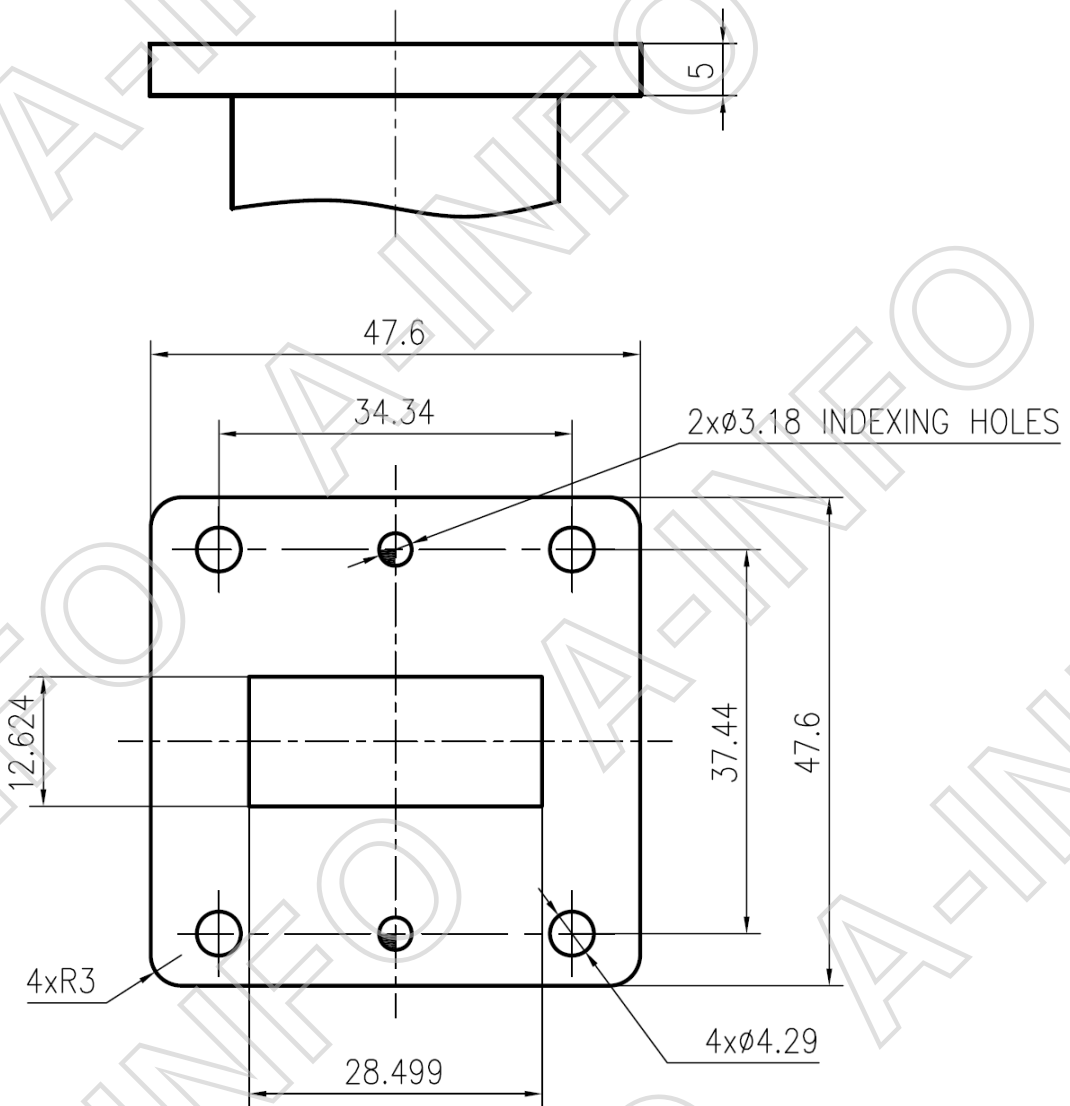


APF90B

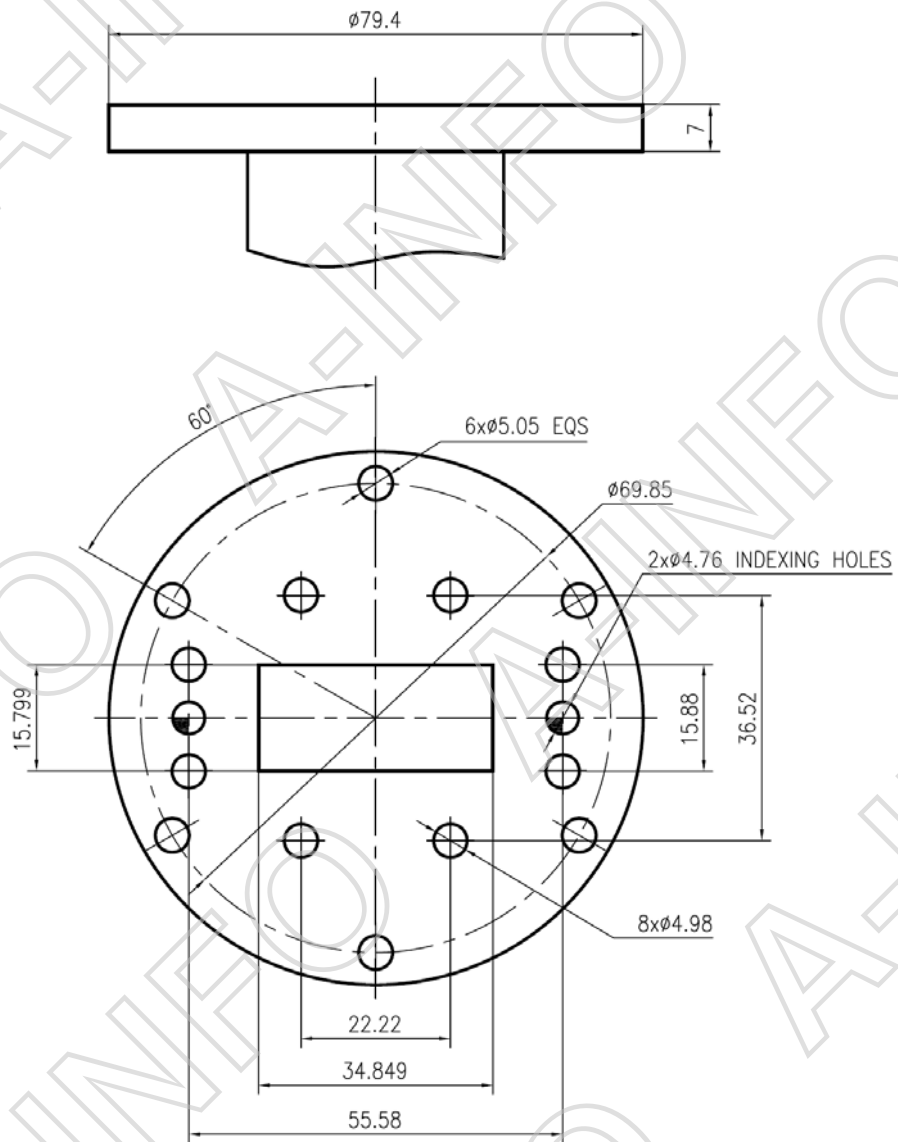




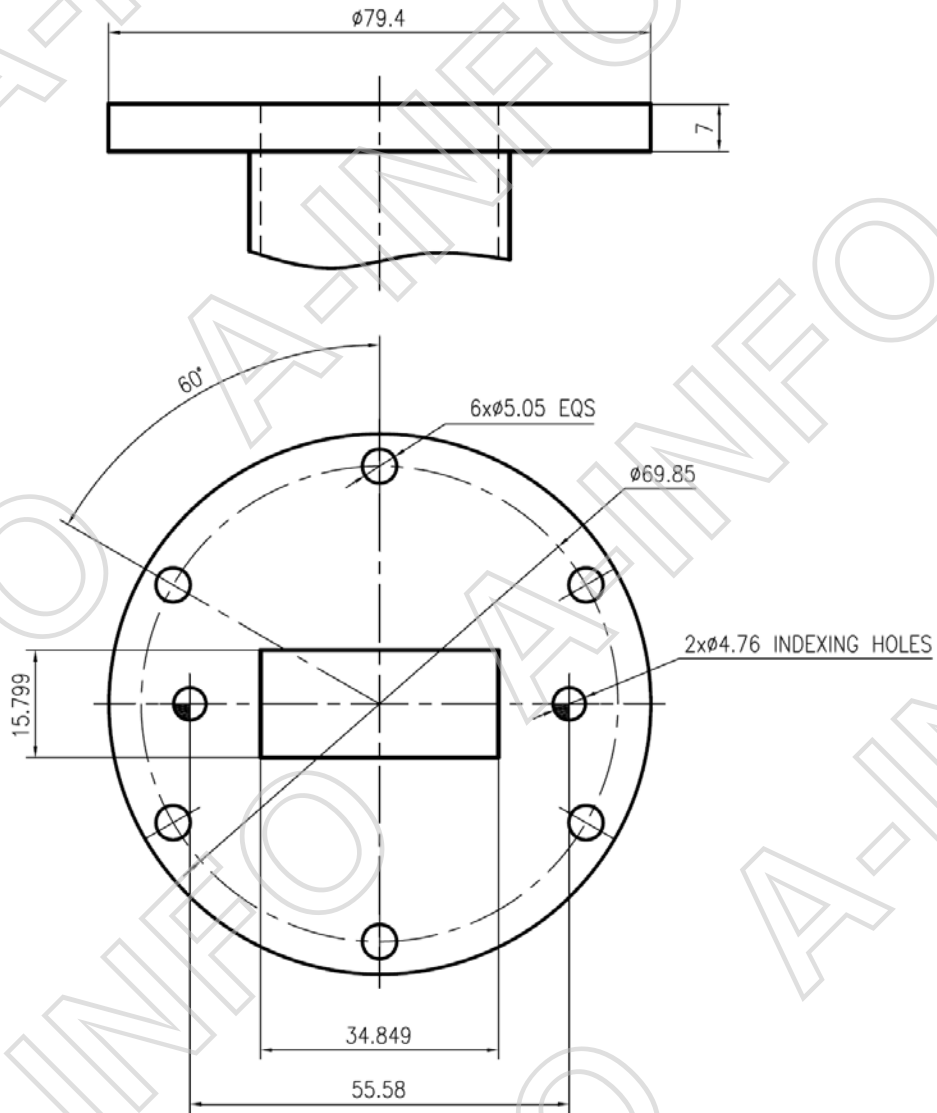
APF112



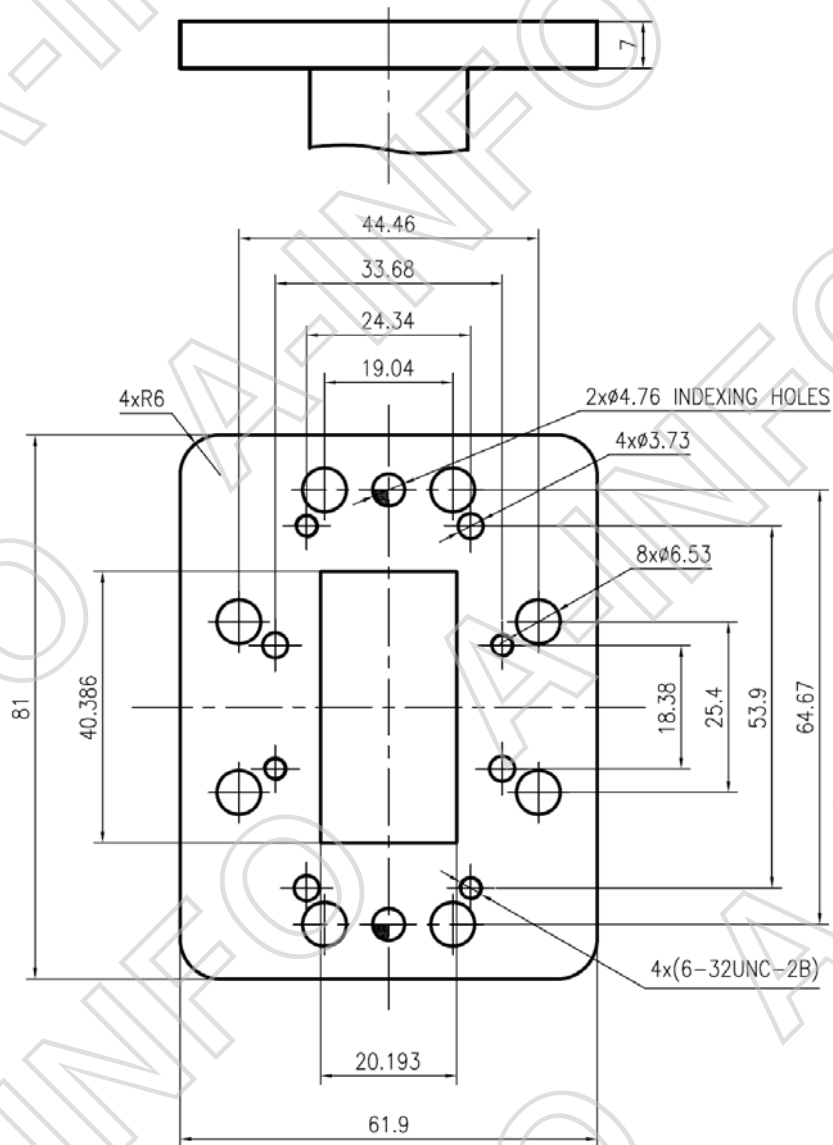
APF112B



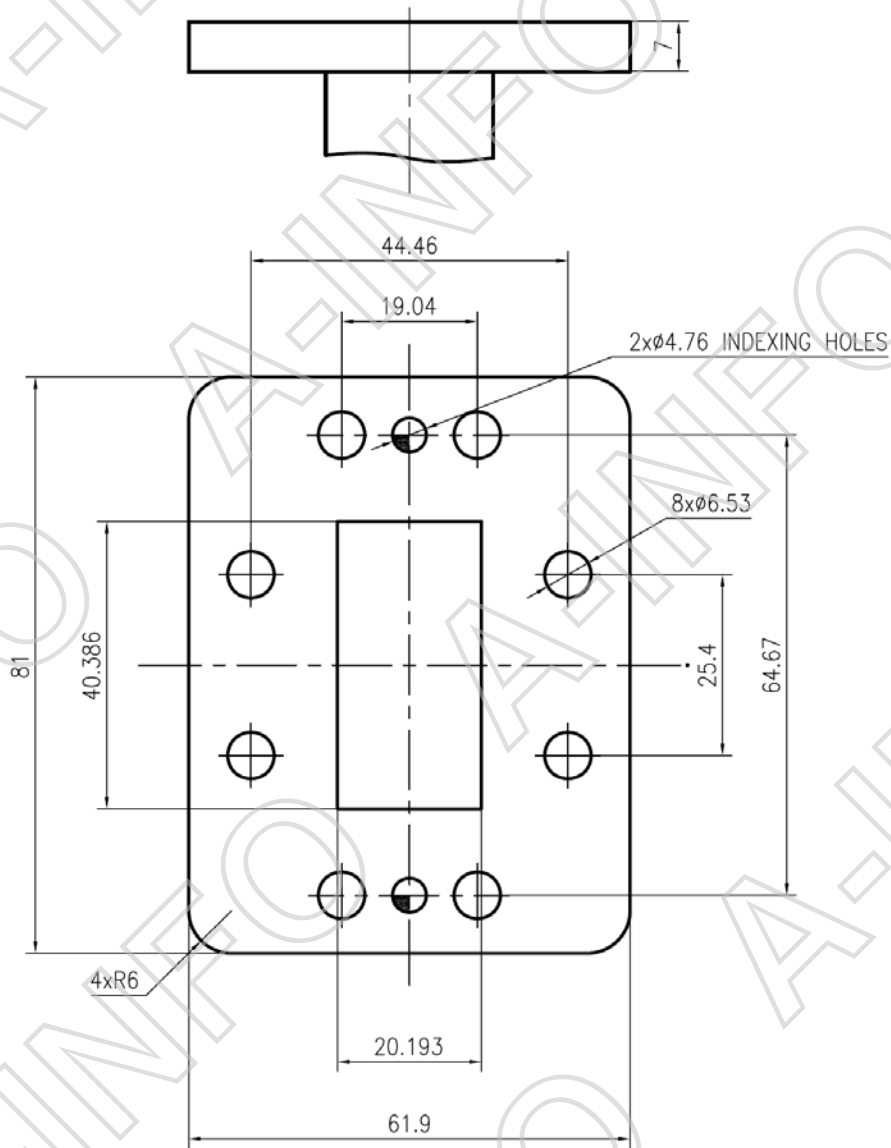
APF137



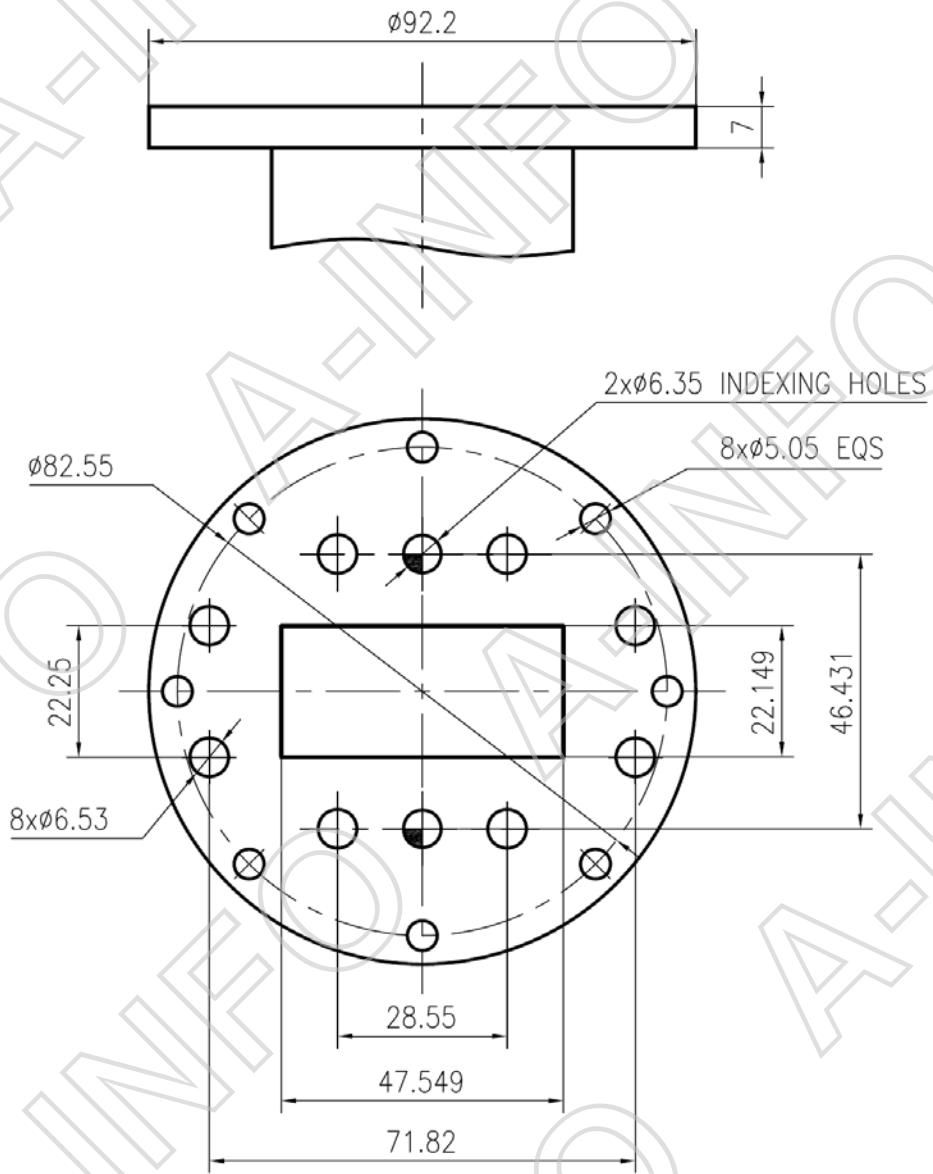
APF137C



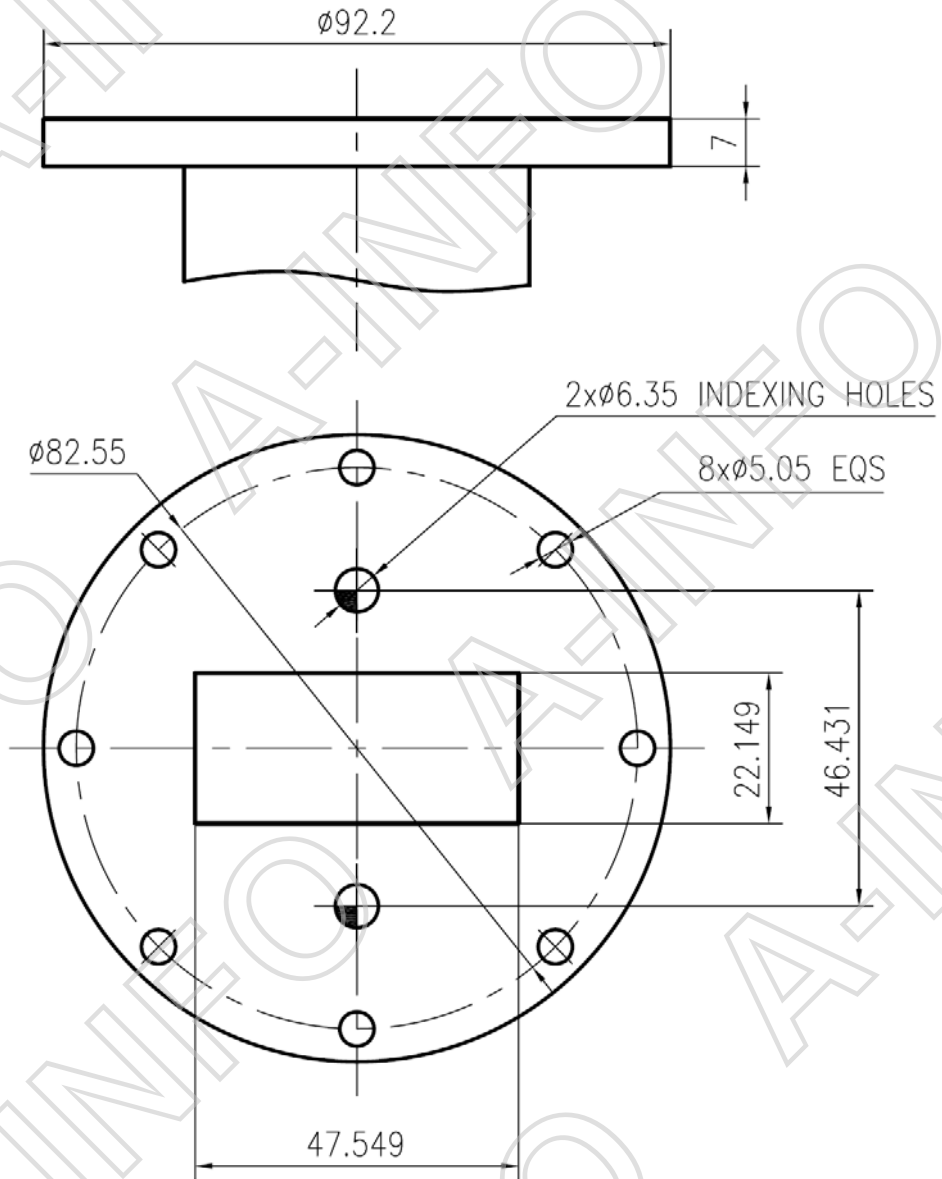
APF159



APF159B

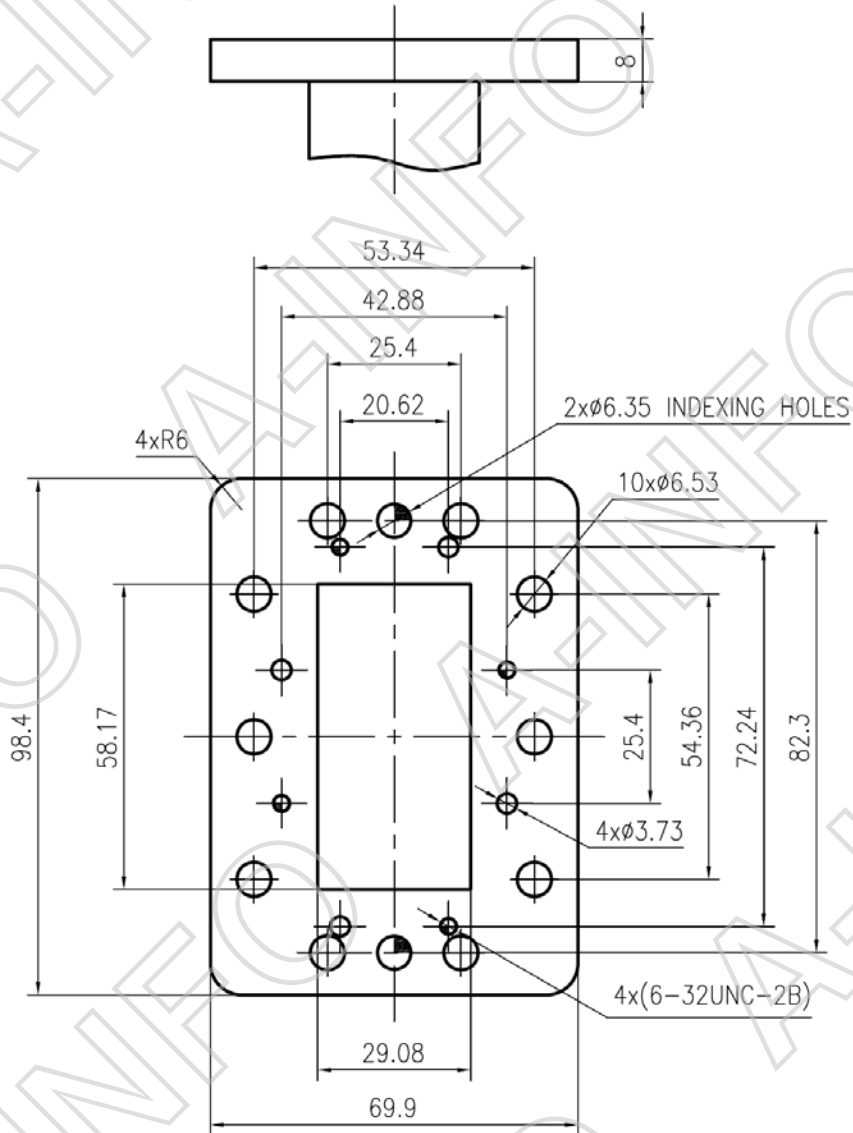


APF187

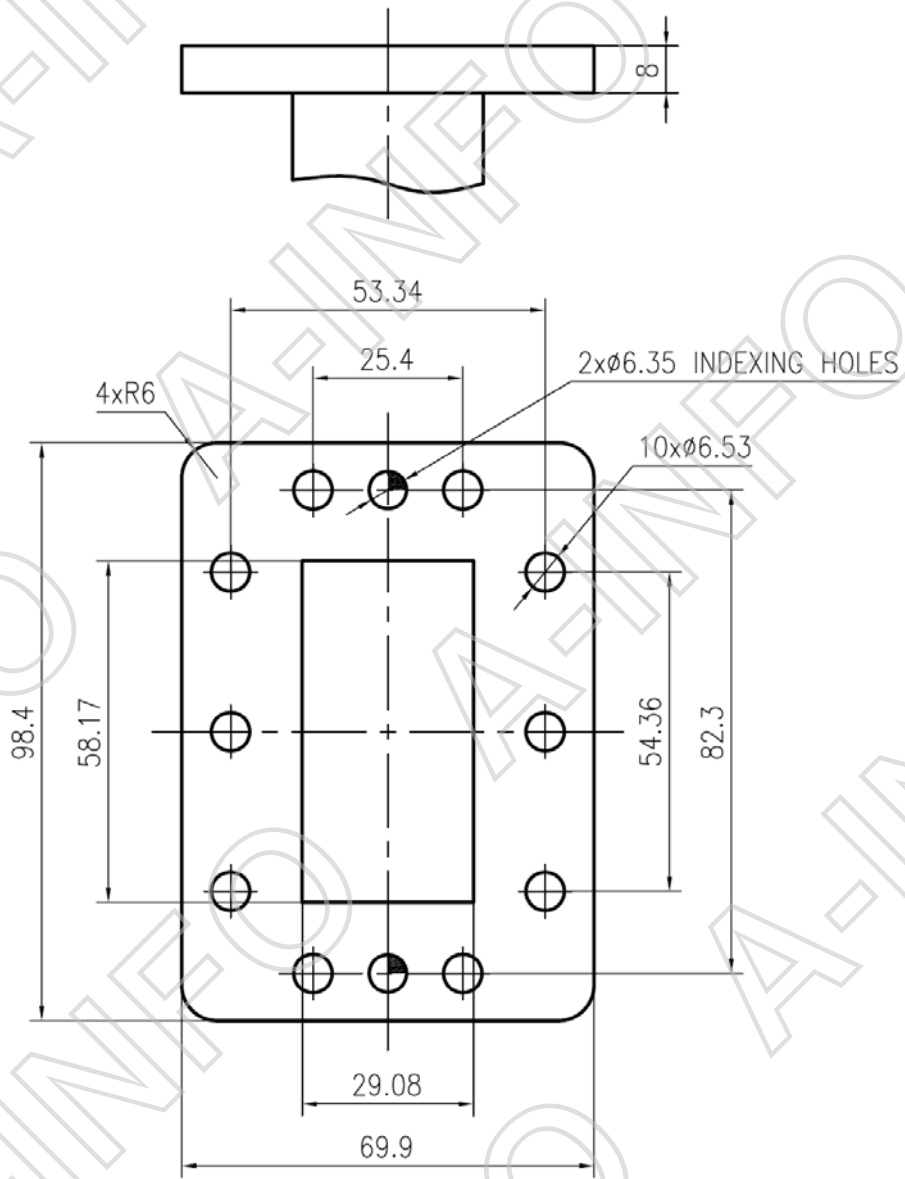


APF187C

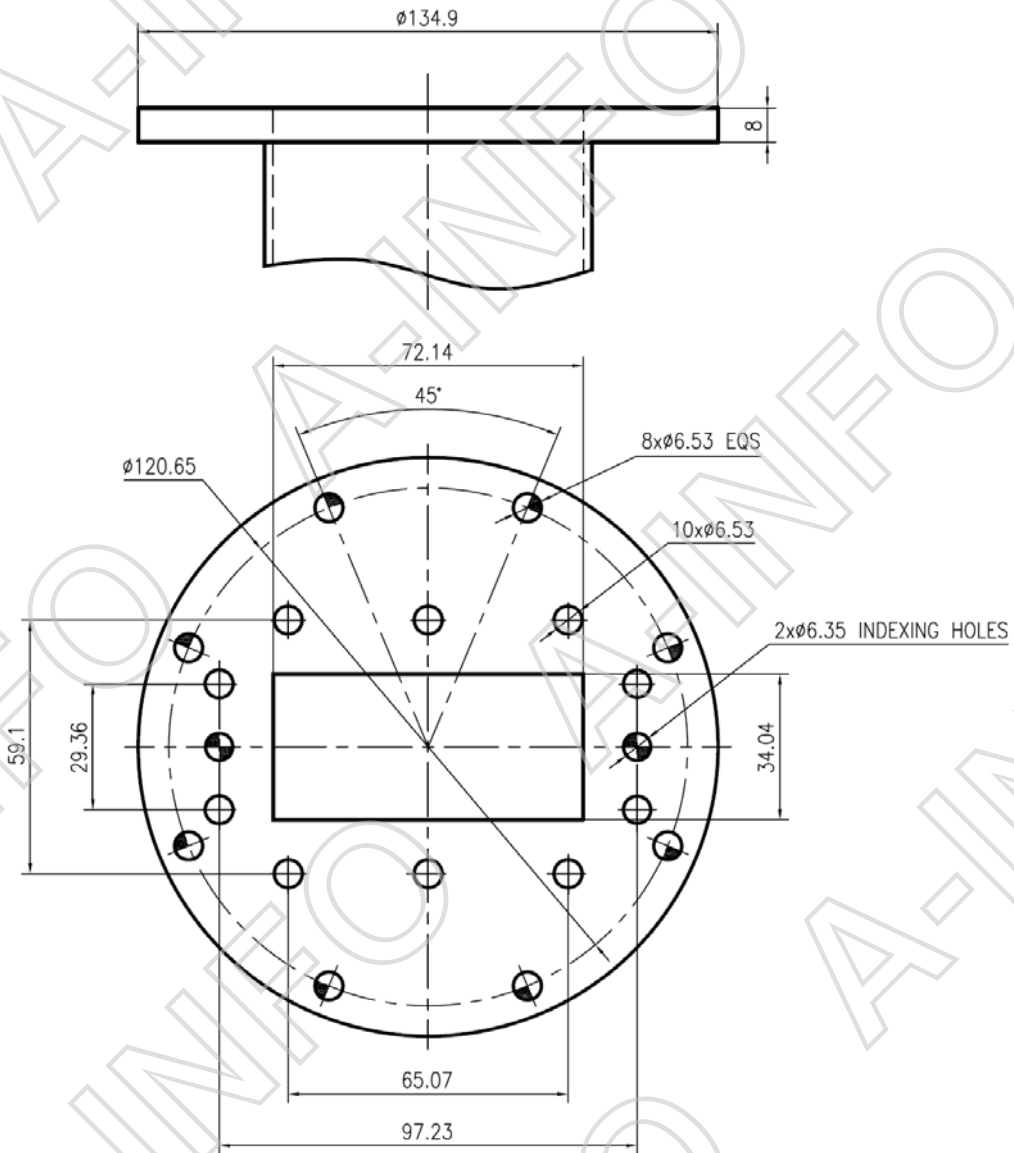




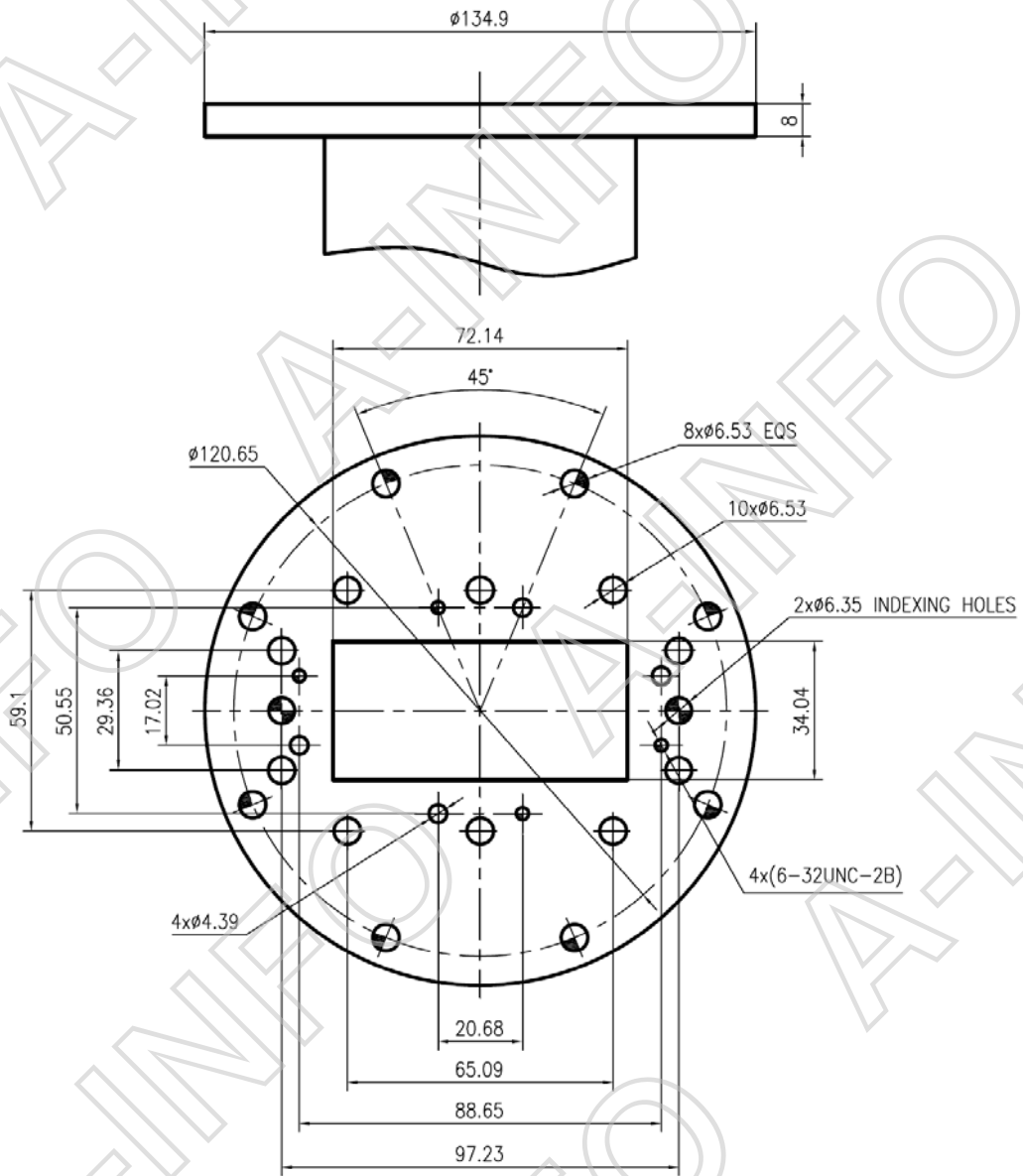
APF229



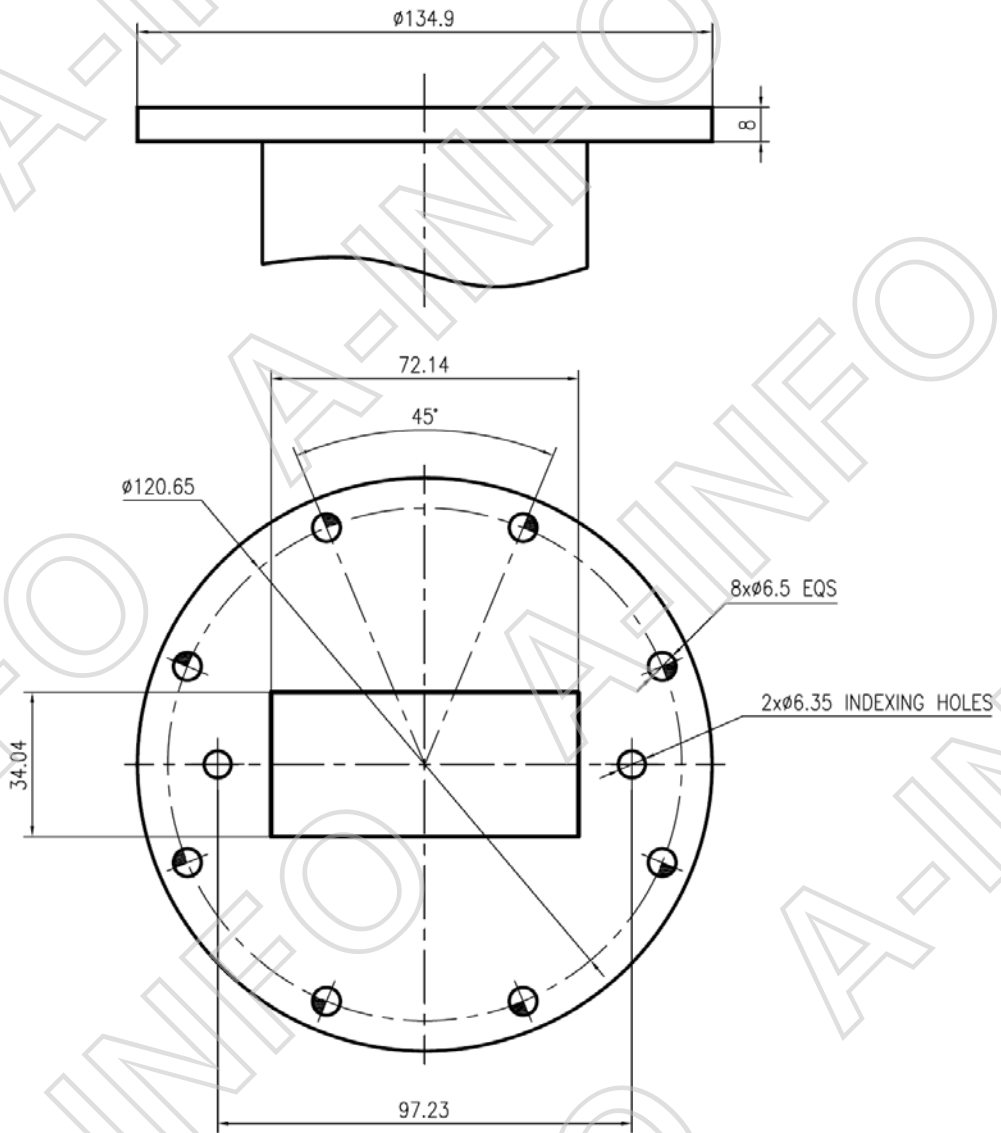
APF229B



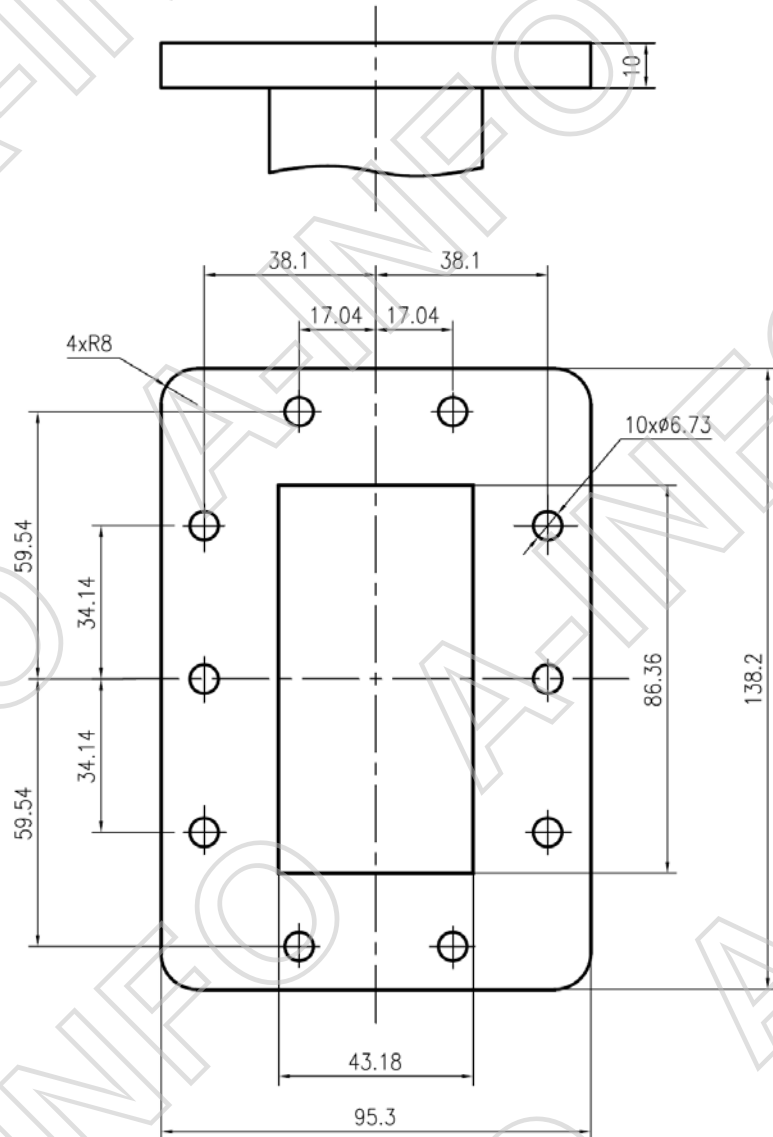
APF284



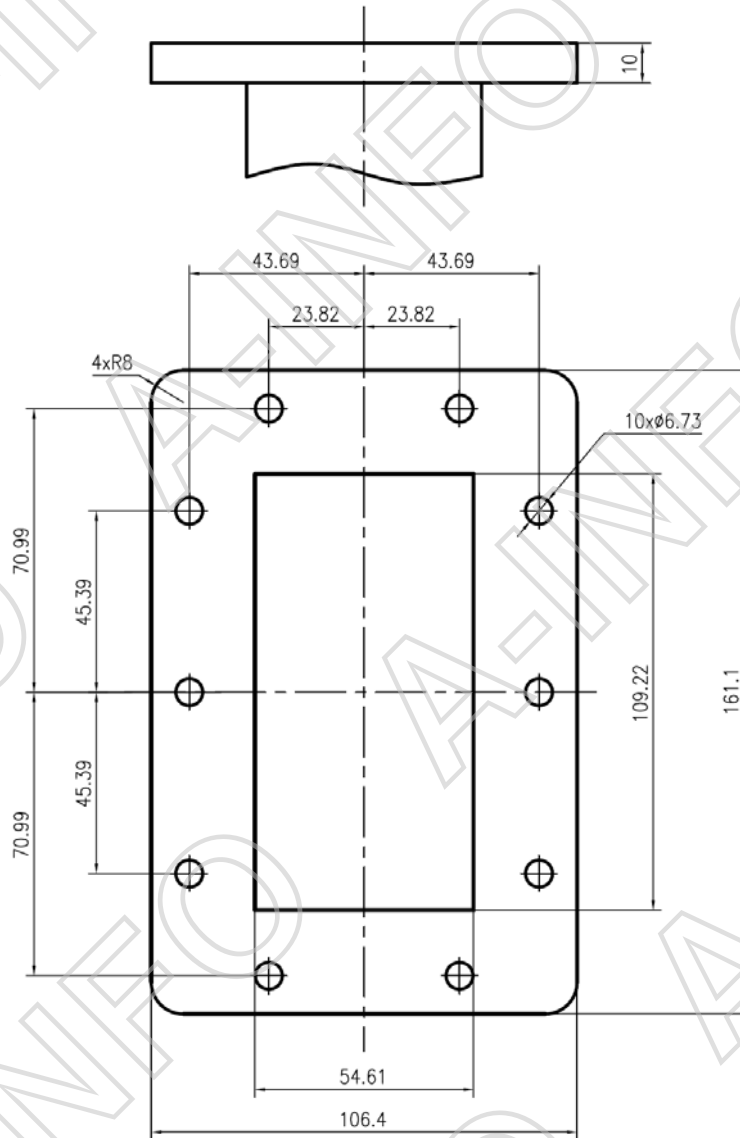
APF284B



APF284C



APF340



APF430