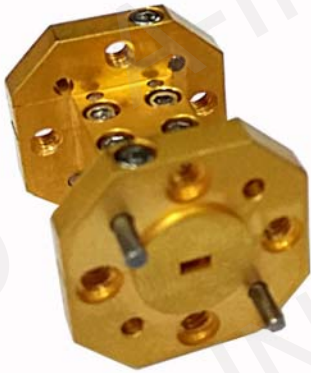
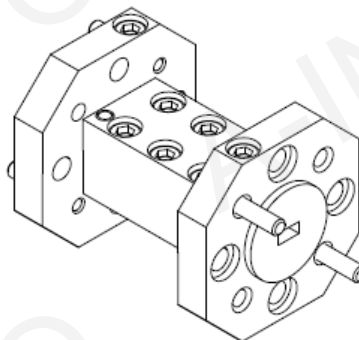
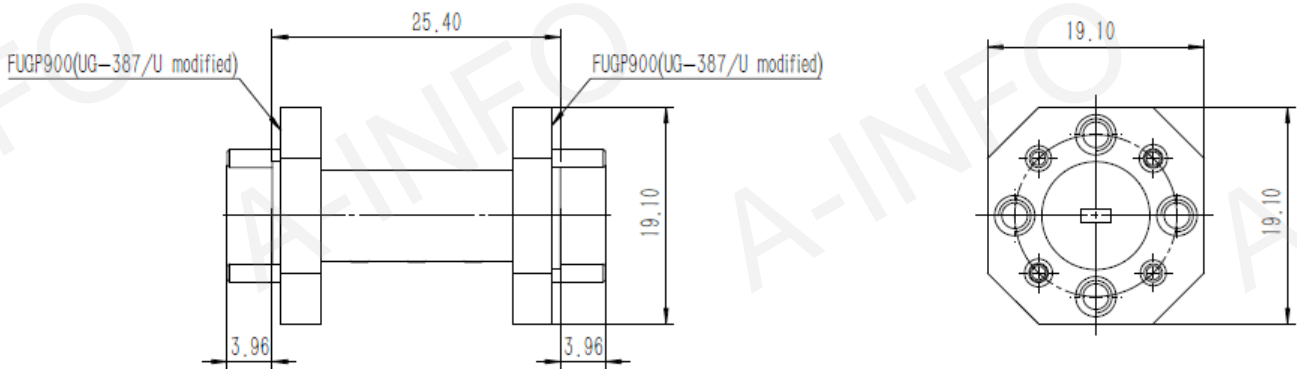


Technical Specification



EIA WR	WR10
Pass Band(GHz)	89-99
Rejection(dB)	50 Min. @87GHz
	30 Min. @102GHz
Insertion Loss(dB)	3.0 Max.
VSWR	2.0 Max.
Flange	FUGP900
Material	Cu
Size(mm)	19.1x19.1x25.4

Outline Drawing (Size: mm)



Test Results

