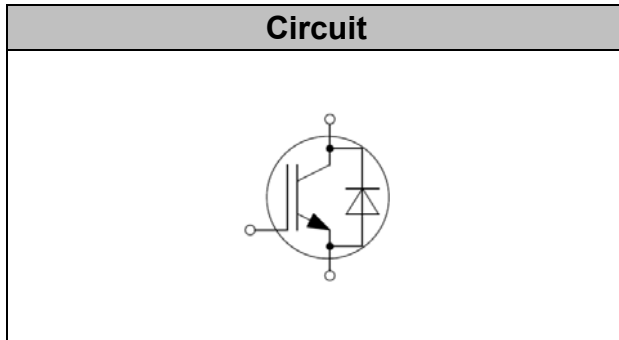




IGBT Discrete

V_{CE}	600	V
I_C	10	A
$V_{CE(SAT)} I_C=10A$	1.65	V



Applications

- Soft switching applications
- Airconditioning
- Motor drive inverter

Features

- High speed smooth switching device for hard & soft switching
- Maximum junction temperature 175°C
- Positive temperature coefficient
- High ruggedness, temperature stable
- Pb-free lead plating; RoHS compliant

Maximum Ratings

Parameter	Symbol	Value	Unit
Collector-Emitter Breakdown Voltage	V_{CE}	600	V
DC Collector Current, limited by T_{jmax} $T_C=25^\circ C$ value limited by bondwire $T_C=100^\circ C$	I_C	20 10	A
Diode Forward Current, limited by T_{jmax} $T_C=25^\circ C$ $T_C=100^\circ C$	I_F	20 10	A
Continuous Gate-Emitter Voltage	V_{GE}	± 20	V
Transient Gate-Emitter Voltage	V_{GE}	± 30	V
Turn off Safe Operating Area $V_{CE} \leq 600V$, $T_j \leq 150^\circ C$		40	A
Pulsed Collector Current, $V_{GE}=15V$, t_p limited by T_{jmax}	I_{CM}	40	A
Short Circuit Withstand Time, $V_{GE}=15V$, $V_{CE} \leq 400V$	T_{sc}	5	μs
Diode Pulsed Current, t_p limited by T_{jmax}	I_{Fpuls}	40	A
Power Dissipation, $T_j=175^\circ C, T_C=25^\circ C$	P_{tot}	110	W



Operating Junction Temperature	T_j	-40...+175	°C
Storage Temperature	T_s	-55...+150	°C
Soldering Temperature, wave soldering 1.6mm (0.063in.) from case for 10s		260	°C

Electrical Characteristics of the IGBT ($T_j = 25^\circ\text{C}$ unless otherwise specified):

Parameter	Symbol	Conditions	Min.	Typ.	Max.	Unit
Static						
Collector-Emitter Breakdown Voltage	BV_{CES}	$V_{GE}=0V, I_C=1mA$	600		-	V
Gate Threshold Voltage	$V_{GE(th)}$	$V_{GE}=V_{CE}, I_C=250\mu A$	4.1	5.0	5.7	V
Collector-Emitter Saturation Voltage	$V_{CE(sat)}$	$V_{GE}=15V, I_C=10A$ $T_j=25^\circ\text{C}$, $T_j=125^\circ\text{C}$ $T_j=150^\circ\text{C}$		1.65 1.95 2.05	1.95	V
Zero Gate Voltage Collector Current	I_{CES}	$V_{CE}=600V, V_{GE}=0V$ $T_j=25^\circ\text{C}$, $T_j=150^\circ\text{C}$			0.25	mA
Gate-Emitter Leakage Current	I_{GES}	$V_{CE}=0V, V_{GE}=\pm 20V$			± 200	nA
Transconductance	g_{fs}			10		S

Parameter	Symbol	Conditions	Min.	Typ.	Max.	Unit
Dynamic						
Input Capacitance	C_{ies}	$V_{CE}=25V, V_{GE}=0V,$ $f=1MHz$	-	0.99	-	nF
Output capacitance	C_{oes}		0.056			
Reverse Transfer Capacitance	C_{res}		-	0.03	-	
Gate Charge	Q_G	$V_{CC}=480V, I_C=10A,$ $V_{GE}=15V$	-	0.052	-	uC
Short circuit collector current	$I_{C(SC)}$	$V_{GE}=15V,$ $t_{SC} \leq 5\mu s$ $V_{CC}=400V,$ $T_{j, start}=25^\circ\text{C}$		85		A



Electrical Characteristics of the Diode (T_j= 25°C unless otherwise specified):

Parameter	Symbol	Conditions	Min.	Typ.	Max.	Unit
Static						
Diode Forward Voltage	V _F	I _F = 10A T _j = 25°C, T _j = 125°C T _j = 150°C		1.70 1.70 1.65		V

Switching Characteristic, Inductive Load

Parameter	Symbol	Conditions	Min.	Typ.	Max.	Unit
Dynamic , at T_j= 25°C						
Turn-on Delay Time	t _{d(on)}	T _j =25°C V _{CC} = 400V, I _C =10A, V _{GE} 0/15V, R _g =12 Ω	-	10	-	ns
Rise Time	t _r		-	18	-	ns
Turn-on Energy	E _{on}		-	0.42	-	mJ
Turn-off Delay Time	t _{d(off)}		-	41	-	ns
Fall Time	t _f		-	38	-	ns
Turn-off Energy	E _{off}		-	0.1	-	mJ
Dynamic , at T_j= 125°C						
Turn-on Delay Time	t _{d(on)}	T _j =25°C V _{CC} = 400V, I _C =10A, V _{GE} 0/15V, R _g =12 Ω	-	16	-	ns
Rise Time	t _r		-	22	-	ns
Turn-on Energy	E _{on}		-	0.64	-	mJ
Turn-off Delay Time	t _{d(off)}		-	60	-	ns
Fall Time	t _f		-	45	-	ns
Turn-off Energy	E _{off}		-	0.15	-	mJ
Dynamic , at T_j= 150°C						
Turn-on Delay Time	t _{d(on)}	T _j =25°C V _{CC} = 400V, I _C =10A, V _{GE} 0/15V, R _g =12 Ω	-	18	-	ns
Rise Time	t _r		-	25	-	ns
Turn-on Energy	E _{on}		-	0.75	-	mJ
Turn-off Delay Time	t _{d(off)}		-	70	-	ns
Fall Time	t _f		-	48	-	ns
Turn-off Energy	E _{off}		-	0.18	-	mJ



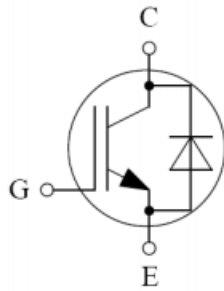
Electrical Characteristics of the DIODE

Parameter	Symbol	Conditions	Min.	Typ.	Max.	Unit
Dynamic , at T_j= 25°C						
Reverse Recovery Current	I _{rr}	I _F =10A, V _R =400V -di/dt= 150A/μs,	-	6	-	A
Reverse Recovery Charge	Q _{rr}		-	0.30	-	uC
Reverse Recovery Energy	E _{rec}		-	0.04		mJ
Dynamic , at T_j= 125°C						
Reverse Recovery Current	I _{rr}	I _F =10A, V _R =400V -di/dt= 150A/μs,	-	10	-	A
Reverse Recovery Charge	Q _{rr}		-	0.58	-	uC
Reverse Recovery Energy	E _{rec}		-	0.08		mJ
Dynamic , at T_j= 150°C						
Reverse Recovery Current	I _{rr}	I _F =10A, V _R =400V -di/dt= 150A/μs,	-	12	-	A
Reverse Recovery Charge	Q _{rr}		-	0.65	-	uC
Reverse Recovery Energy	E _{rec}		-	0.09		mJ

Thermal Resistance

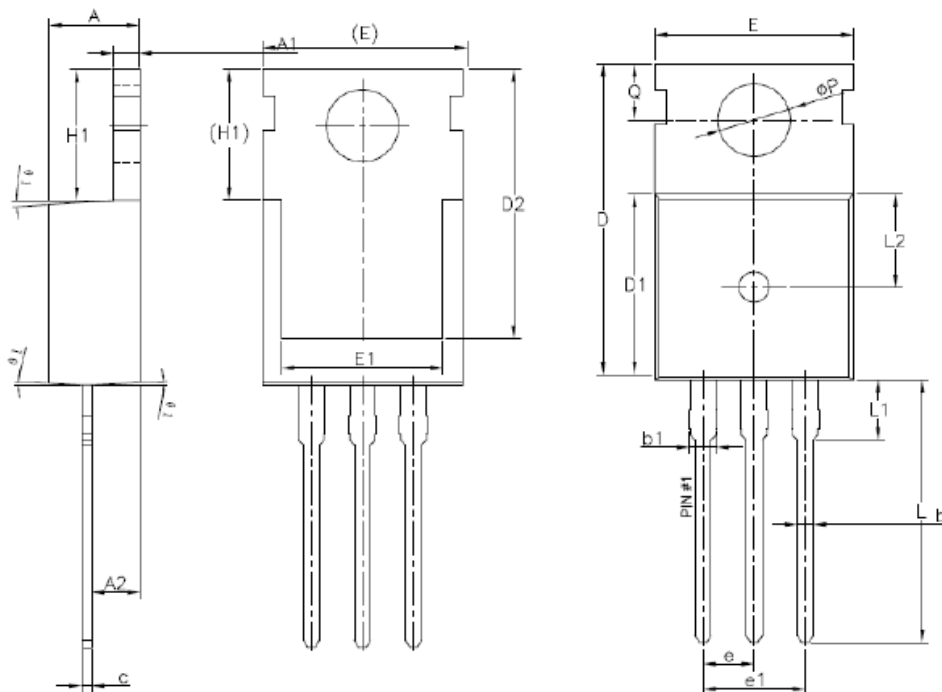
Parameter	Symbol	Max. Value	Unit
IGBT Thermal Resistance, Junction - Case	R _{th(j-c)}	1.35	K/W
Diode Thermal Resistance, Junction - Case	R _{th(j-c)}	1.90	K/W
Thermal Resistance, Junction - Ambient	R _{th(j-a)}	62	K/W

● Circuit Diagram



● Package Outline Information

CASE: TO-220 package information



SYMBOL	MIN	NOM	MAX
A	4.40	4.50	4.60
A1	1.27	1.30	1.33
A2	2.30	2.40	2.50
b	0.70	—	0.90
b1	1.27	—	1.40
c	0.45	0.50	0.60
D	15.30	15.70	16.10
D1	9.10	9.20	9.30
D2	13.10	—	13.70
E	9.70	9.90	10.20
E1	7.80	8.00	8.20
e	2.49	2.54	2.59
e1	5.03	5.08	5.12
H1	6.30	6.50	6.70
L	12.78	13.08	13.38
L1	3.30	—	3.50
L2	4.50	4.60	4.70
ϕP	3.55	3.60	3.65
Q	2.73	—	2.87
$\theta 1$	1°	3°	5°

