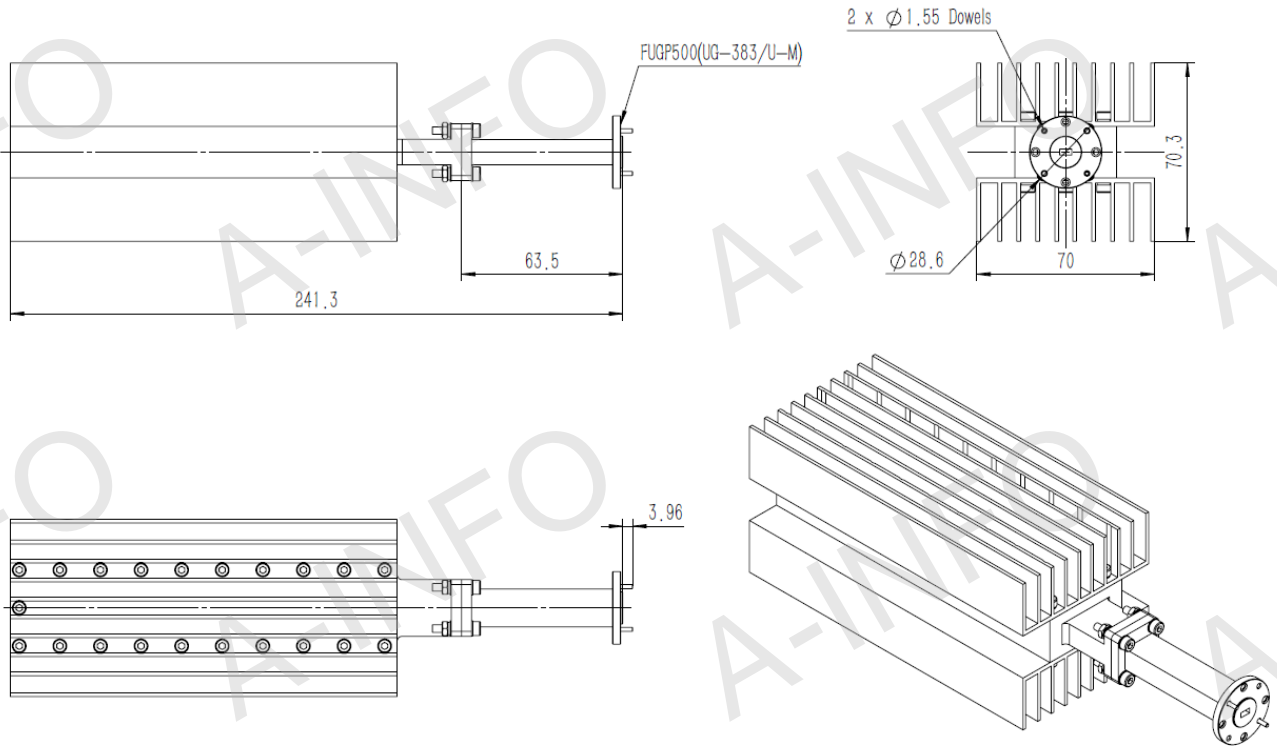


## Technical Specification

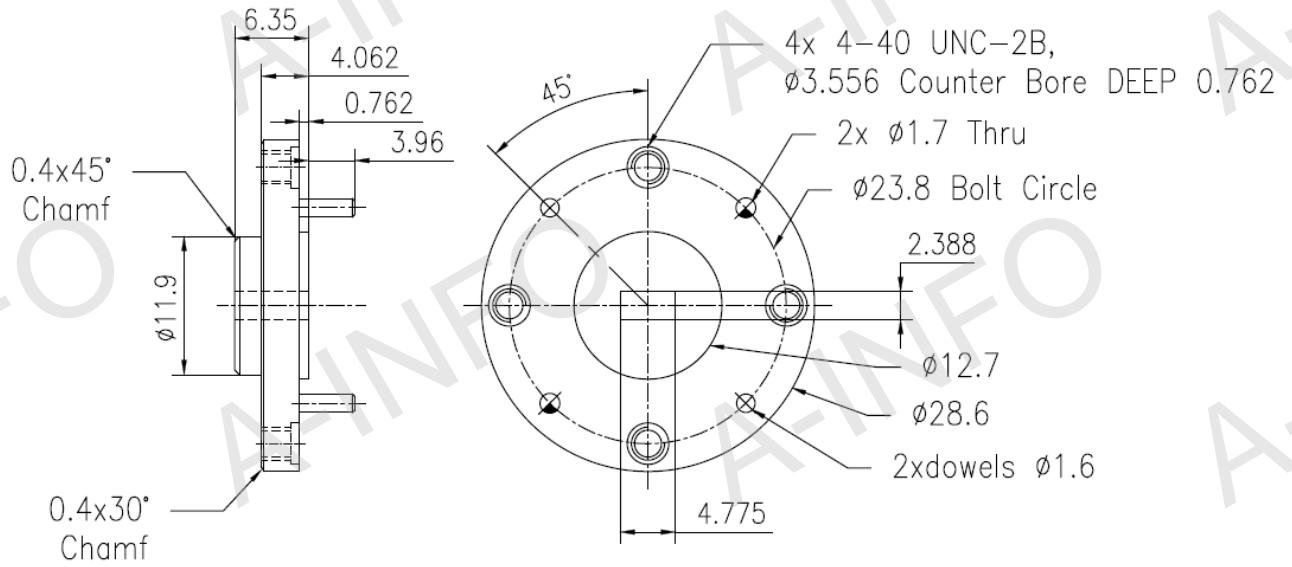


|                      |                     |
|----------------------|---------------------|
| EIA WR               | WR19                |
| Frequency Range(GHz) | 40.0-60.0           |
| VSWR                 | 1.2:1 Max.          |
| Average Power(W)     | 400 CW              |
| Peak Power(KW)       | 50                  |
| Flange               | FUGP500(UG-383/U-M) |
| Material             | Al                  |
| Size(mm) LxBxC       | 241.3 x 70 x 70.3   |
| Net Weight(Kg)       | 0.85 Around         |

## Outline Drawing (Size: mm)



## Flange Drawing (Size: mm)



FUGP500  
(equivalent to UG-383/U-M)

## Test Results

### VSWR

