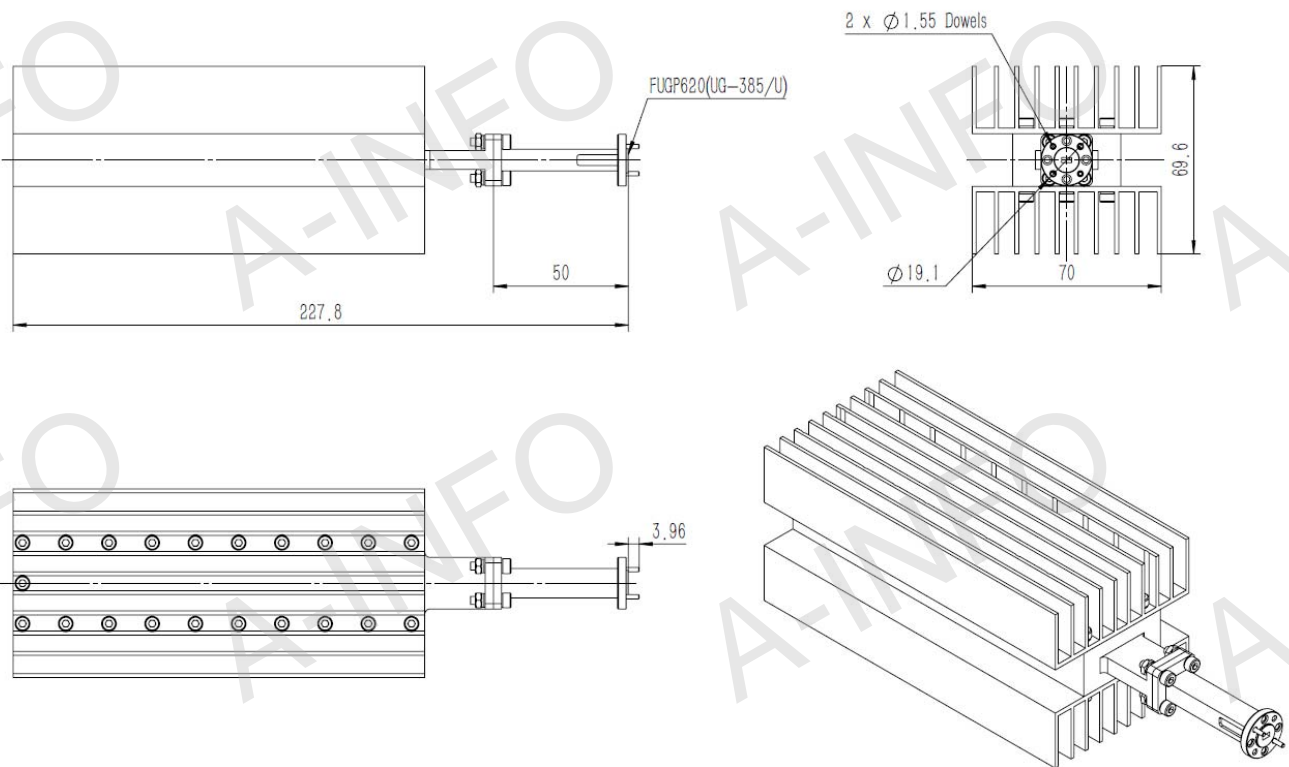


Technical Specification

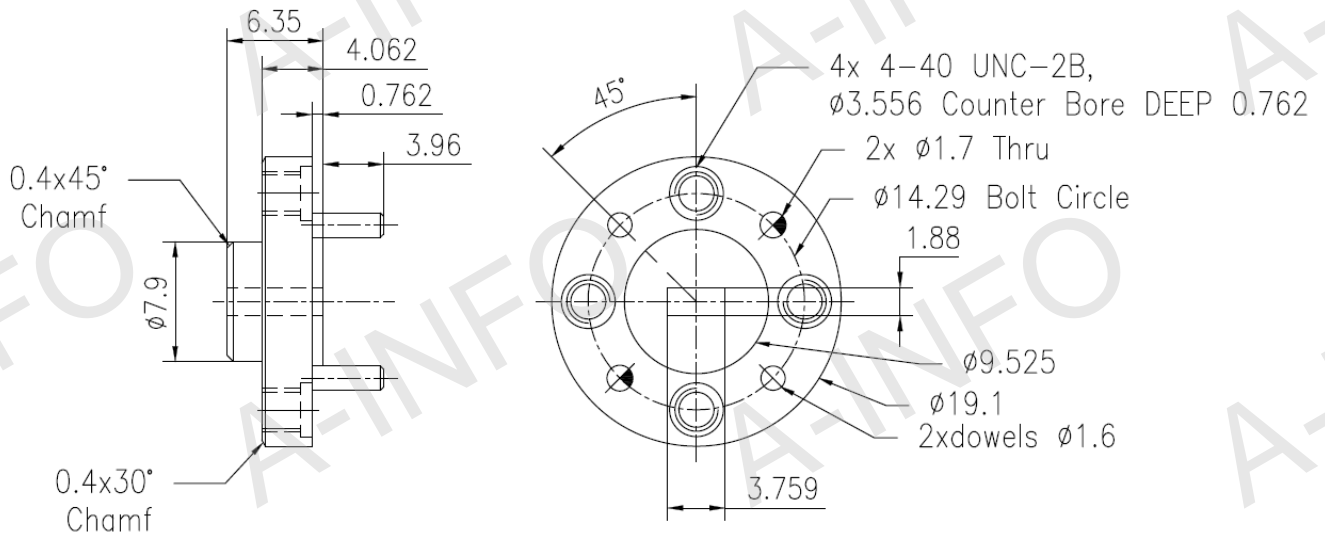


EIA WR	WR15
Frequency Range(GHz)	50.0-75.0
VSWR	1.2:1 Max.
Average Power(W)	250 CW
Peak Power(KW)	50
Flange	FUGP620 (UG-385/U)
Material	Al
Size(mm) L x B x C	227.8 x 70 x 69.6
Net Weight(Kg)	0.76 Around

Outline Drawing (Size: mm)



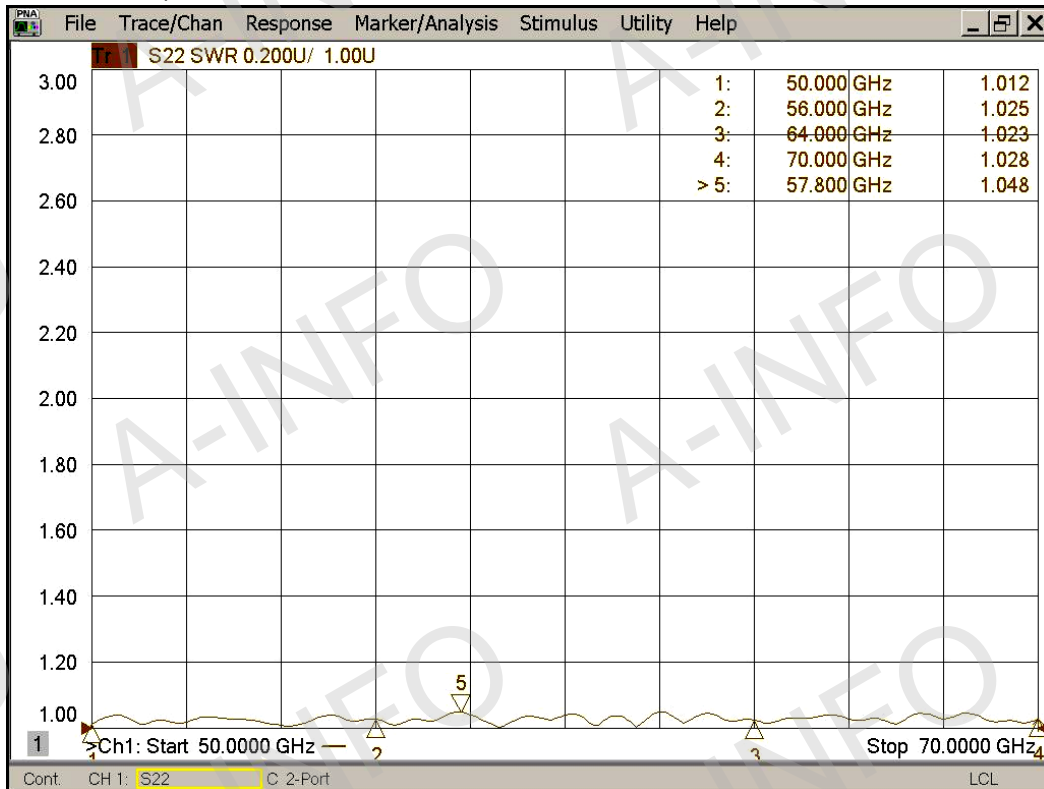
Flange Drawing (Size: mm)



FUGP620
(equivalent to UG-385/U)

Test Results

VSWR (@50-70GHz)



VSWR (@70-75GHz)

