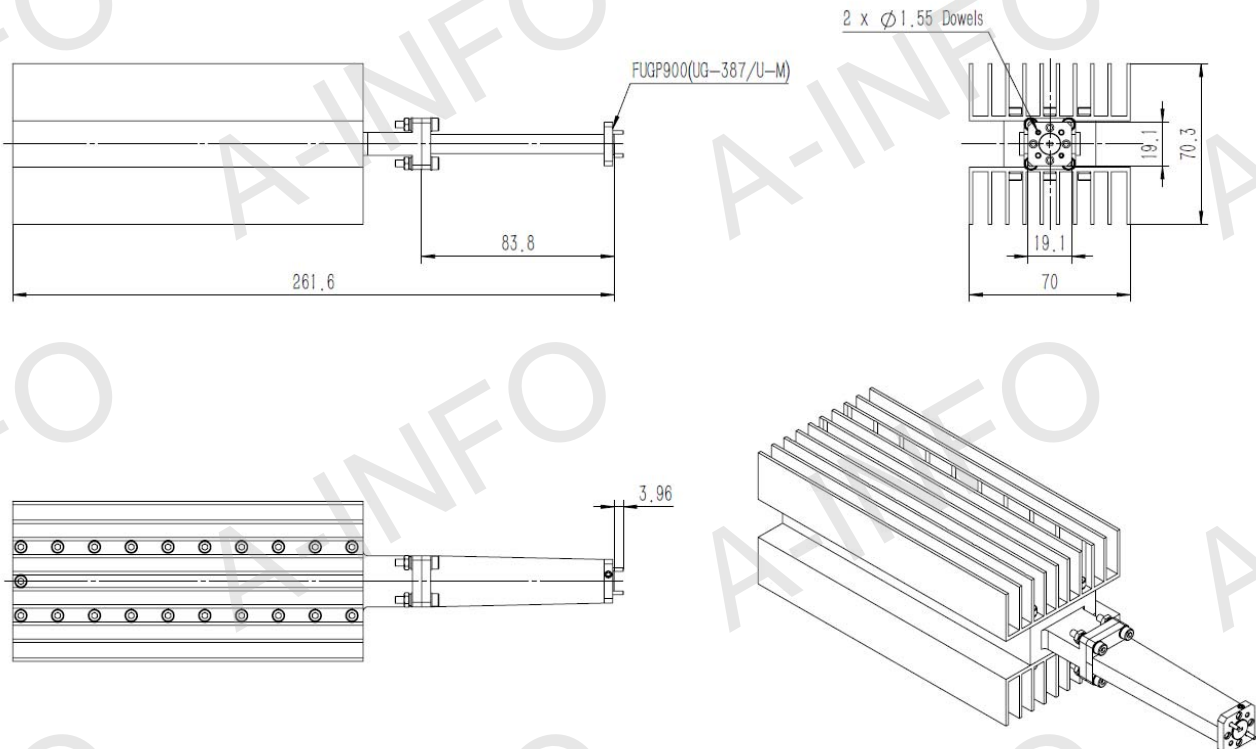


Technical Specification

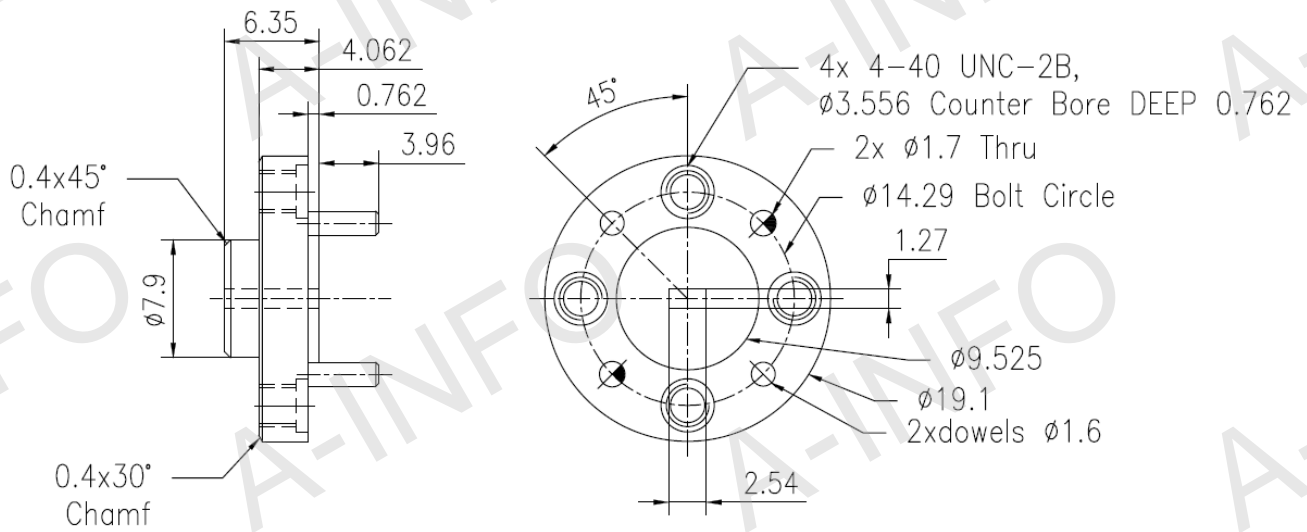


EIA WR	WR10
Frequency Range(GHz)	75.0-110.0
VSWR	1.2:1 Max.
Average Power(W)	200 CW
Peak Power(KW)	30
Flange	FUGP900(UG-387/U-M)
Material	Al
Size(mm) LxBxC	261.6 x 70 x 70.3
Net Weight(Kg)	0.85 Around

Outline Drawing (Size: mm)



Flange Drawing (Size: mm)



FUGP900
(equivalent to UG-387/U-M)

Test Results

VSWR

