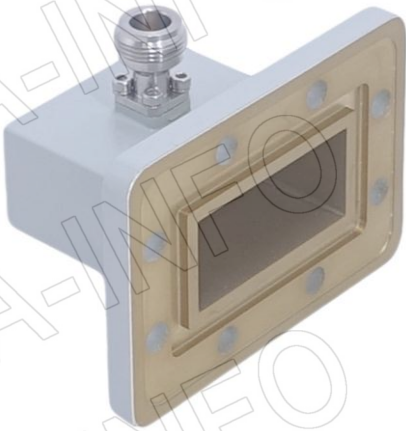


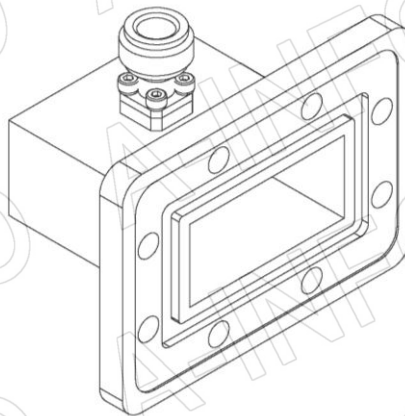
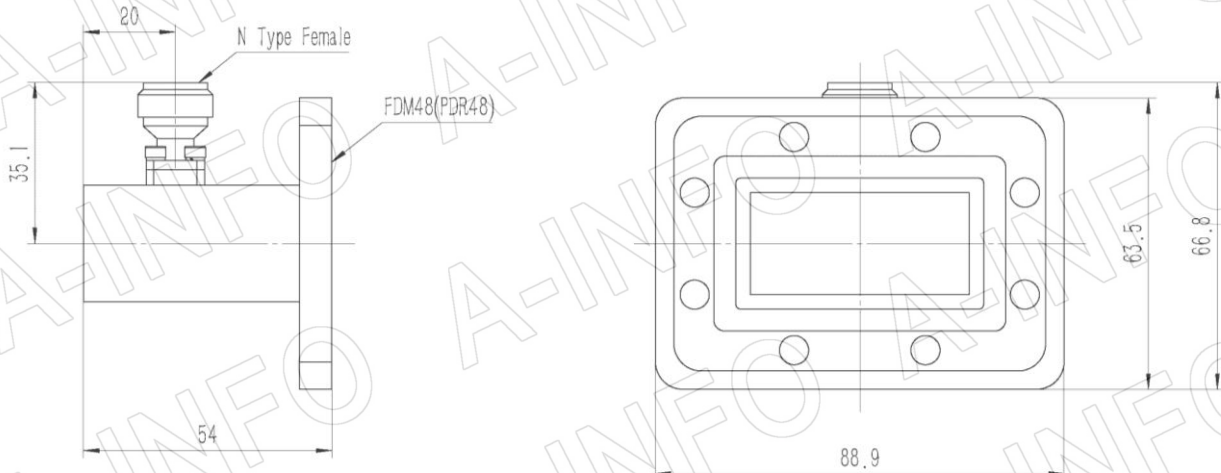
For reference only. See data sheet for the detailed specifications.

## Technical Specification



EIA WR	WR187
Frequency Range(GHz)	3.95 – 5.85
Insertion Loss(dB)	0.15 Max.
VSWR	1.25:1 Max.
Flange	FDM48(PDR48)
Connector	N-Female
Average Power(W CW)	150 Max.
Peak Power(KW)	3
Material	Al
Size(mm)	54 x 88.9 x 66.8
Net Weight(Kg)	0.14 Around

## Outline Drawing (Size: mm)



**AINFO Inc.**

China(Beijing): Tel: (+86) 10-6266-7326,  
 China(Chengdu): Tel: (+86) 28-8519-2786,  
 USA: Tel: (+1) 949-639-9688,

Page 1 of 3

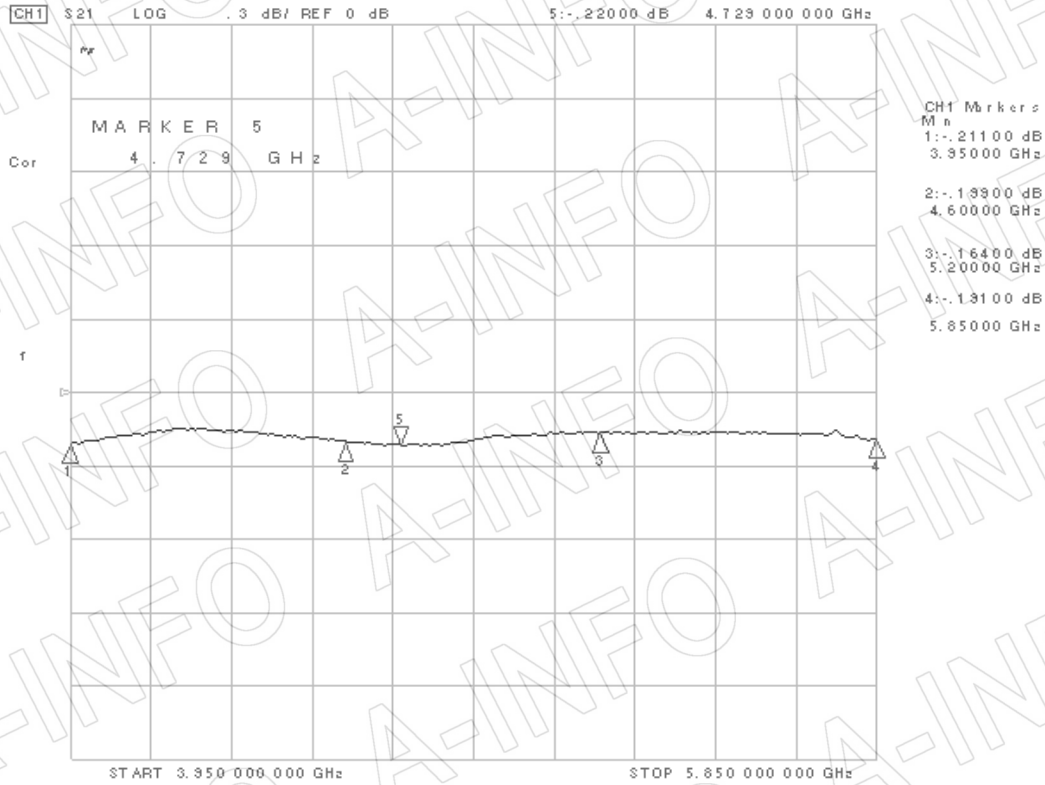
(+86) 10-6266-7327 Fax: (+86) 10-6266-7379  
 (+86) 28-8519-3044 Fax: (+86) 28-8519-3068  
 (+1) 949-639-9608 Fax: (+1) 949-639-9670

Website: [www.ainfoinc.com](http://www.ainfoinc.com)  
 Email: [sales@ainfoinc.com](mailto:sales@ainfoinc.com)



## Test Results

Insertion Loss (Test with two adapters back to back)



## VSWR

