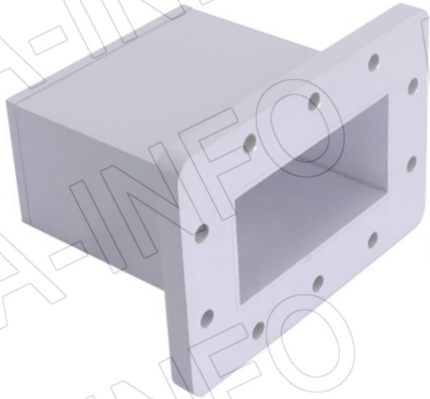


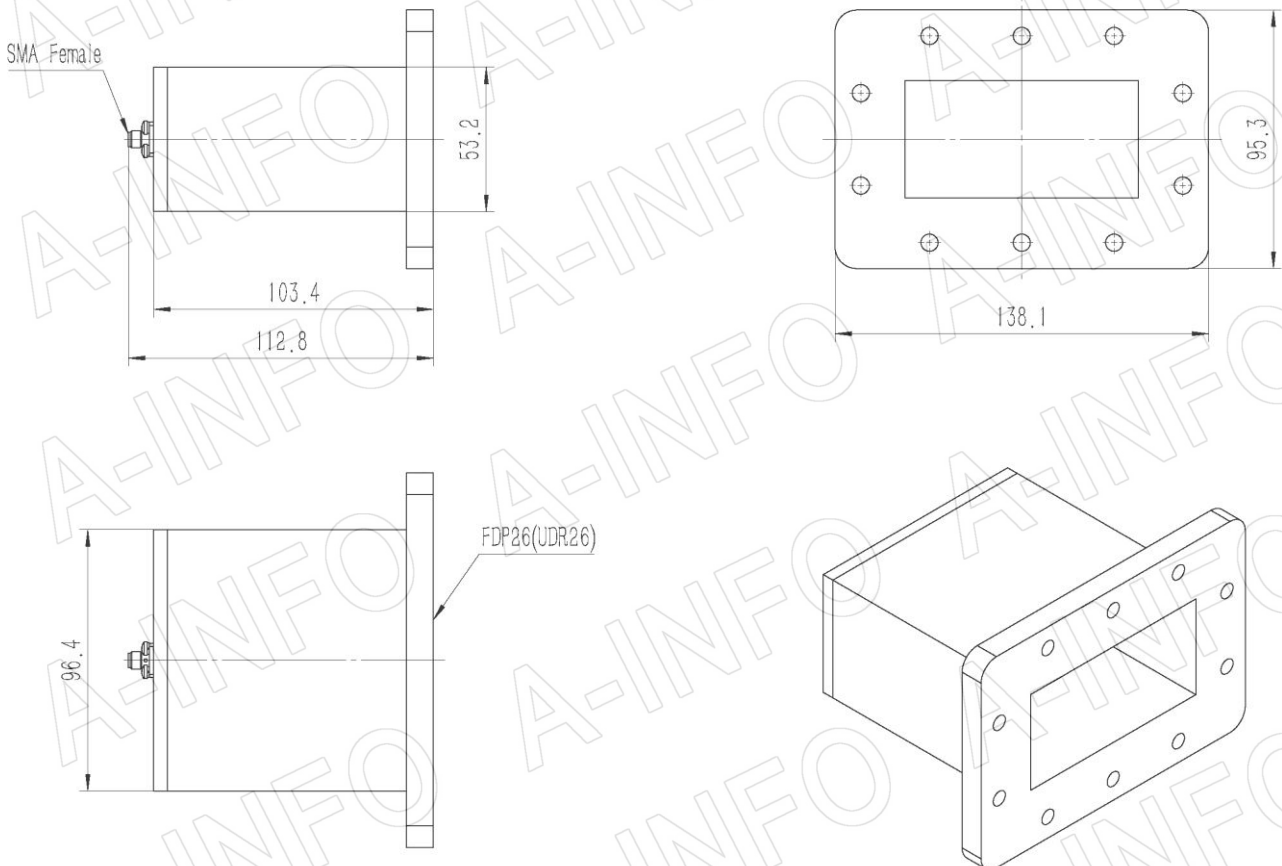
For reference only. See data sheet for the detailed specifications.

Technical Specification

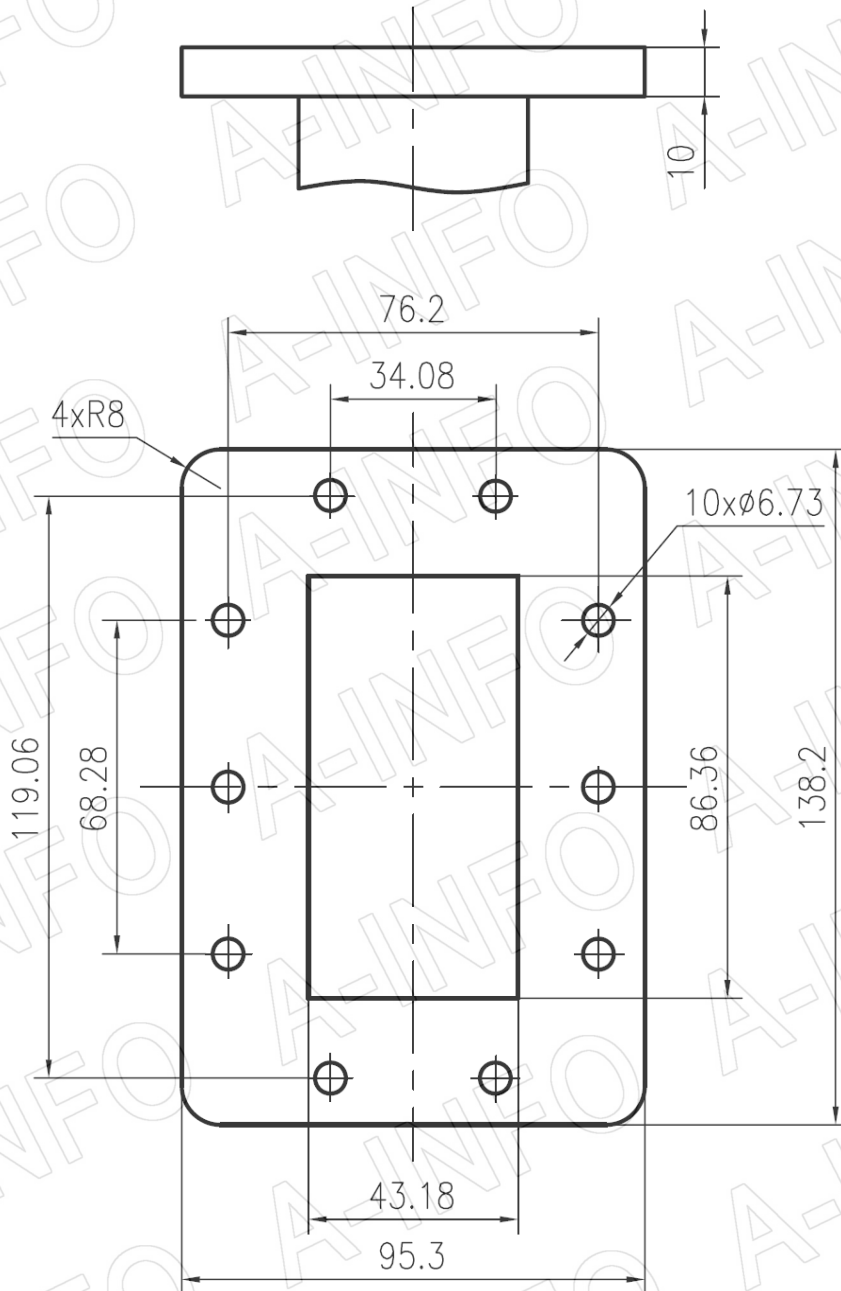


EIA WR	WR340
Frequency Range(GHz)	2.2 – 3.3
Insertion Loss(dB)	0.20 Max.
VSWR	1.25:1 Max.
Flange	FDP26(UDR26)
Connector	SMA-Female
Average Power(W CW)	50 Max.
Peak Power(KW)	3
Material	Al
Size(mm)	112.8 x 138.1 x 95.3
Net Weight(Kg)	0.74 Around

Outline Drawing (Size: mm)



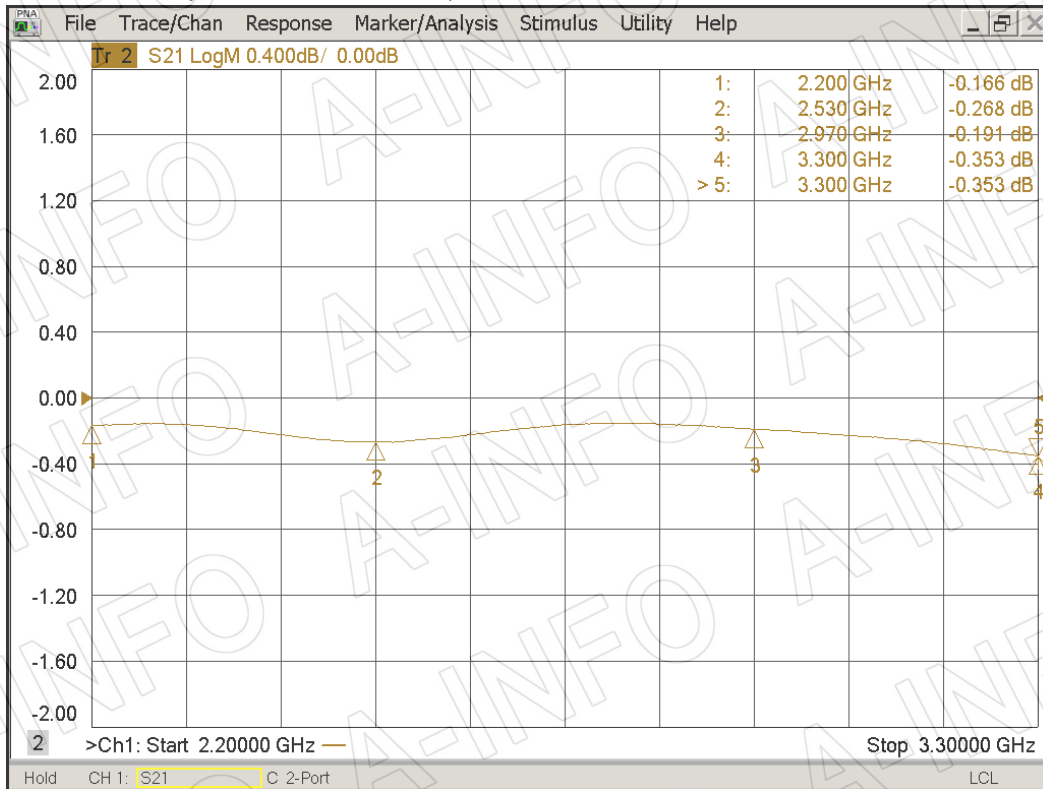
Flange Drawing (Size: mm)



FDP26

Test results

I. L. (Test with two adapters back to back)



VSWR

