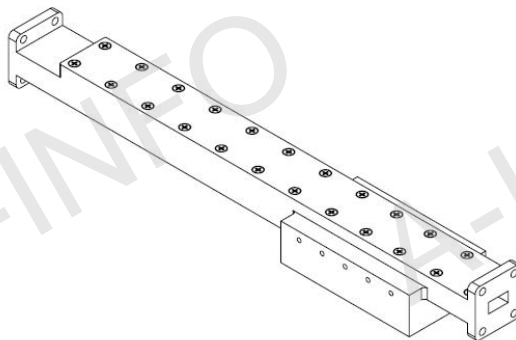
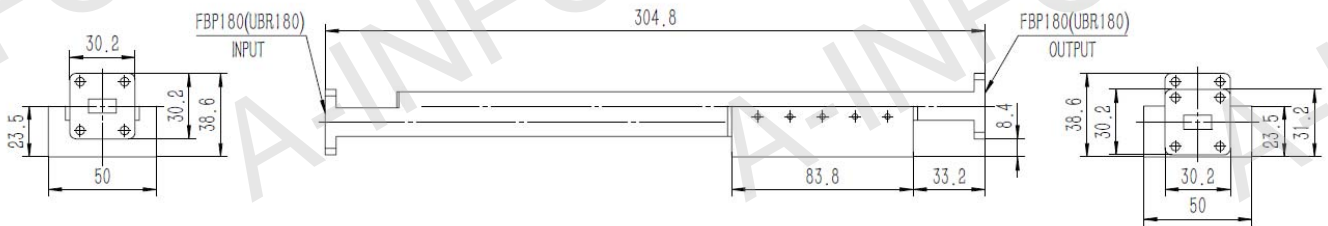


Technical Specification

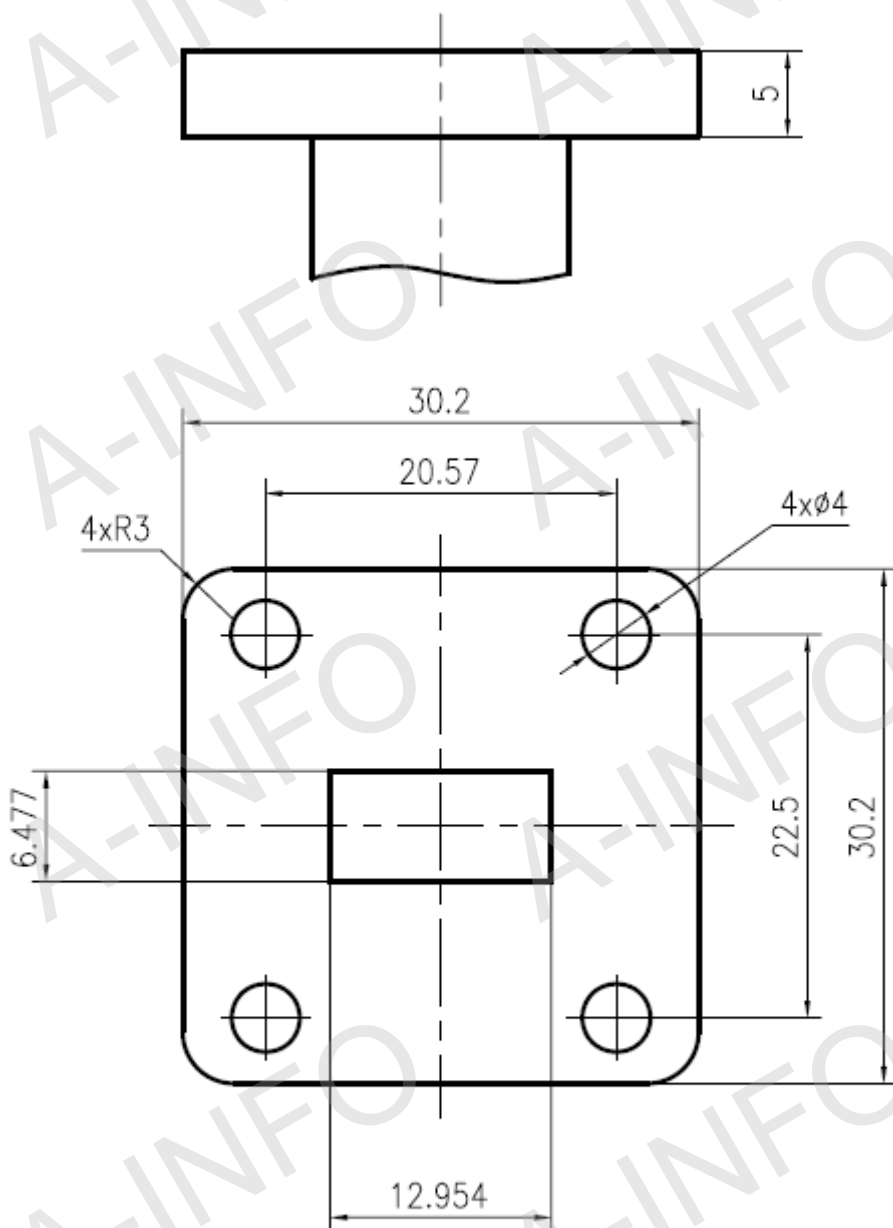


EIA WR	WR51
Frequency Range(GHz)	15.0-22.0
Attenuation(dB)	20
Attenuation Accuracy(dB)	±0.9 Max.
Attenuation Sensitivity(dB)	±0.7 Max.
VSWR	1.15:1 Max.
Average Power(W)	100 CW
Peak Power(KW)	120
Flange	FBP180(UBR180)
Material	Al
Size(mm)	304.8 x 50 x 38.6
Net Weight(Kg)	0.55 Around

Outline Drawing (Size: mm)



Flange Drawing (Size: mm)



FBP180

Test Result

Attenuation & VSWR

