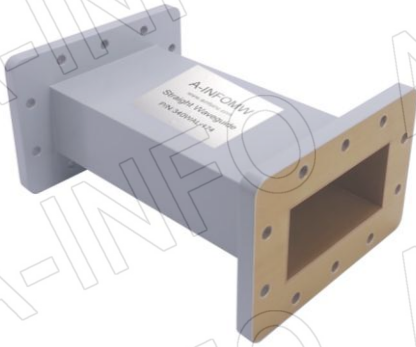
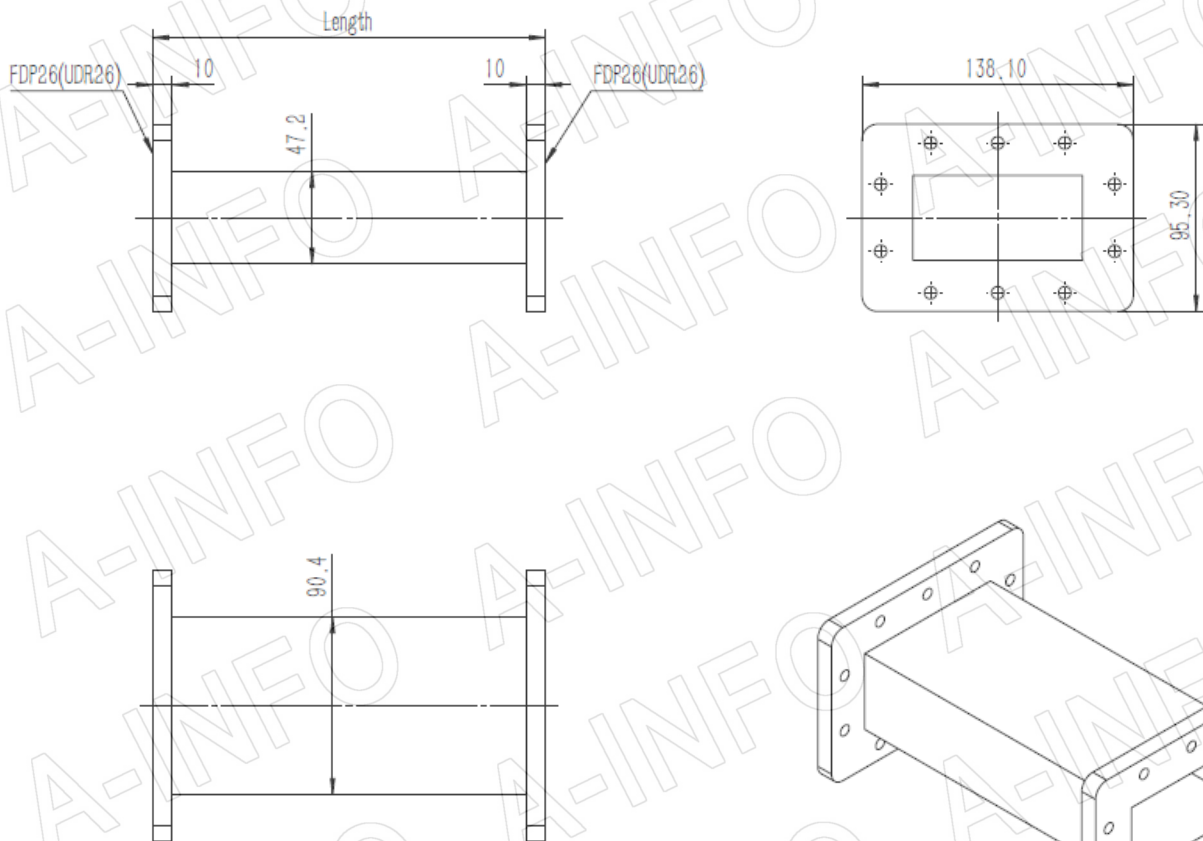


## Technical Specification



EIA WR	WR340
Frequency Range(GHz)	2.20 - 3.30
Length(mm)	174
Insertion Loss(dB)	0.1 Max.
VSWR	1.05:1 Max.
Flange	FDP26(UDR26)
Material	Al
Size(mm)	174 x 138.1 x 95.3
Net Weight(Kg)	0.73 Around

## Outline Drawing (Size: mm)



AINFO Inc.

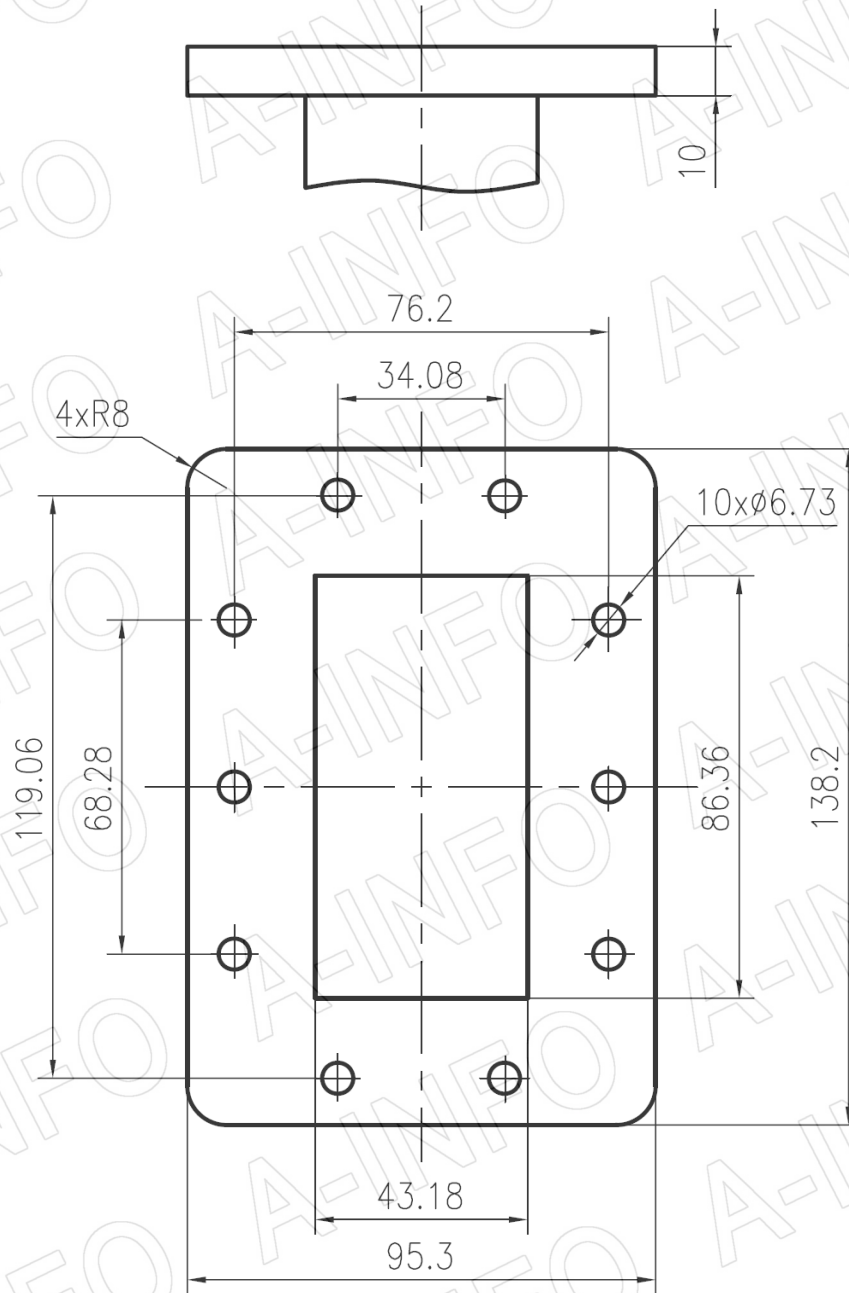
Page 1 of 3

China(Beijing): Tel: (+86) 10-6266-7326,  
China(Chengdu): Tel: (+86) 28-8519-2786,  
USA: Tel: (+1) 949-639-9688,

(+86) 10-6266-7327 Fax: (+86) 10-6266-7379  
(+86) 28-8519-3044 Fax: (+86) 28-8519-3068  
(+1) 949-639-9608 Fax: (+1) 949-639-9670

Website: [www.ainfoinc.com](http://www.ainfoinc.com)  
Email: [sales@ainfoinc.com](mailto:sales@ainfoinc.com)

## Flange Drawing (Size: mm)



# FDP26

AINFO Inc.

Page 2 of 3

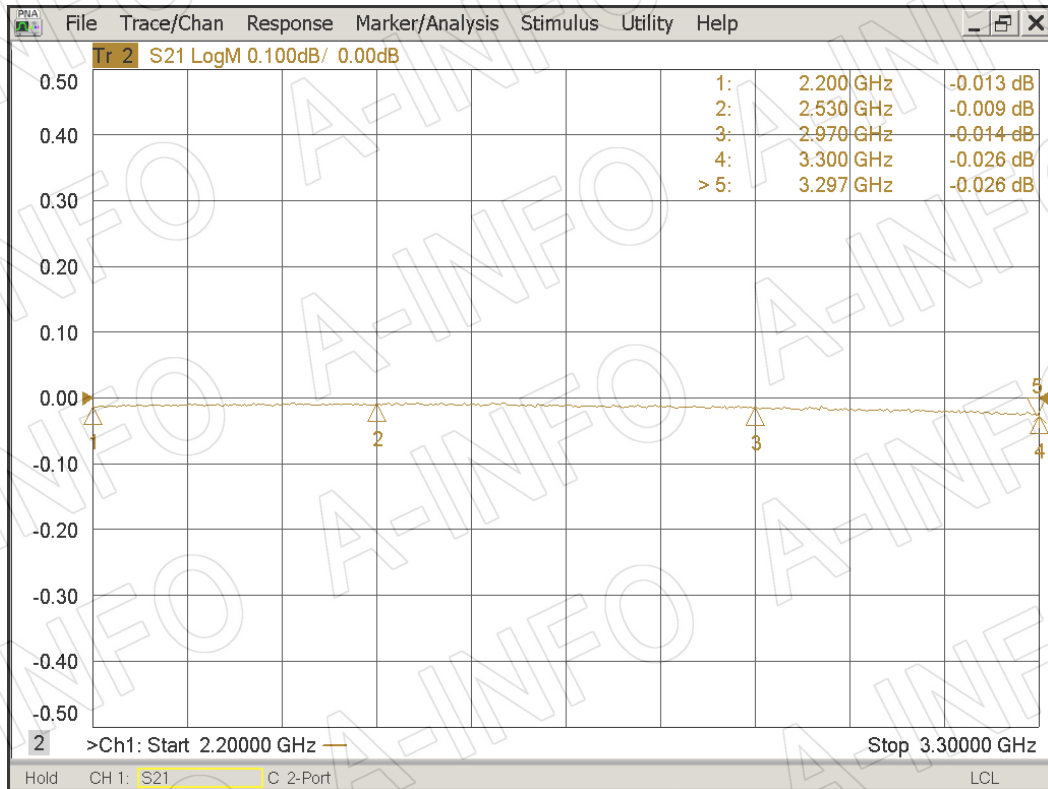
China(Beijing): Tel: (+86) 10-6266-7326,  
China(Chengdu): Tel: (+86) 28-8519-2786,  
USA: Tel: (+1) 949-639-9688,

(+86) 10-6266-7327 Fax: (+86) 10-6266-7379  
(+86) 28-8519-3044 Fax: (+86) 28-8519-3068  
(+1) 949-639-9608 Fax: (+1) 949-639-9670

Website: [www.ainfoinc.com](http://www.ainfoinc.com)  
Email: [sales@ainfoinc.com](mailto:sales@ainfoinc.com)

## Test Results

I.L.



VSWR

