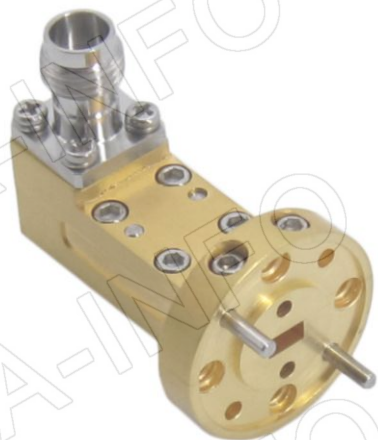
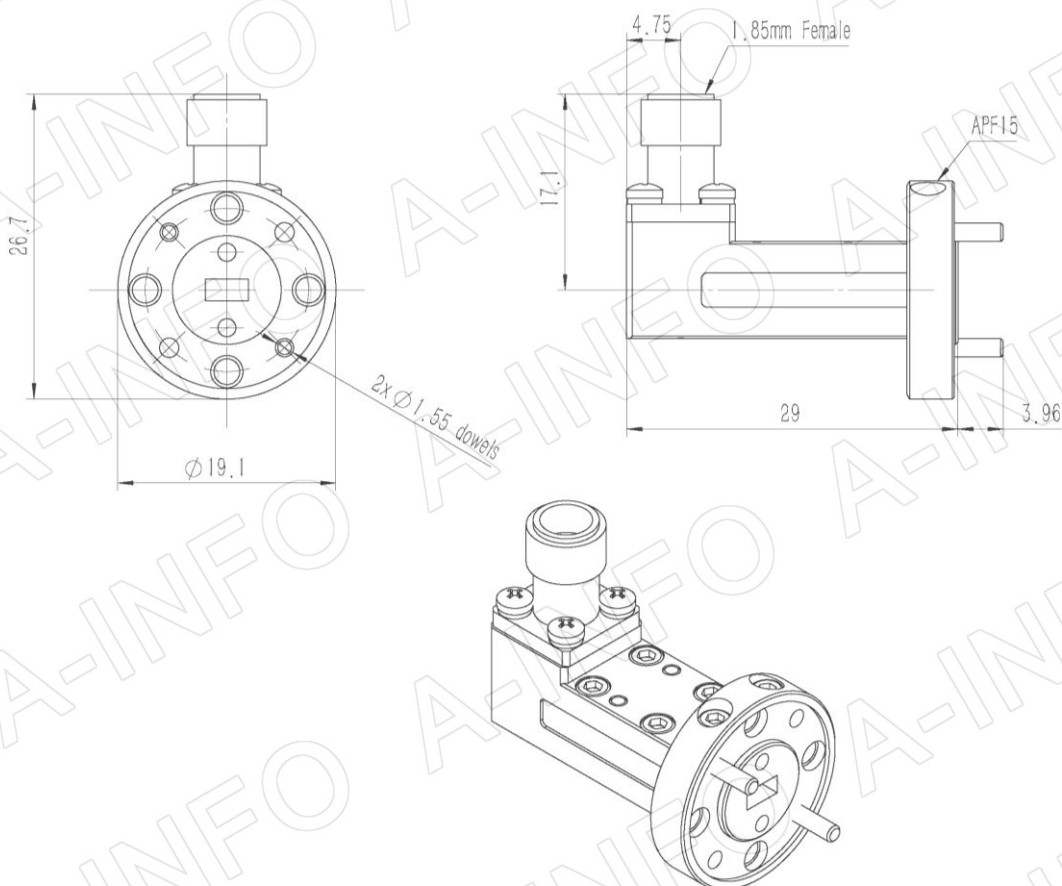


Technical Specification



EIA WR	WR15
Frequency Range(GHz)	50.0 - 65.0
Theoretical Insertion Loss(dB)	0.8 Max.
VSWR	1.80:1 Max.
Flange	APF15
Connector	1.85mm-Female
Average Power(W CW)	5 Max.
Peak Power(KW)	0.01
Material	Cu
Size(mm)	29 x 19.1 x 26.7
Net Weight(Kg)	0.02 Around

Outline Drawing (Size: mm)



AINFO Inc.

Page 1 of 3

China(Beijing):
China(Chengdu):
USA :

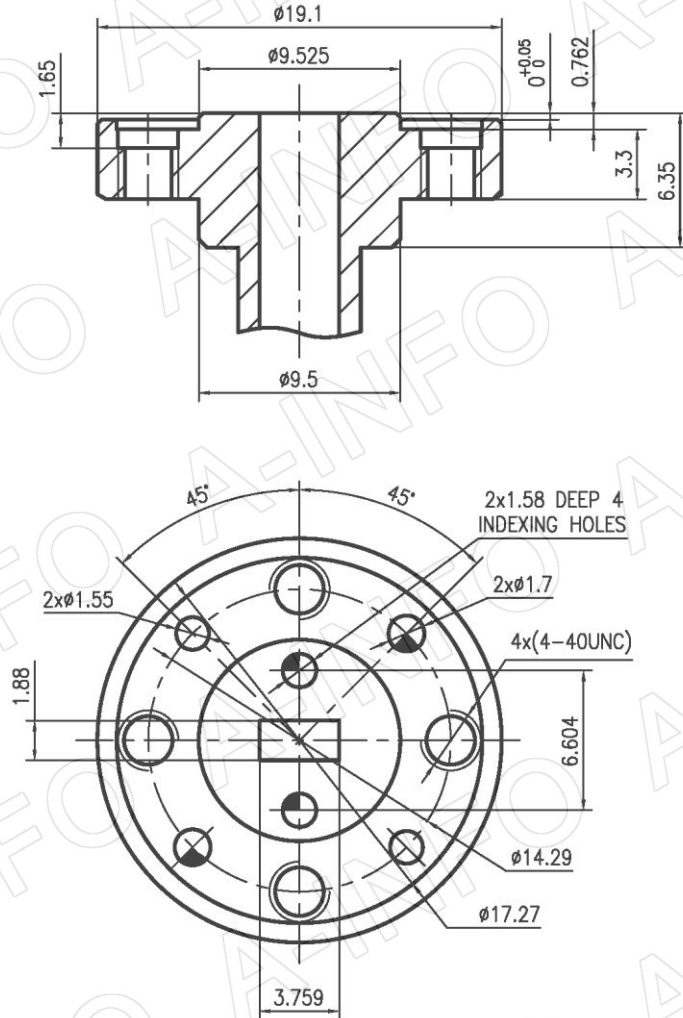
Tel: (+86) 10-6266-7326,
Tel: (+86) 28-8519-2786,
Tel: (+1) 949-639-9688,

(+86) 10-6266-7327
(+86) 28-8519-3044
(+1) 949-639-9608

Fax: (+86) 10-6266-7379
Fax: (+86) 28-8519-3068
Fax: (+1) 949-639-9670

Website: www.ainfoinc.com
Email: sales@ainfoinc.com

Flange Drawing (Size: mm)



APF15

AINFO Inc.

Page 2 of 3

China(Beijing):
China(Chengdu):
USA :

Tel: (+86) 10-6266-7326,
Tel: (+86) 28-8519-2786,
Tel: (+1) 949-639-9688,

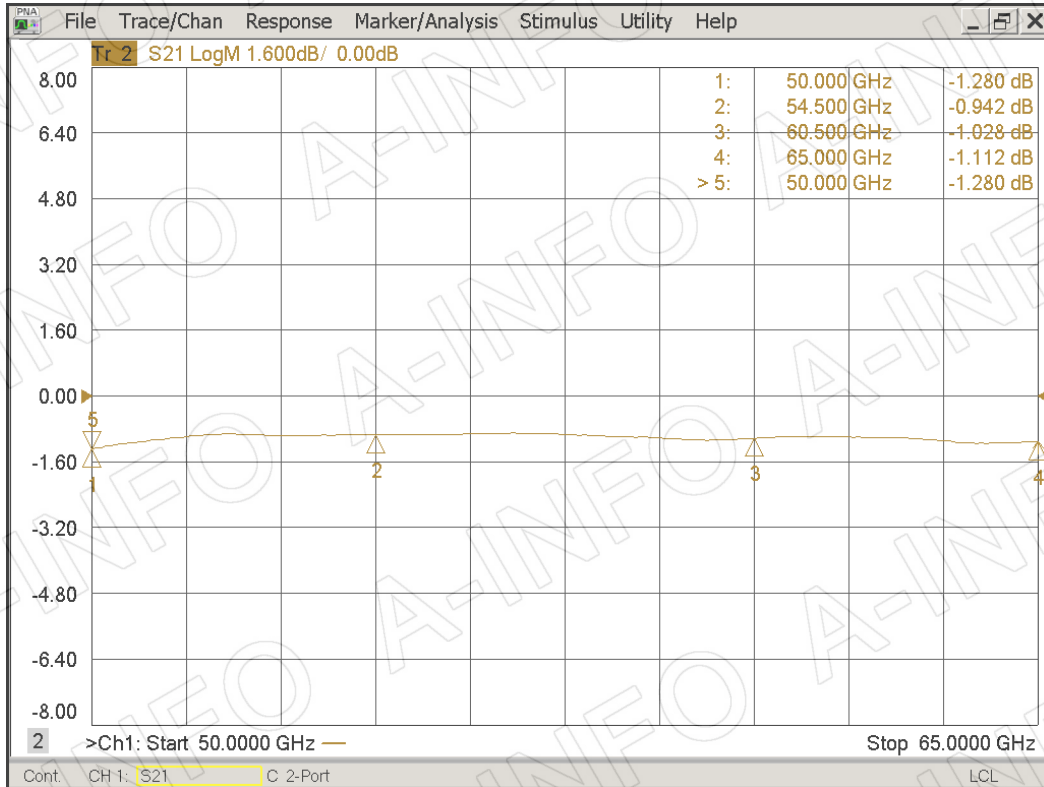
(+86) 10-6266-7327
(+86) 28-8519-3044
(+1) 949-639-9608

Fax: (+86) 10-6266-7379
Fax: (+86) 28-8519-3068
Fax: (+1) 949-639-9670

Website: www.ainfoinc.com
Email: sales@ainfoinc.com

Test results

I. L. (Test with two adapters back to back)



VSWR

