

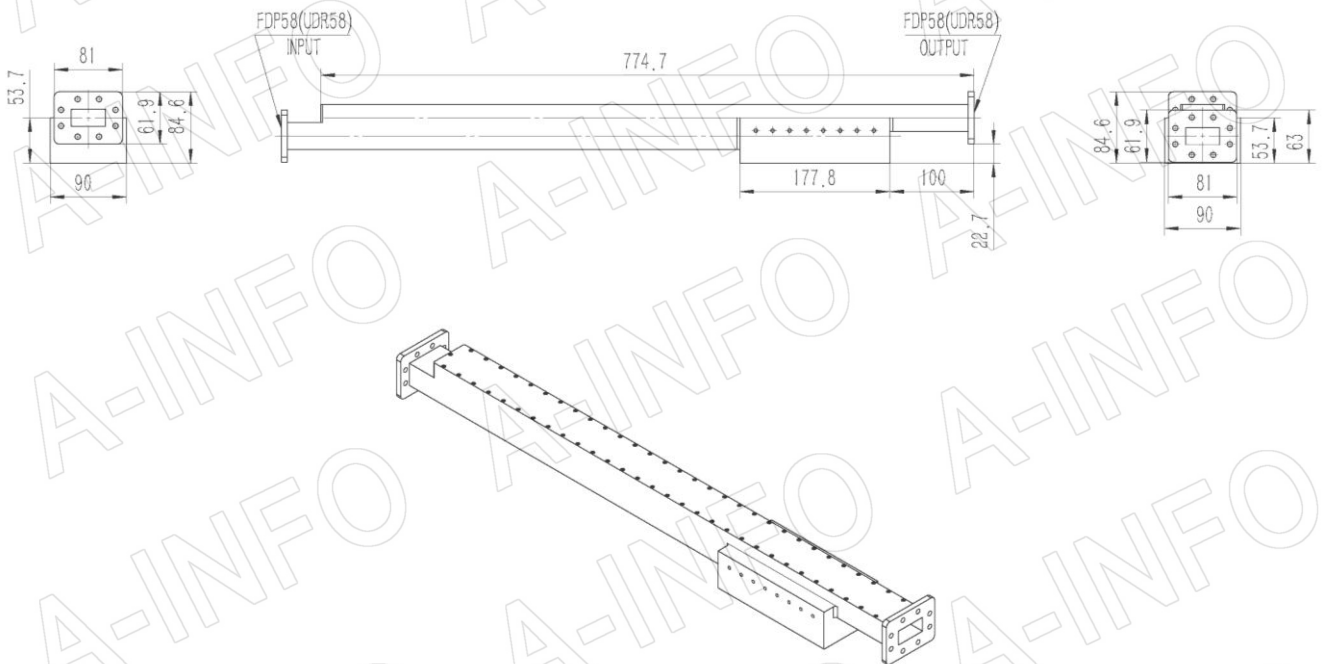
For reference only. See data sheet for the detailed specifications.

Technical Specification

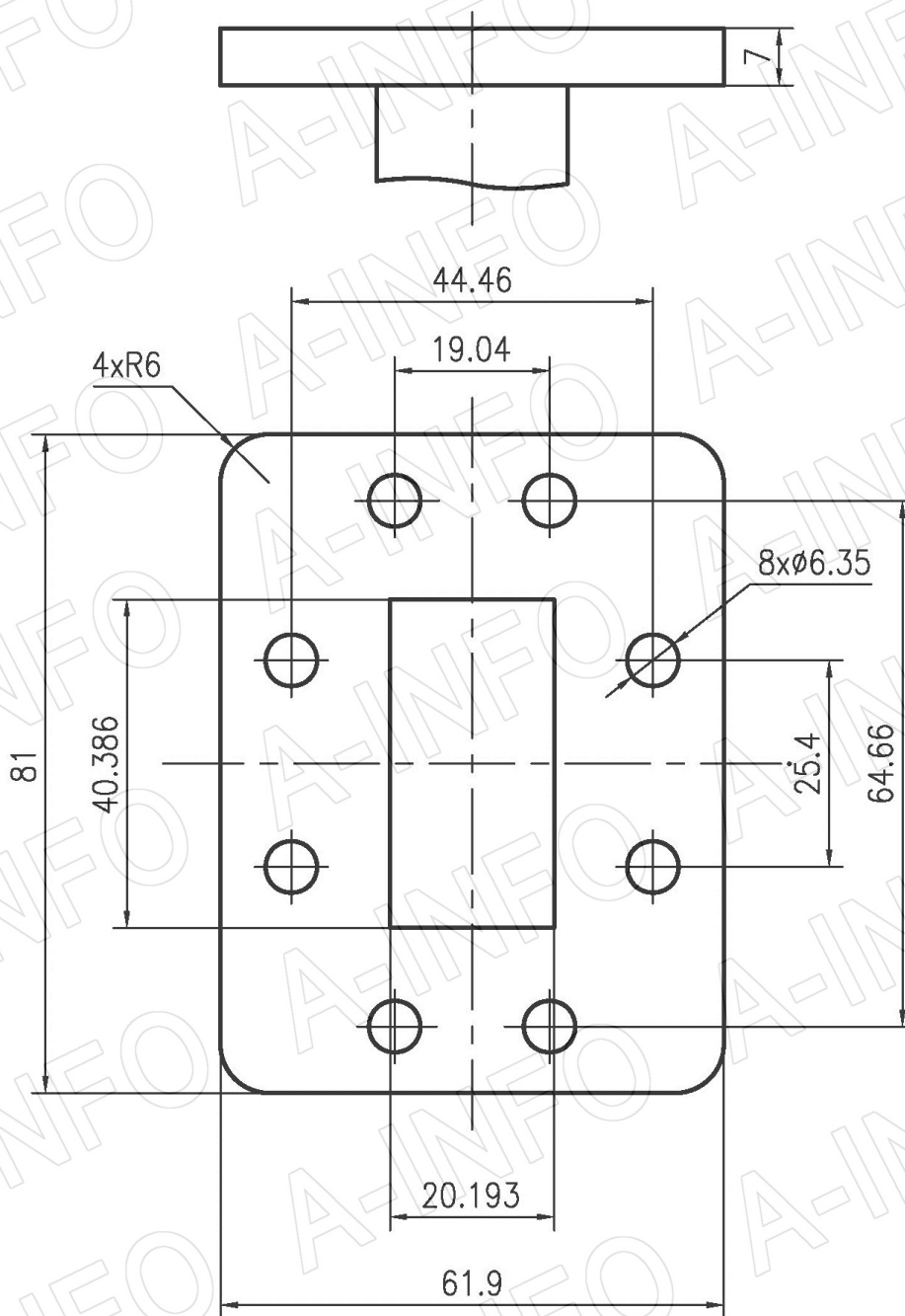


EIA WR	WR159
Frequency Range(GHz)	4.90 – 7.05
Attenuation(dB)	30
Attenuation Accuracy(dB)	±0.9 Max.
Attenuation Sensitivity(dB)	±0.7 Max.
VSWR	1.15:1 Max.
Power Handling(W CW)	625
Peak Power(KW)	625
Flange	FDP58(UDR58)
Material	Al
Size(mm)	774.7 x 90 x 84.6
Net Weight(Kg)	4.24 Around

Outline Drawing (Size: mm)



Flange Drawing (Size: mm)



FDP58

AINFO Inc.

Page 2 of 3

China(Beijing): Tel: (+86) 10-6266-7326,
China(Chengdu): Tel: (+86) 28-8519-2786,
USA : Tel: (+1) 949-639-9688,

(+86) 10-6266-7327 Fax: (+86) 10-6266-7379
(+86) 28-8519-3044 Fax: (+86) 28-8519-3068
(+1) 949-639-9608 Fax: (+1) 949-639-9670

Website: www.ainfoinc.com
Email: sales@ainfoinc.com

Test Results

Attenuation & VSWR

