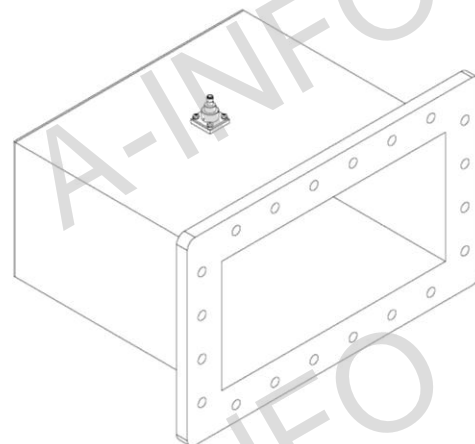
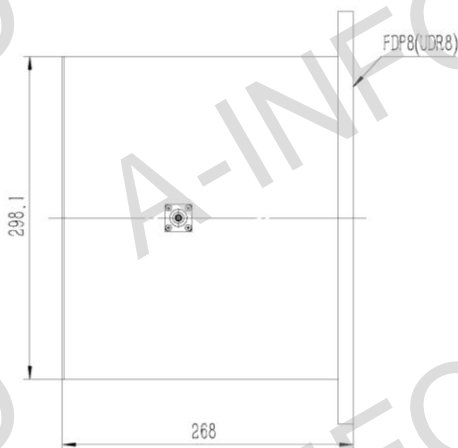
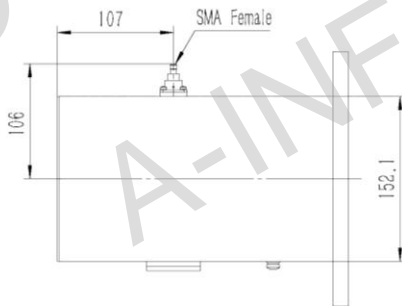


## Technical Specification

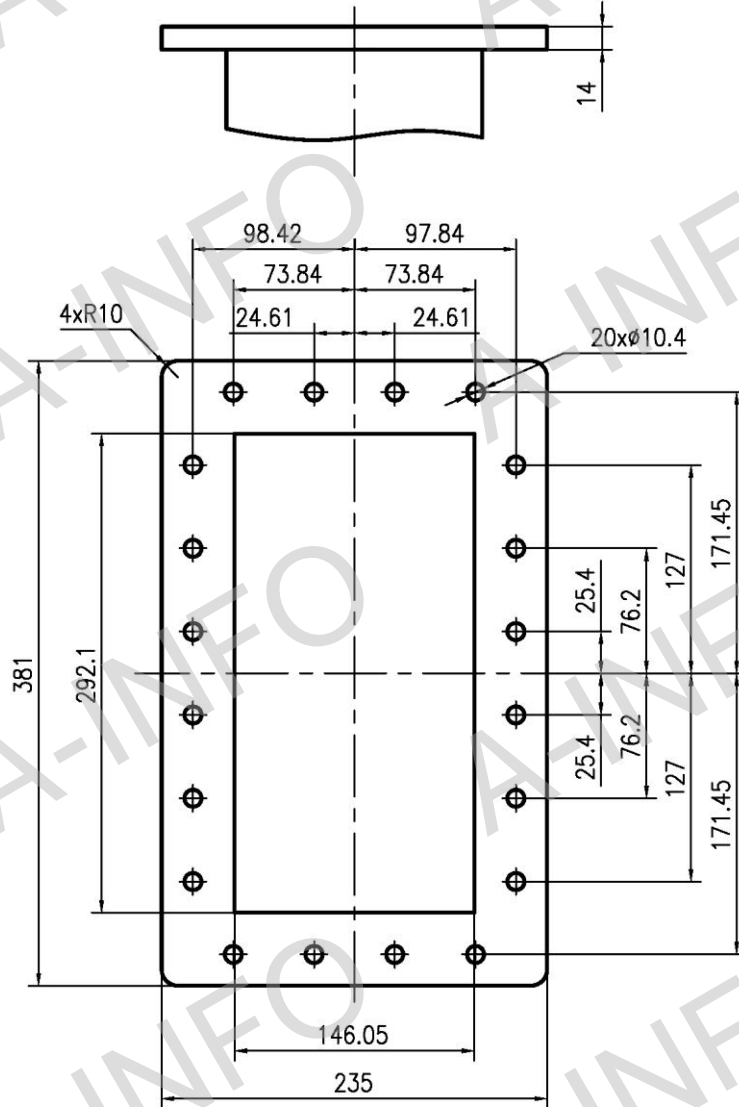


EIA WR	WR1150
Frequency Range(GHz)	0.64 – 0.96
Insertion Loss(dB)	0.12 Max.
VSWR	1.25:1 Max.
Flange	FDP8(UDR8)
Connector	SMA-Female
Average Power(W CW)	50 Max.
Peak Power(KW)	3
Material	Al
Size(mm)	268 x 381 x 235
Net Weight(Kg)	4.30 Around

## Outline Drawing (Size: mm)



## Flange Drawing (Size: mm)



### FDP8

AINFO Inc.

Page 2 of 3

China(Beijing):  
China(Chengdu):  
USA :

Tel: (+86) 10-6266-7326,  
Tel: (+86) 28-8519-2786,  
Tel: (+1) 949-639-9688,

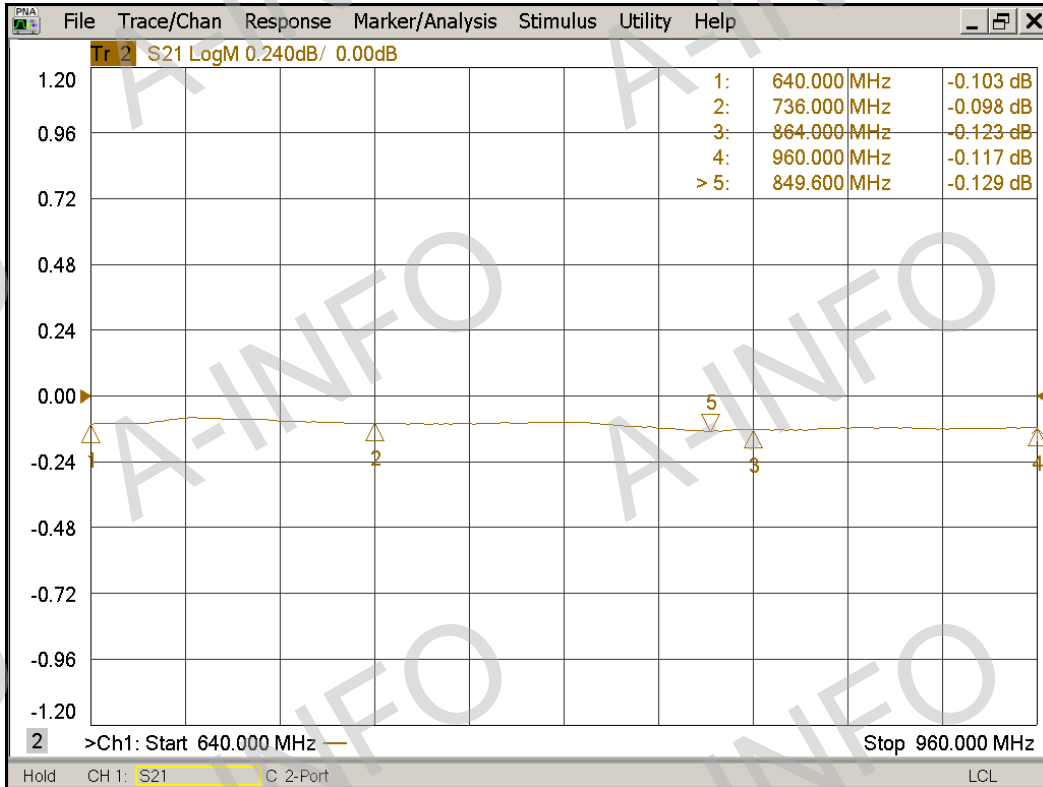
(+86) 10-6266-7327  
(+86) 28-8519-3044  
(+1) 949-639-9608

Fax: (+86) 10-6266-7379  
Fax: (+86) 28-8519-3068  
Fax: (+1) 949-639-9670

Website: [www.ainfoinc.com](http://www.ainfoinc.com)  
Email: [sales@ainfoinc.com](mailto:sales@ainfoinc.com)

## Test Results

Insertion Loss (Test with two adapters back to back)



VSWR

