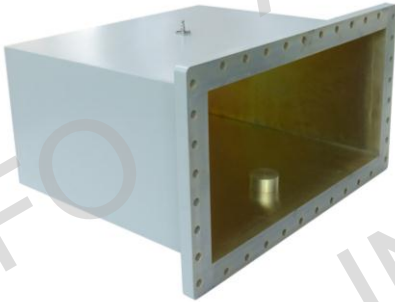
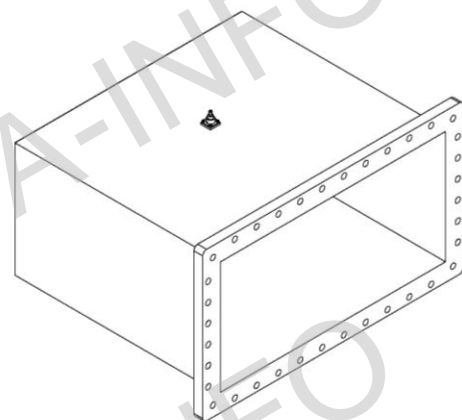
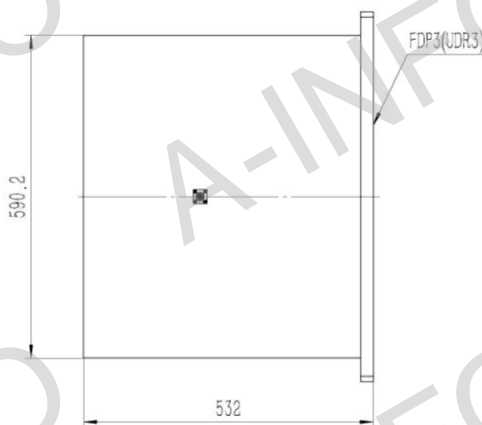
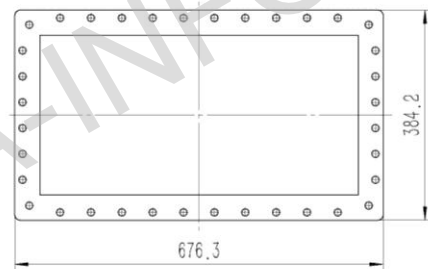
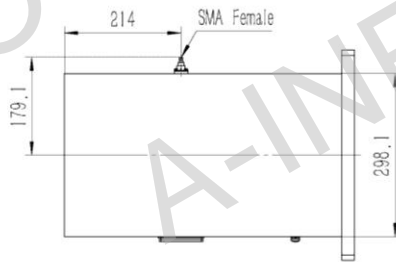


Technical Specification



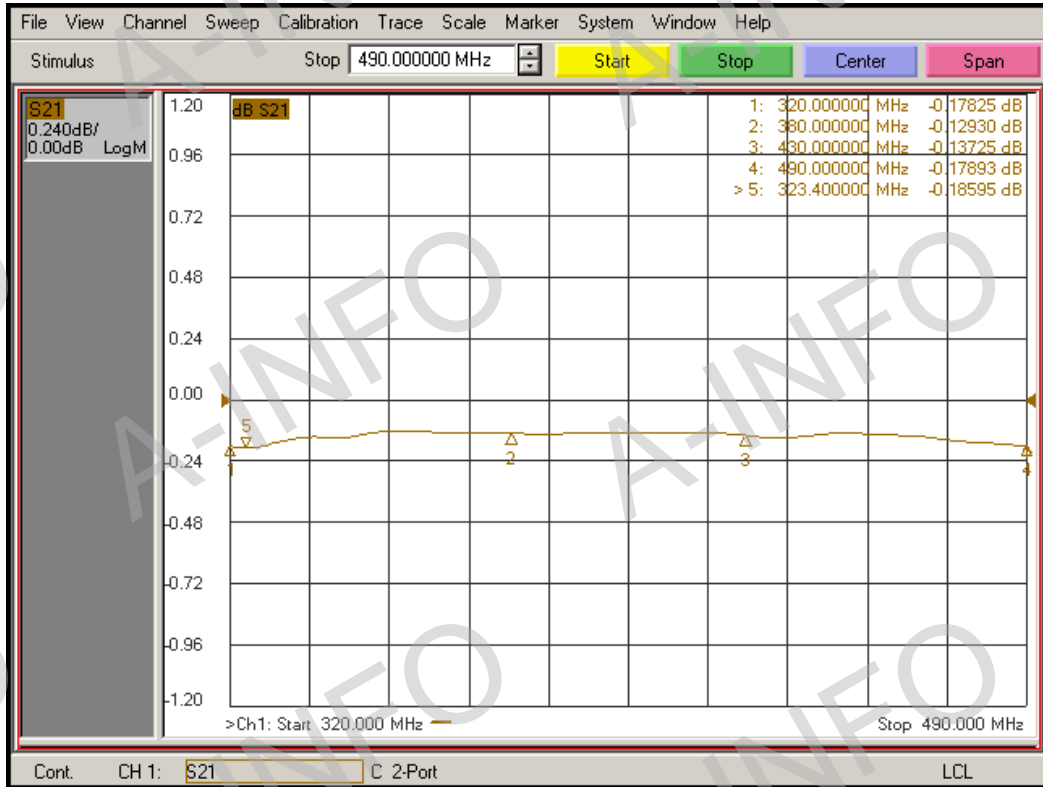
EIA WR	WR2300
Frequency Range(GHz)	0.32 – 0.49
Insertion Loss(dB)	0.12 Max.
VSWR	1.25:1 Max.
Flange	FDP3(UDR3)
Connector	SMA-Female
Average Power(W CW)	50 Max.
Peak Power(KW)	3
Material	Al
Size(mm)	532 x 676.3 x 384.2
Net Weight(Kg)	15.75 Around

Outline Drawing (Size: mm)



Test Results

Insertion Loss (Test with two adapters back to back)



VSWR

