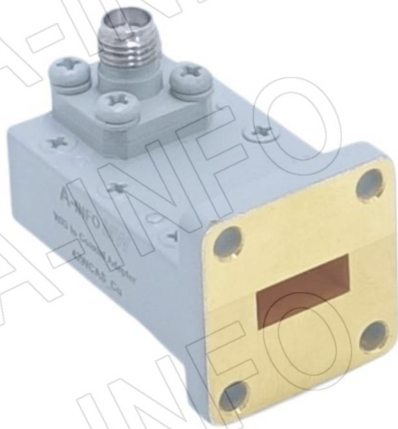


For reference only. See data sheet for the detailed specifications.

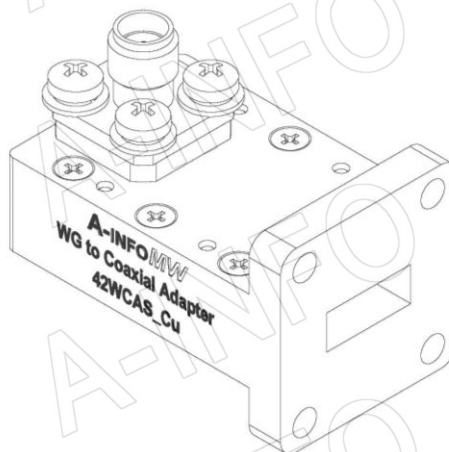
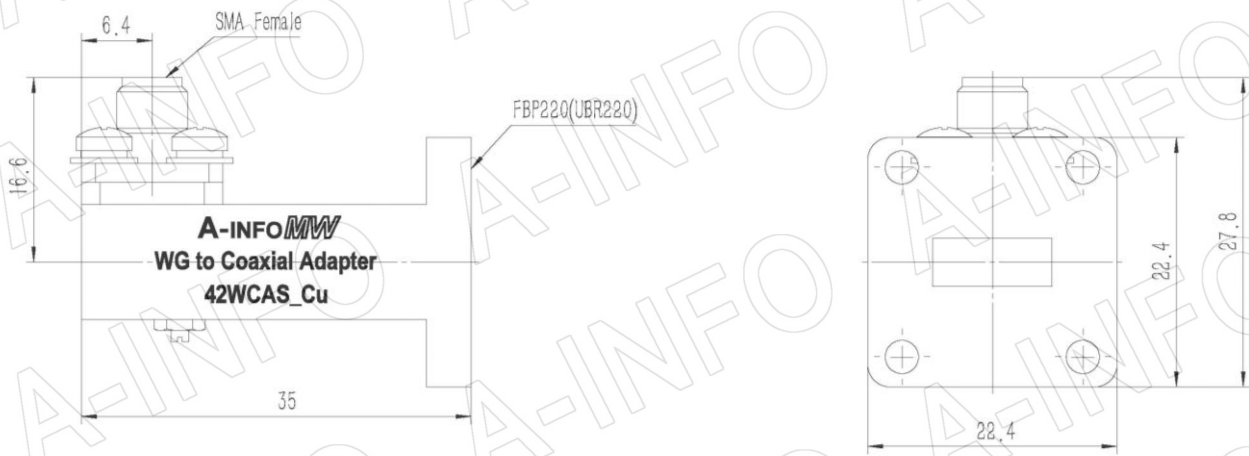
Technical Specification



EIA WR	WR42
Frequency Range(GHz)	18.0 – 26.5
Insertion Loss(dB)	0.32 Max.
VSWR	1.30:1 Max.
Flange	FBP220(UBR220)
Connector	SMA-Female or SMA-Male
Power Handling(W CW)	50 Max.
Peak Power(KW)	3
Material	Cu
Size(mm)	35 x 22.4 x 27.8
Net Weight(Kg)	0.07 Around

Outline Drawing (Size: mm)

SMA-Female Output (P/N: 42WCAS_Cu)



AINFO Inc.

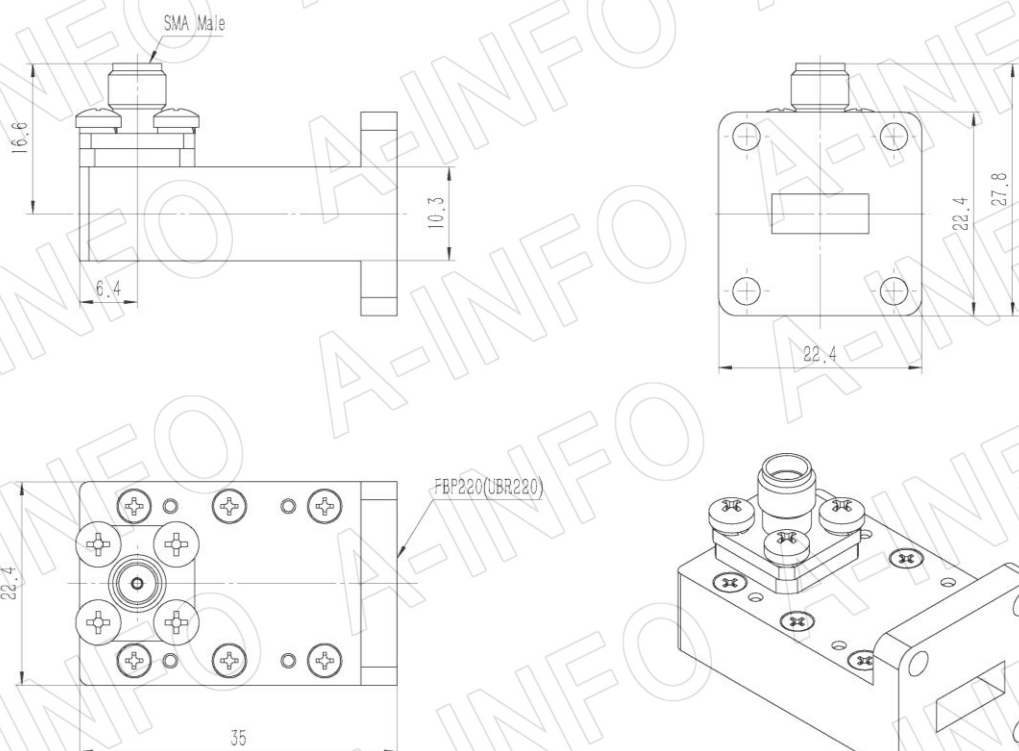
Page 1 of 4

China(Beijing): Tel: (+86) 10-6266-7326,
China(Chengdu): Tel: (+86) 28-8519-2786,
USA: Tel: (+1) 949-639-9688,

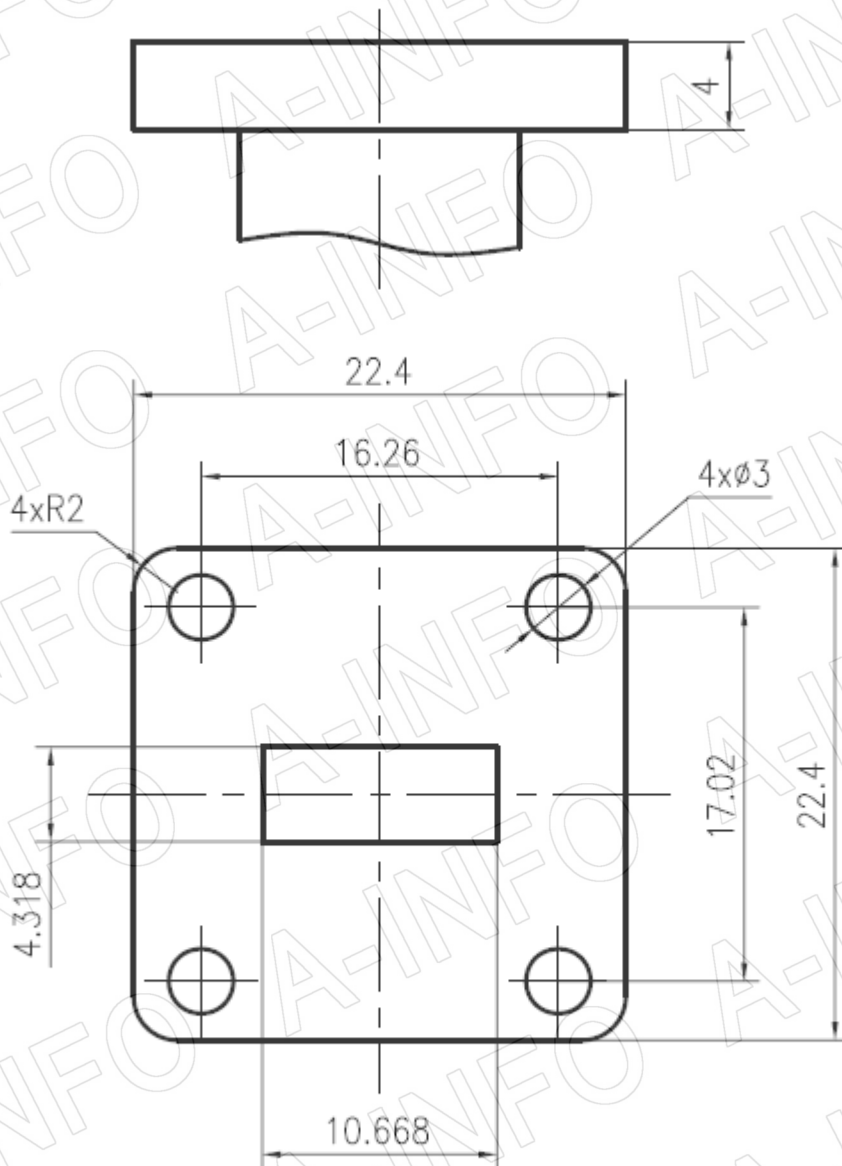
(+86) 10-6266-7327 Fax: (+86) 10-6266-7379
(+86) 28-8519-3044 Fax: (+86) 28-8519-3068
(+1) 949-639-9608 Fax: (+1) 949-639-9670

Website: www.ainfoinc.com
Email: sales@ainfoinc.com

SMA-Male Output (P/N: 42WCASM_Cu)



Flange Drawing (Size: mm)



FBP220

AINFO Inc.

Page 3 of 4

China(Beijing):
China(Chengdu):
USA :

Tel: (+86) 10-6266-7326,
Tel: (+86) 28-8519-2786,
Tel: (+1) 949-639-9688,

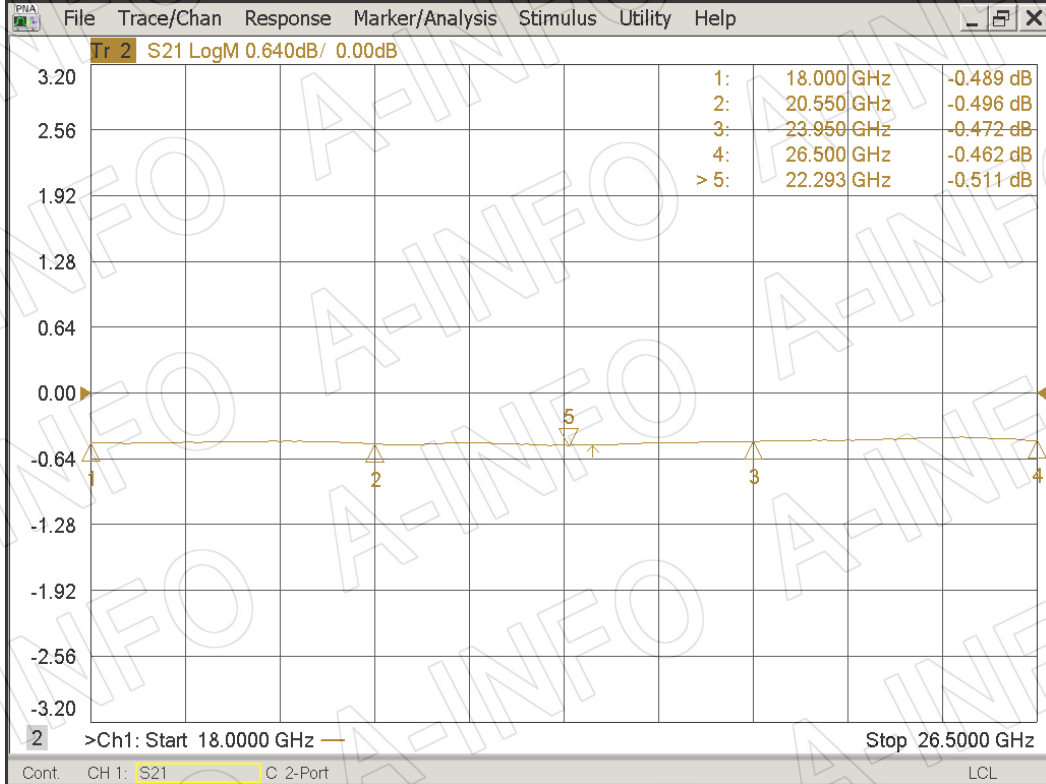
(+86) 10-6266-7327
(+86) 28-8519-3044
(+1) 949-639-9608

Fax: (+86) 10-6266-7379
Fax: (+86) 28-8519-3068
Fax: (+1) 949-639-9670

Website: www.ainfoinc.com
Email: sales@ainfoinc.com

Test Results

I. L. (Test with two adapters back to back)



VSWR

