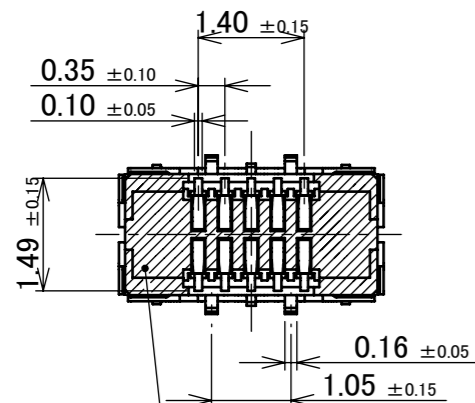
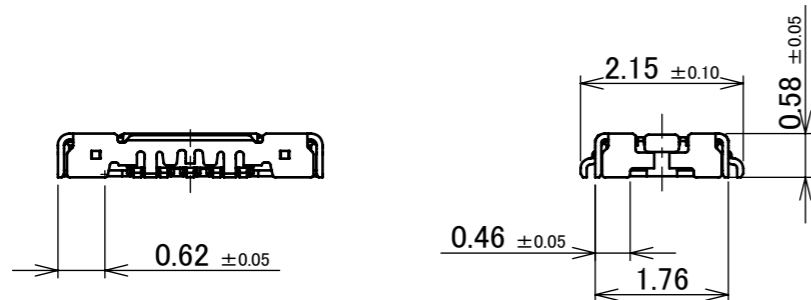
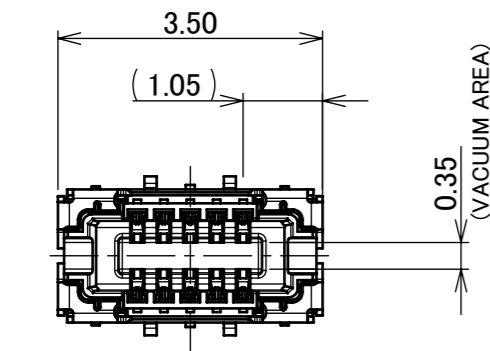
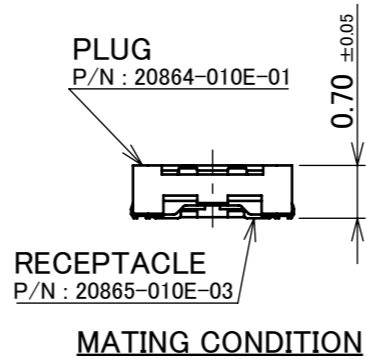
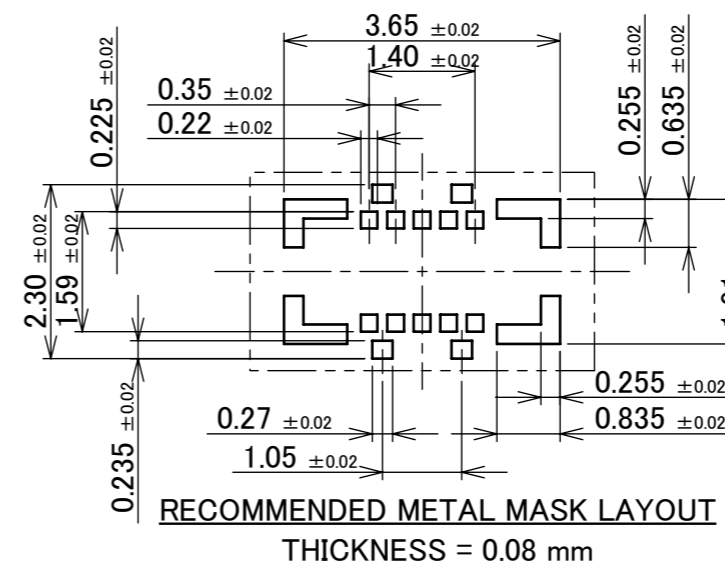
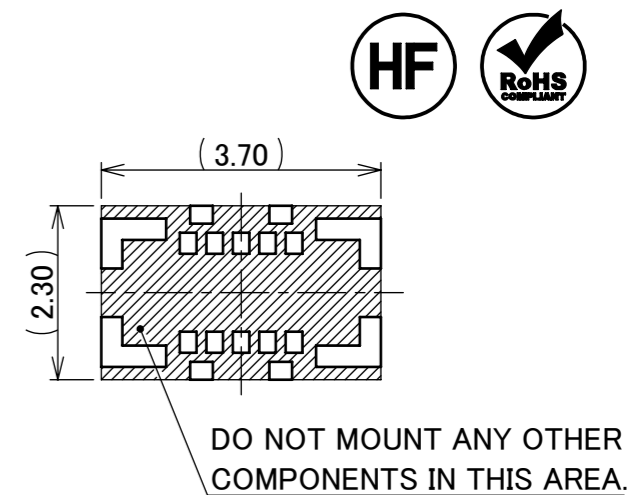
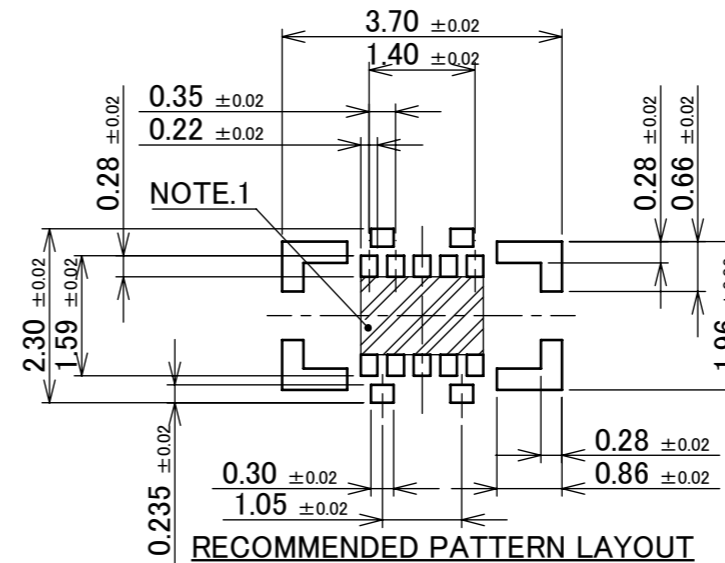
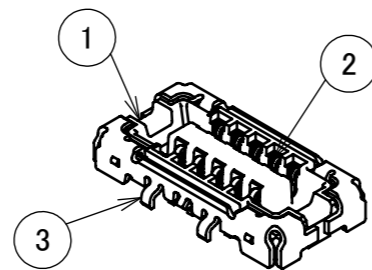


PART NO.	Pos.
20865-010E-03	10



There is a possibility of dent shape in the bottom surface of HOUSING.



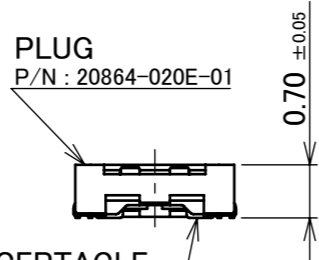
NOTES.
1. FOOT PRINT PATTERN PROHIBITION AREA :
SOLDER RESIST MUST BE APPLIED TO THIS HATCHED AREA
IF SURFACE TRACES ARE ROUNDED.

3	SHELL	COPPER ALLOY	SOLDERING PART Au 0.01 μ m MIN. OVER Ni 1.27 μ m MIN.
2	CONTACT	COPPER ALLOY	CONTACT PART Au 0.05 μ m MIN. OVER Ni 1.27 μ m MIN. SOLDERING PART Au 0.01 μ m MIN. OVER Ni 1.27 μ m MIN.
1	HOUSING	LCP	UL94V-0 BLACK
NO.	DISCRIPTION	MATERIAL	FINISH, REMARKS

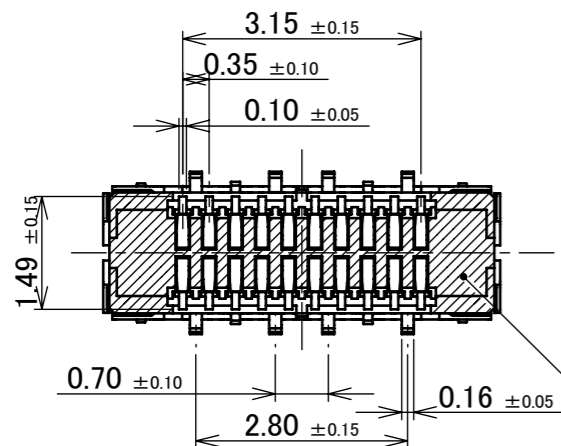
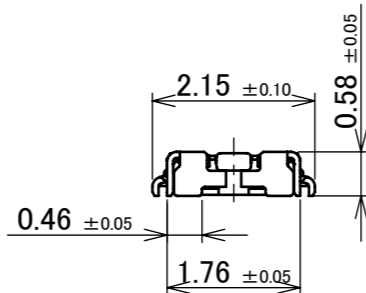
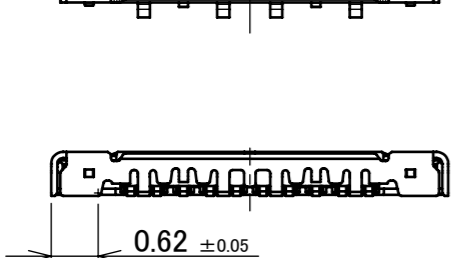
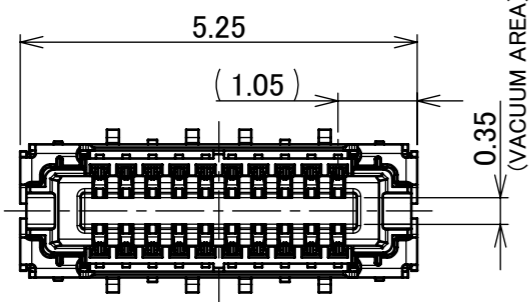
8	Z201019	M.H	Oct./02/'20	Y.H	ANGLE	±2°	6 OVER 30 MAX.	±0.3	PROJECTION ⊕	SERIES No. R3	CUSTOMER COPY
7	Z191631	Tad	Dec./16/'19	Y.S	6 MAX.	±0.2	30 OVER 120 MAX.	±0.5			
6	Z190899	Tad	Jul./09/'19	Y.S	GENERAL TOLERANCE.			TITLE NOVASTACK® 35-HDN RECEPTACLE ASS'Y	SCALE 10:1	UNIT mm	I-PEX
5	Z190692	Tad	May/24/'19	Y.S	DWG.	DATE					
4	Z190598	Tad	May./07/'19	TAK	T.Hirakawa	2018/01/12					
3	Z190568	KAG	Apr./23/'19	KEN	CHK.			DWG. No. 20865	SIZE A3	SHEET 1/6	REV. 8
REV.	ECN	BY	DATE	APP.	APP.	DATE					
REVISION RECORD					K.Yotsutani		2018/01/12				

Recommended P/N 20865-020E-03

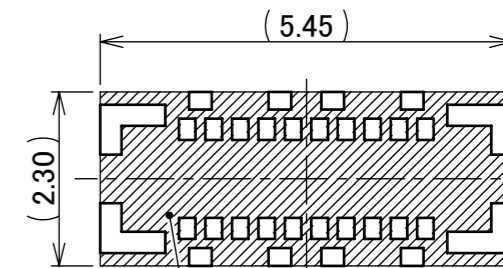
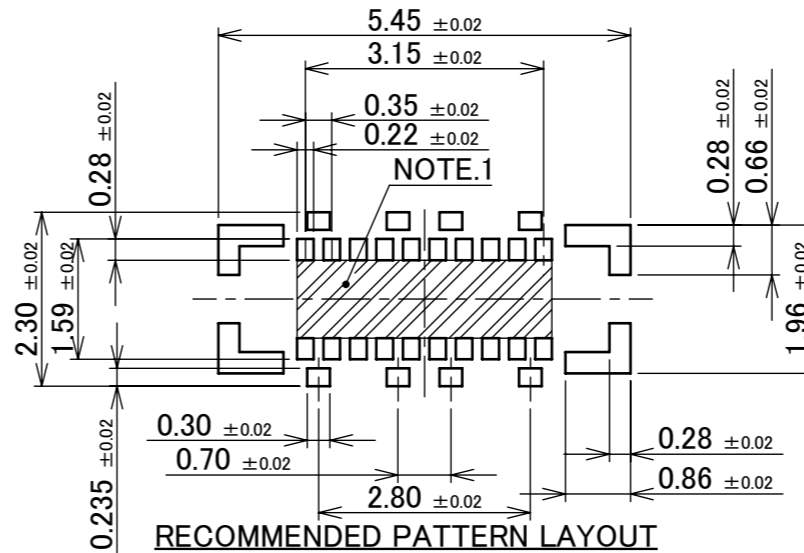
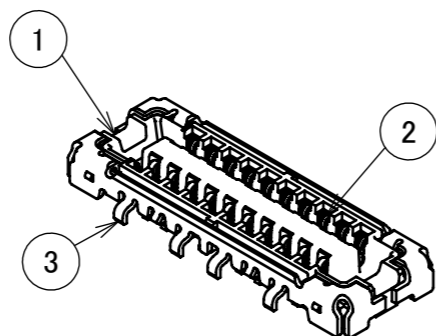
PART NO.	Pos.
20865-020E-03	20



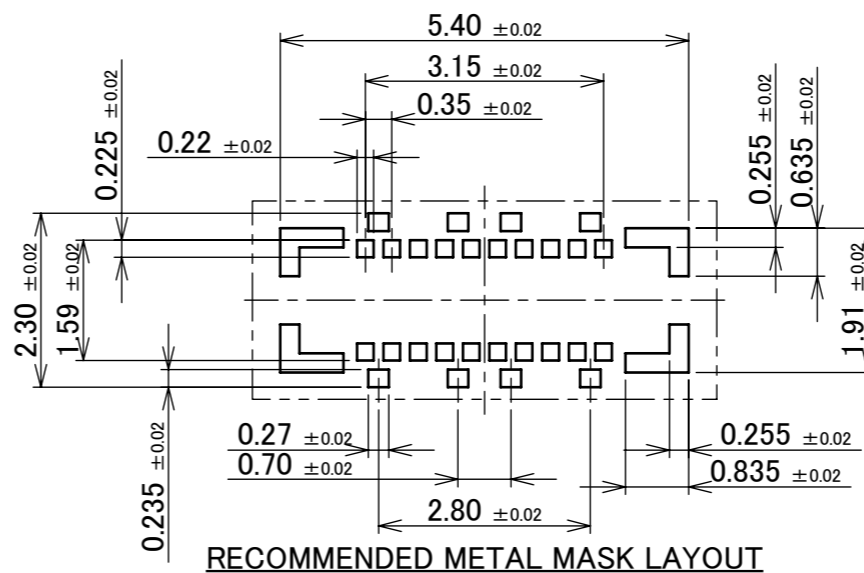
RECEPTACLE
P/N: 20865-020E-03
MATING CONDITION



There is a possibility of dent shape in the bottom surface of HOUSING.



DO NOT MOUNT ANY OTHER COMPONENTS IN THIS AREA.



THICKNESS = 0.08 mm

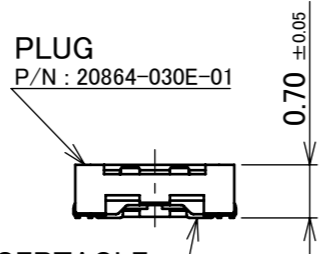
NOTES:
1. FOOT PRINT PATTERN PROHIBITION AREA :
SOLDER RESIST MUST BE APPLIED TO THIS HATCHED AREA
IF SURFACE TRACES ARE ROUNDED.

3	SHELL	COPPER ALLOY	SOLDERING PART Au 0.01 μm MIN. OVER Ni 1.27 μm MIN.
2	CONTACT	COPPER ALLOY	CONTACT PART Au 0.05 μm MIN. OVER Ni 1.27 μm MIN. SOLDERING PART Au 0.01 μm MIN. OVER Ni 1.27 μm MIN.
1	HOUSING	LCP	UL94V-0 BLACK
NO.	DISCRIPTION	MATERIAL	FINISH, REMARKS

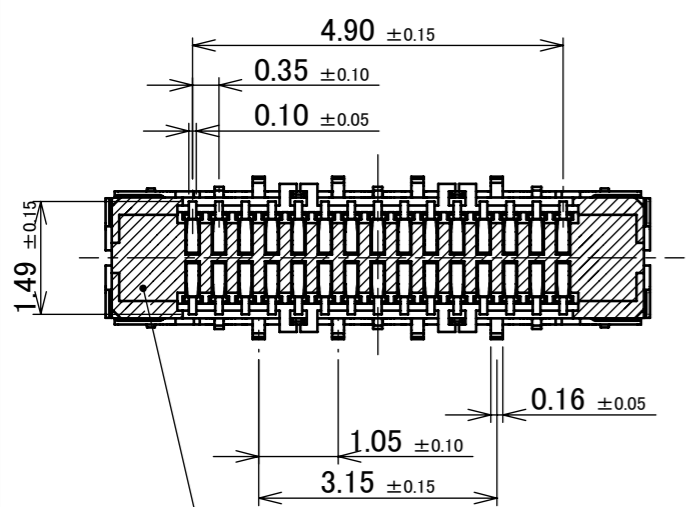
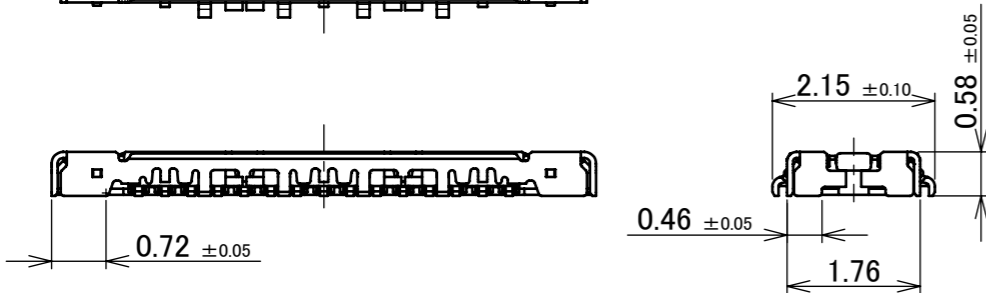
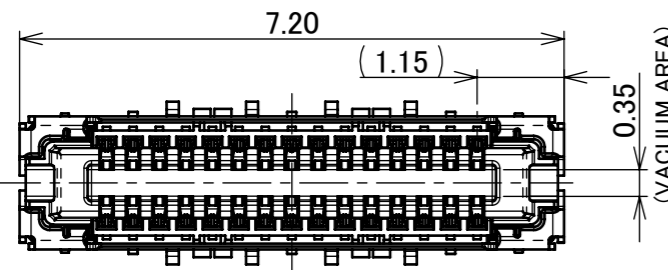
ANGLE	±2°	6 OVER 30 MAX.	±0.3	PROJECTION ⊕	SERIES No. R3	CUSTOMER COPY				
	6 MAX.	±0.2	30 OVER 120 MAX.						±0.5	
GENERAL TOLERANCE.						TITLE NOVASTACK® 35-HDN RECEPTACLE ASS'Y	SCALE	I-PEX		
DWG.	DATE				10:1					
CHK.					UNIT		mm			
APP.					SIZE		SHEET			REV.
						DWG. No.	20865	A3	2/6	8

Recommended P/N 20865-030E-03

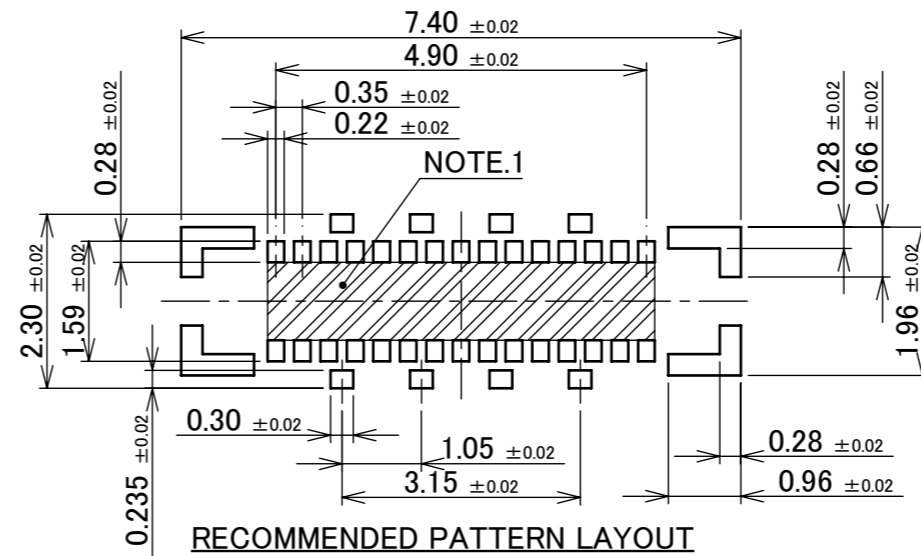
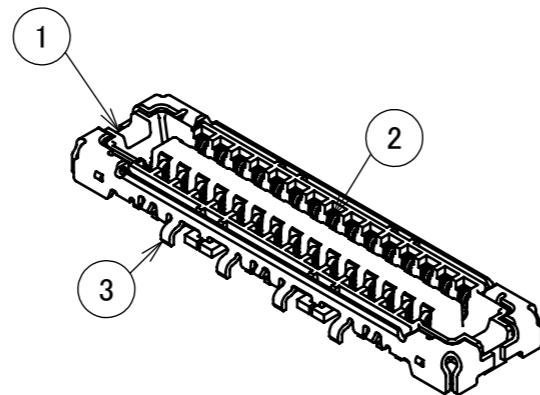
PART NO.	Pos.
20865-030E-03	30



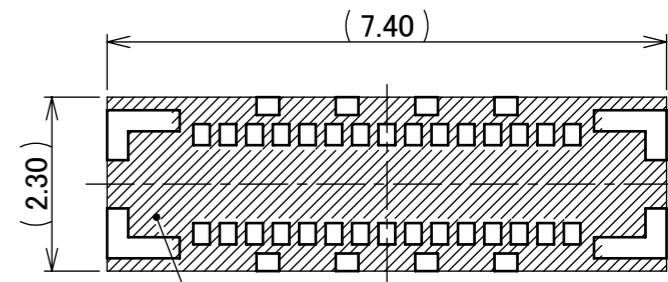
RECEPTACLE
P/N: 20865-030E-03
MATING CONDITION



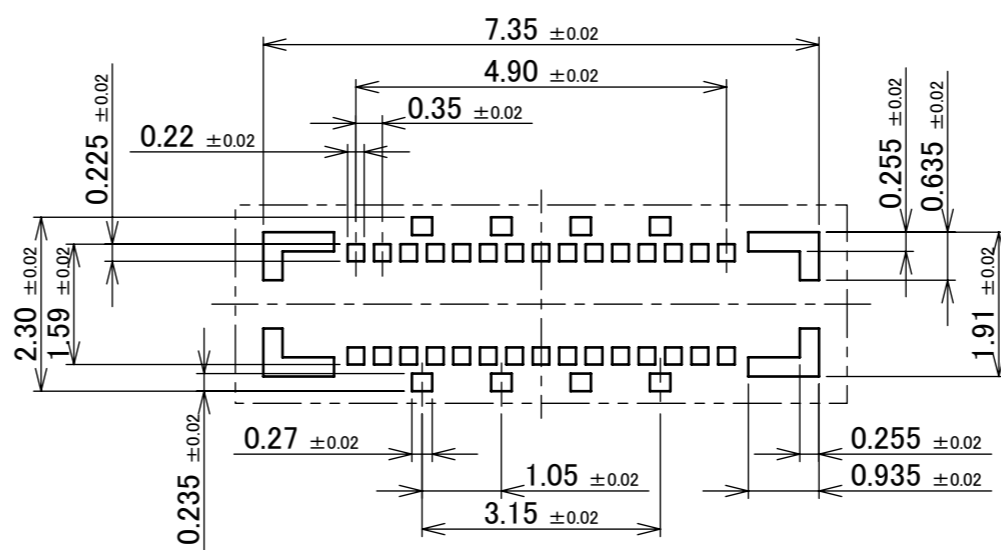
There is a possibility of dent shape in the bottom surface of HOUSING.



RECOMMENDED PATTERN LAYOUT



DO NOT MOUNT ANY OTHER COMPONENTS IN THIS AREA.



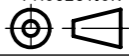

RECOMMENDED METAL MASK LAYOUT
THICKNESS = 0.08 mm

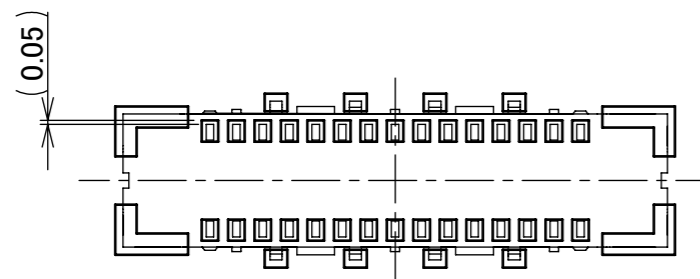
NOTES.
1. FOOT PRINT PATTERN PROHIBITION AREA :
SOLDER RESIST MUST BE APPLIED TO THIS HATCHED AREA
IF SURFACE TRACES ARE ROUNDED.

3	SHELL	COPPER ALLOY	SOLDERING PART Au 0.01 μm MIN. OVER Ni 1.27 μm MIN.
2	CONTACT	COPPER ALLOY	CONTACT PART Au 0.05 μm MIN. OVER Ni 1.27 μm MIN. SOLDERING PART Au 0.01 μm MIN. OVER Ni 1.27 μm MIN.
1	HOUSING	LCP	UL94V-0 BLACK
NO.	DISCRIPTION	MATERIAL	FINISH, REMARKS

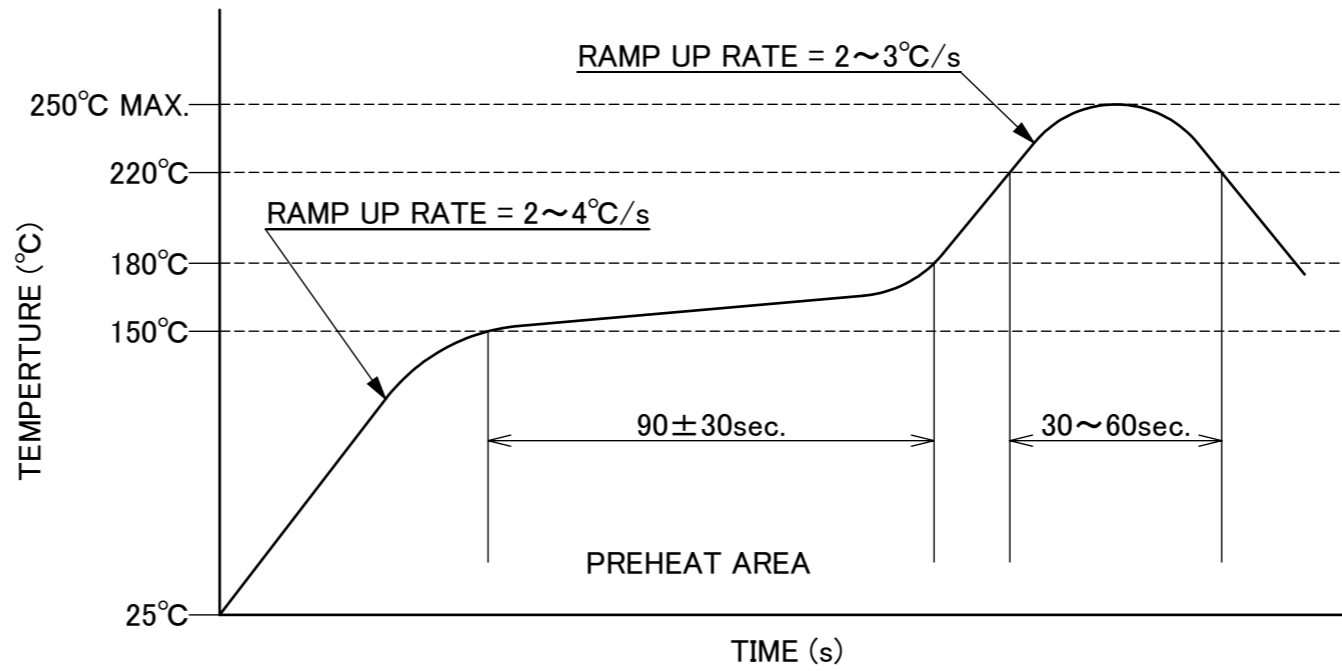
ANGLE	±2°	6 OVER 30 MAX.	±0.3	PROJECTION ⊕	SERIES No. R3	CUSTOMER COPY	
	6 MAX.	±0.2	30 OVER 120 MAX.			±0.5	SCALE 10:1
GENERAL TOLERANCE.				TITLE NOVASTACK® 35-HDN RECEPTACLE ASS'Y		UNIT mm	SHEET 3/6
DWG.	DATE			DWG. No. 20865		REV. 8	
CHK.							
APP.							

ITEMS	SPECIFICATION
RATING VOLTAGE	60V AC(r.m.s) / DC (PER A CONTACT)
RATING AMPERAGE (FOR SIGNAL CONTACT)	10P:1.0 A MAX. AC/DC x PIN COUNTS = 10.0 A (TOTAL) 12P AND OVER : 12.0 A AC/DC (TOTAL)
OPERATING TEMPERATURE	233~358K(-40°C~85°C)
OPERATING HUMIDITY	85% MAX.(NON-CONDENDING)
CONTACT RESISTANCE (FOR SIGNAL CONTACT)	INITIAL : 40mohm MAX. / AFTER TEST : Δ 40mohm MAX.
CONTACT RESISTANCE (FOR GROUND)	INITIAL : 20mohm MAX. / AFTER TEST : Δ 20mohm MAX.
INSULATION RESISTANCE	INITIAL : 1,000Mohm MIN. / AFTER TEST : 500Mohm MIN.
DIELECTRIC WITHSTANDING VOLTAGE	AC250V 1min
DURABILITY	10 CYCLES
MATING FORCE (INITIAL / AFTER TEST)	INITIAL 2.0N/Pin MAX.
UNMATING FORCE (INITIAL / AFTER TEST)	10 CYCLES 0.15N/Pin MIN.
COPLANARITY	0.08 MAX.
PRODUCT SPECIFICATION	PRS-2607
TEST REPORT	TR-19055
PACKING STANDARD	PST-18023
INSTRUCTION MANUAL	HIM-18019
APPEARANCE CRITERIA No.	QLS-A***

ANGLE	$\pm 2^\circ$	6 OVER 30 MAX.	± 0.3	PROJECTION 	SERIES No. R3	CUSTOMER COPY	
6 MAX.	± 0.2	30 OVER 120 MAX.	± 0.5				
GENERAL TOLERANCE.				TITLE NOVASTACK® 35-HDN RECEPTACLE ASS'Y	SCALE 	I-PEX	
DWG.	DATE						
CHK.							
APP.							
DWG. No.	20865			SIZE	SHEET	REV.	
				A3	4/6	8	



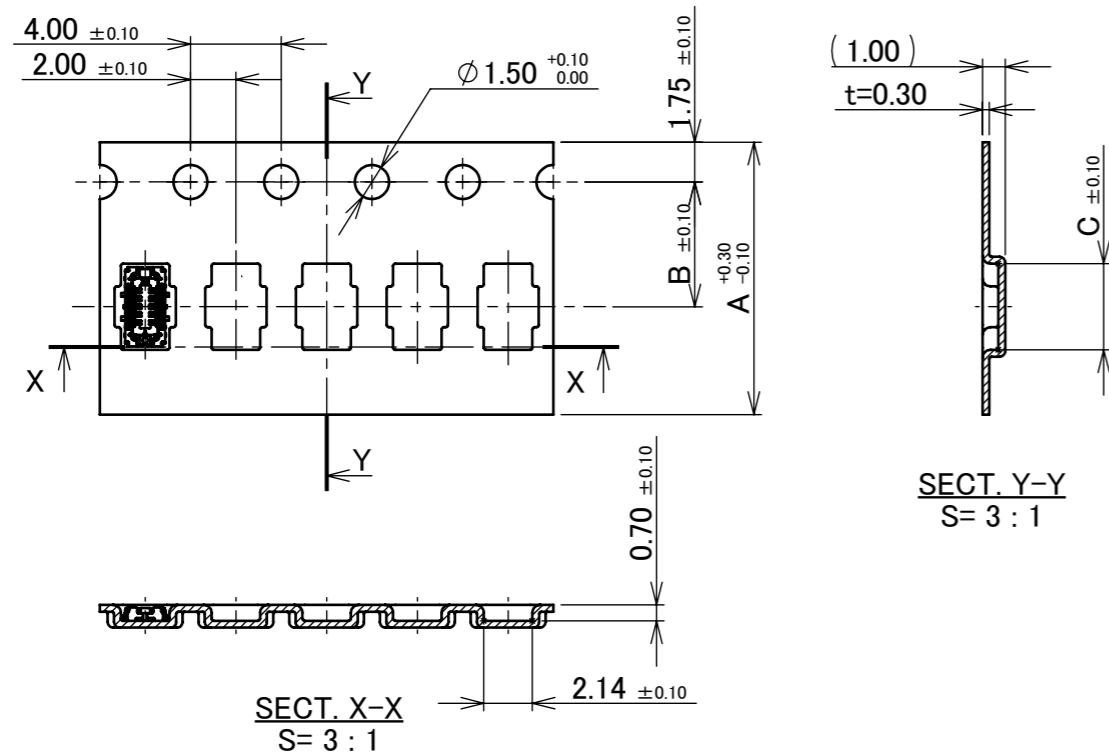
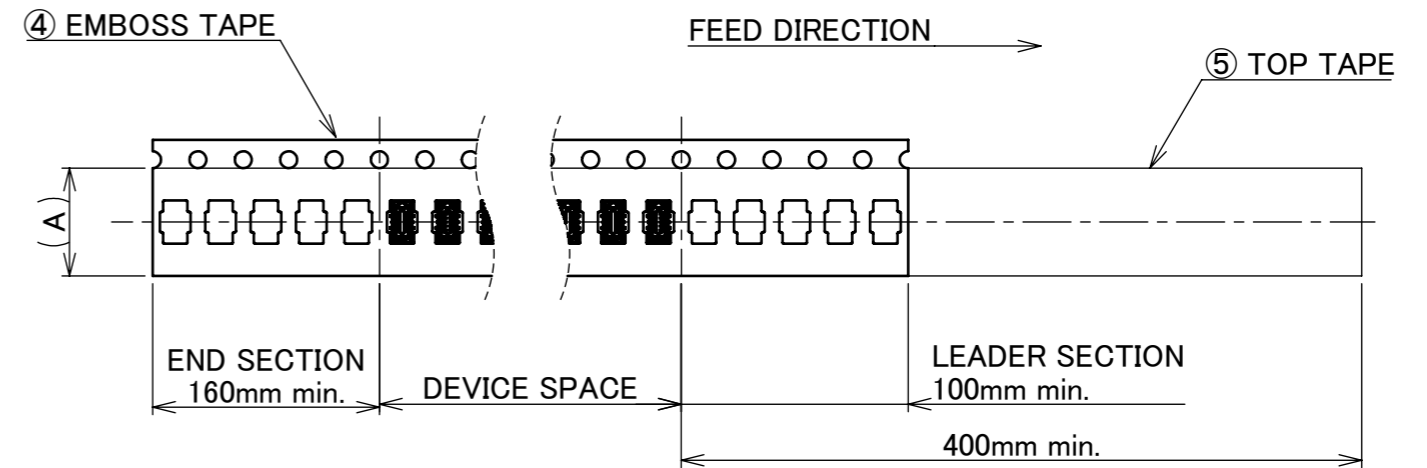
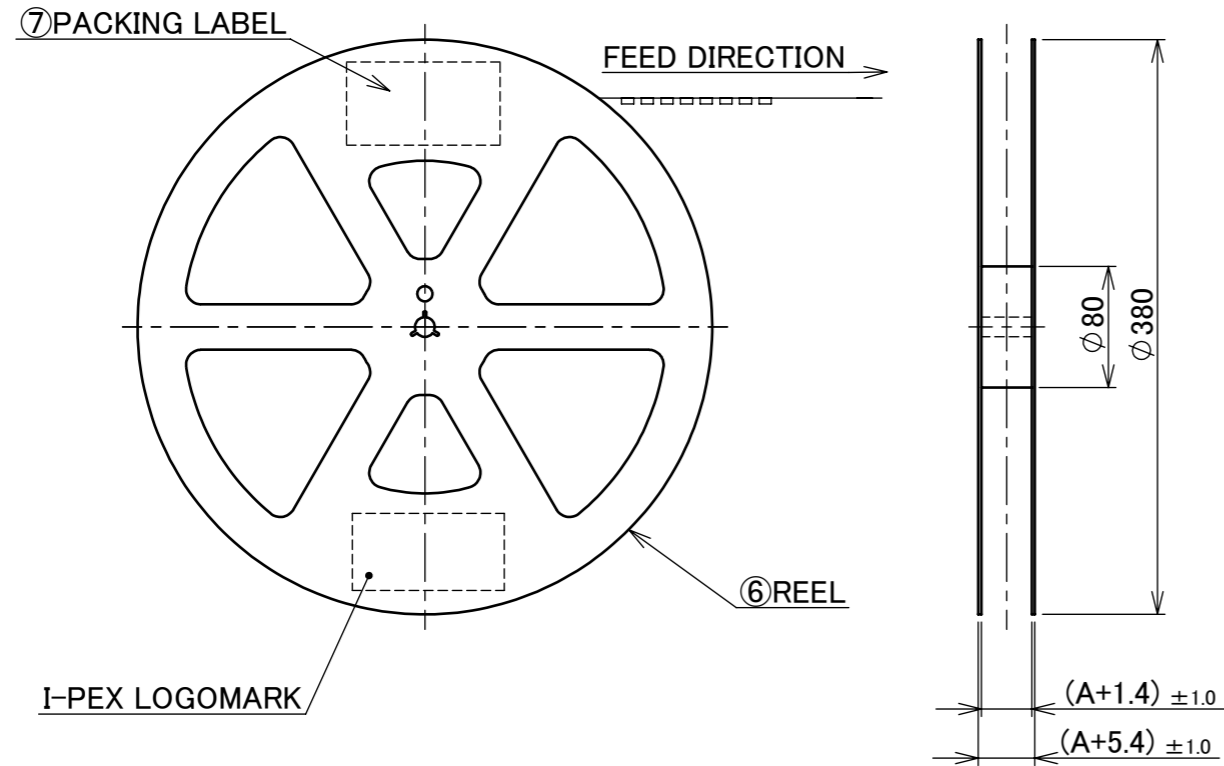
CONNECTOR ON RECOMMENDED FOOTPRINT PATTERN



REFLOW TEMPERATURE PROFILE
 SENJU METAL INDUSTRY CO., LTD. : M705-SHF(Sn96.5 Ag3.0 Cu0.5)

ANGLE	±2°	6 OVER 30 MAX.	±0.3	PROJECTION 	SERIES No. R3	CUSTOMER COPY		
6 MAX.	±0.2	30 OVER 120 MAX.	±0.5					
GENERAL TOLERANCE.				TITLE NOVASTACK® 35-HDN RECEPTACLE ASS'Y	SCALE 10:1	UNIT I-PEX		
DWG.	DATE							
CHK.								
APP.								
				DWG. No.	20865	SIZE A3	SHEET 5/6	REV. 8

PART NO.	Pos.	A	B	C	QTY. PER EMBOSS REEL (PIECES / REEL)	QTY. PER PACKING CARTON (REELS / CARTON)
20865-010E-03	10	12.0	5.50	3.80	20,000 / REEL	20,000 × 9 REELS=180,000
20865-020E-03	20	16.0	7.50	5.55		20,000 × 7 REELS=140,000
20865-030E-03	30	16.0	7.50	7.50		



- NOTES.
- TAPING SPECIFICATION FOLLOWS JIS C 0806 (IEC 60286-3).
 - MAKE EMPTY SECTION OF LEADER AND END ON EACH END OF THE TAPE.
 - TOP TAPE SHALL NOT STICK OUT FROM EMBOSS TAPE.
 - TOP TAPE SHALL NOT COVER FEED HOLE.

NO.	DISCRIPTION	MATERIAL	FINISH , REMARKS
7	PACKING LABEL	-	-
6	REEL	PS	ANTI-STATIC TYPE BLACK
5	TOP TAPE	PET t=0.062 TRANSPARENCY	ANTI-STATIC TYPE
4	EMBOSS TAPE	PS t=0.3 TRANSPARENCY	ANTI-STATIC TYPE

ANGLE	±2°	6 OVER 30 MAX.	±0.3	PROJECTION	SERIES No.	CUSTOMER COPY				
6 MAX.	±0.2	30 OVER 120 MAX.	±0.5		R3	<div style="text-align: center;"> </div>				
GENERAL TOLERANCE.				TITLE	SCALE				<div style="text-align: center;"> </div>	
DWG.	DATE		NOVASTACK® 35-HDN RECEPTACLE ASS'Y	1:X						
CHK.				UNIT	mm					
APP.			DWG. No.	20865	SIZE	SHEET	REV.			
					A3	6/6	8			