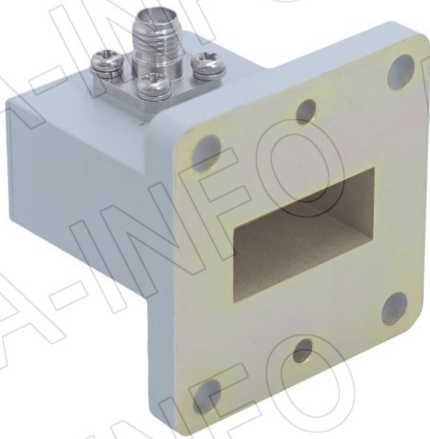
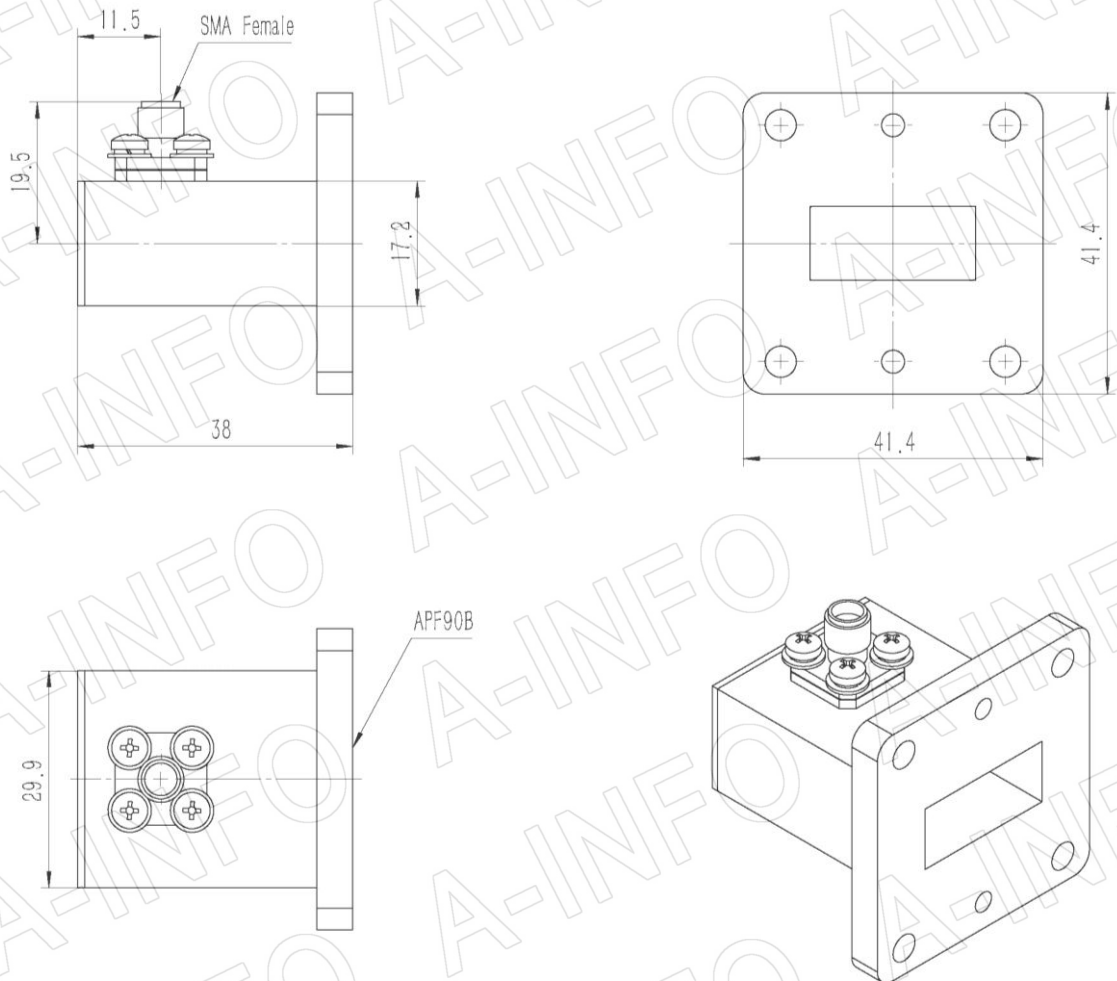


## Technical Specification



EIA WR	WR90
Frequency Range(GHz)	8.2 – 12.4
Insertion Loss(dB)	0.23 Max.
VSWR	1.25:1 Max.
Flange	APF90B
Connector	SMA-Female
Average Power(W CW)	50 Max.
Peak Power(KW)	3
Material	Al
Size(mm)	38 x 41.4 x 41.4
Net Weight(Kg)	0.06 Around

## Outline Drawing (Size: mm)



**AINFO Inc.**

Page 1 of 3

China(Beijing):  
China(Chengdu):  
USA :

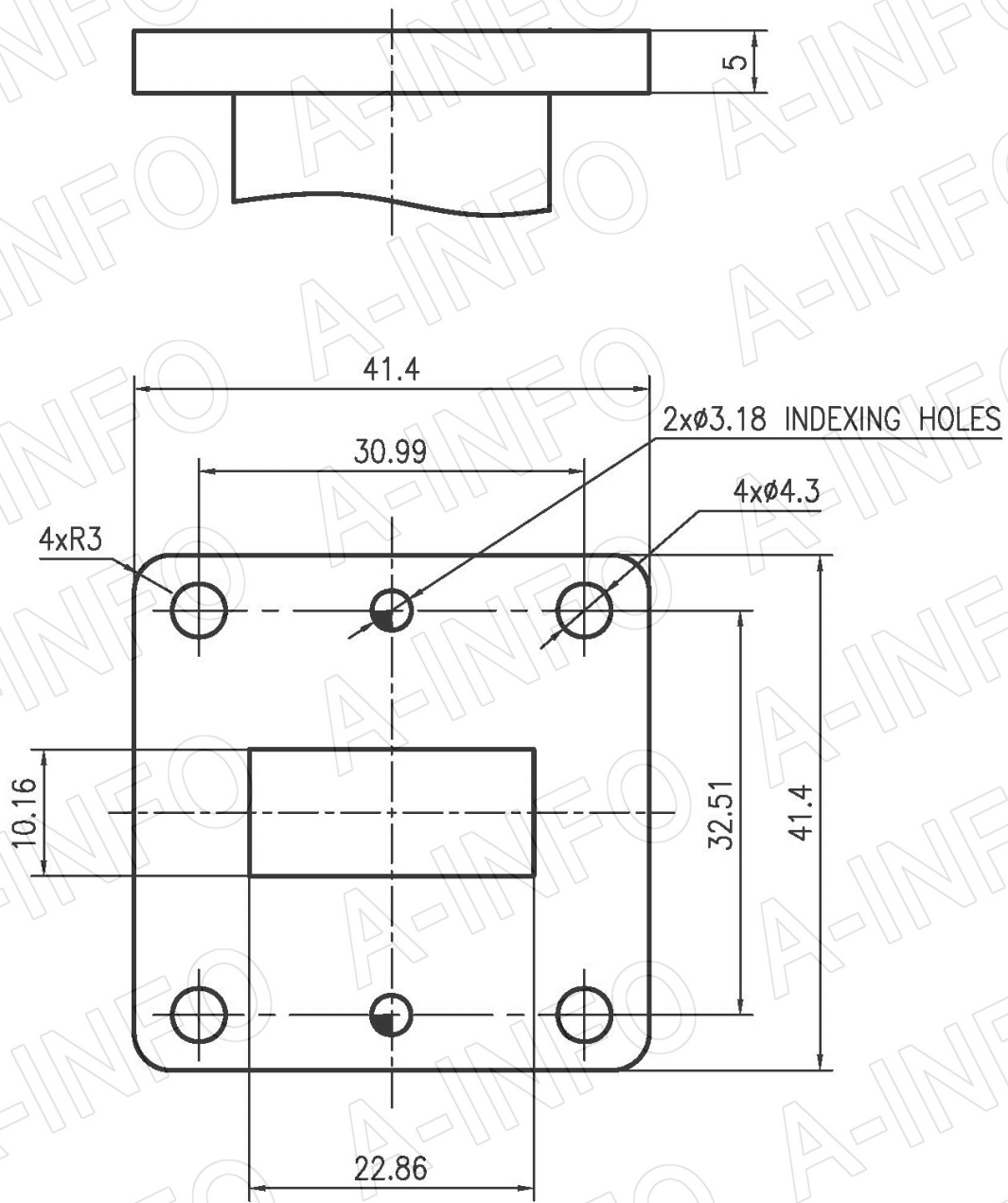
Tel: (+86) 10-6266-7326,  
Tel: (+86) 28-8519-2786,  
Tel: (+1) 949-639-9688,

(+86) 10-6266-7327  
(+86) 28-8519-3044  
(+1) 949-639-9608

Fax: (+86) 10-6266-7379  
Fax: (+86) 28-8519-3068  
Fax: (+1) 949-639-9670

Website: [www.ainfoinc.com](http://www.ainfoinc.com)  
Email: [sales@ainfoinc.com](mailto:sales@ainfoinc.com)

## Flange Drawing (Size: mm)



### APF90B

AINFO Inc.

Page 2 of 3

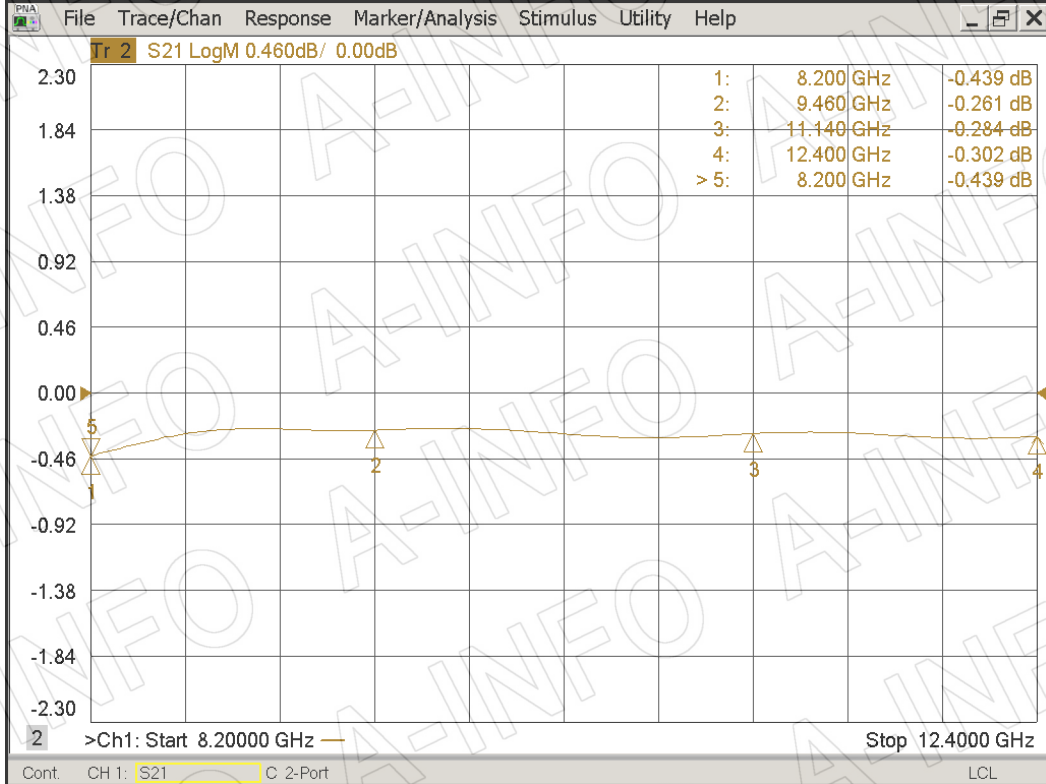
China(Beijing): Tel: (+86) 10-6266-7326,  
China(Chengdu): Tel: (+86) 28-8519-2786,  
USA: Tel: (+1) 949-639-9688,

(+86) 10-6266-7327 Fax: (+86) 10-6266-7379  
(+86) 28-8519-3044 Fax: (+86) 28-8519-3068  
(+1) 949-639-9608 Fax: (+1) 949-639-9670

Website: [www.ainfoinc.com](http://www.ainfoinc.com)  
Email: [sales@ainfoinc.com](mailto:sales@ainfoinc.com)

## Test Results

I. L. (Test with two adapters back to back)



## VSWR

