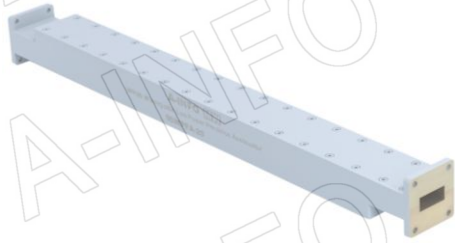


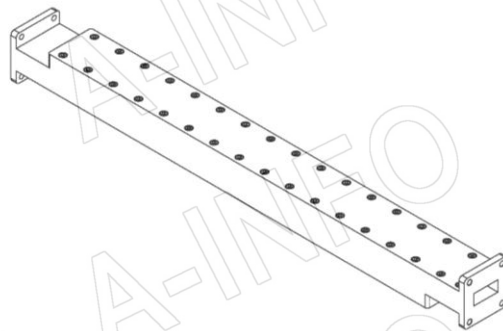
For reference only. See data sheet for the detailed specifications.

## Technical Specification

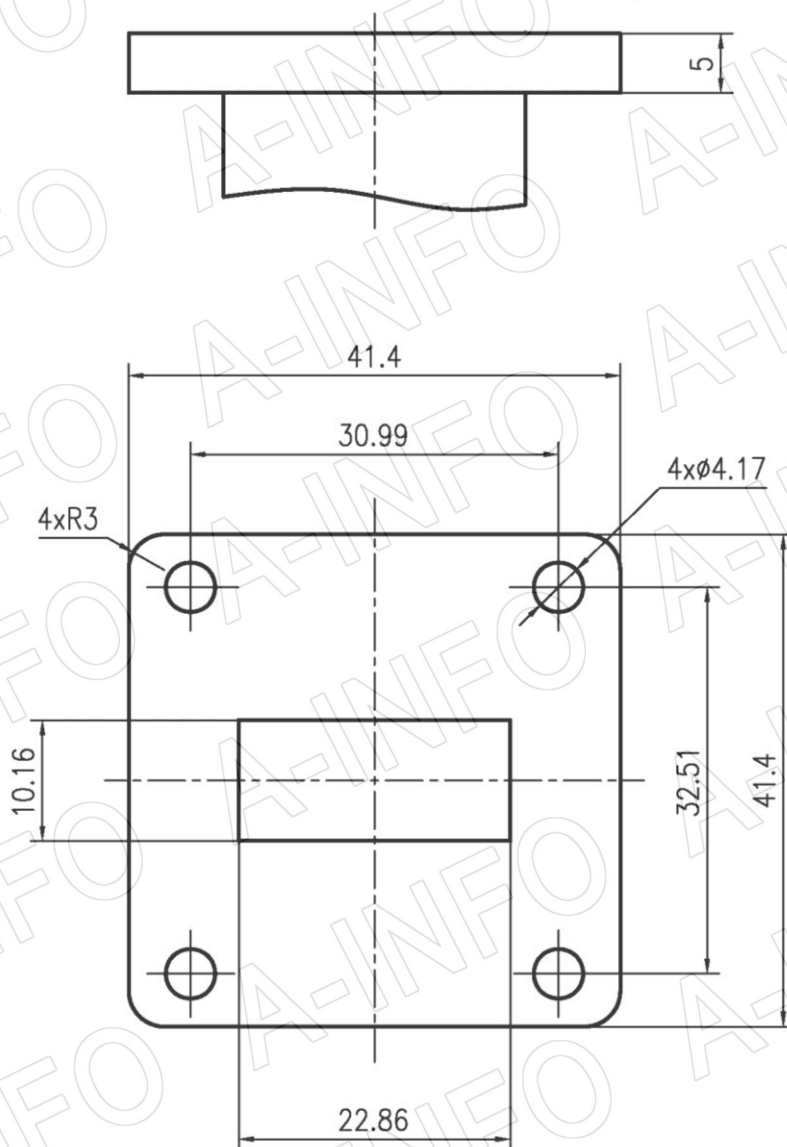


EIA WR	WR90
Frequency Range(GHz)	8.2 – 12.4
Attenuation(dB)	20
Attenuation Accuracy(dB)	±0.9 Max.
Attenuation Sensitivity(dB)	±0.7 Max.
VSWR	1.10:1 Max.
Average Power(W CW)	4
Peak Power(KW)	4
Flange	FBP100(UBR100)
Material	Al
Size(mm)	431.8 x 41.4 x 52.7
Net Weight(Kg)	0.95 Around

## Outline Drawing (Size: mm)



## Flange Drawing (Size: mm)



**FBP100**

### AINFO Inc.

China(Beijing): Tel: (+86) 10-6266-7326,  
 China(Chengdu): Tel: (+86) 28-8519-2786,  
 USA: Tel: (+1) 949-639-9688,

Page 2 of 3

(+86) 10-6266-7327 Fax: (+86) 10-6266-7379  
 (+86) 28-8519-3044 Fax: (+86) 28-8519-3068  
 (+1) 949-639-9608 Fax: (+1) 949-639-9670

Website: [www.ainfoinc.com](http://www.ainfoinc.com)  
 Email: [sales@ainfoinc.com](mailto:sales@ainfoinc.com)

## Test Results

### Attenuation & VSWR

