

JAC series(6-30A)

JAC -30 -683 -□

① ② ③ ④

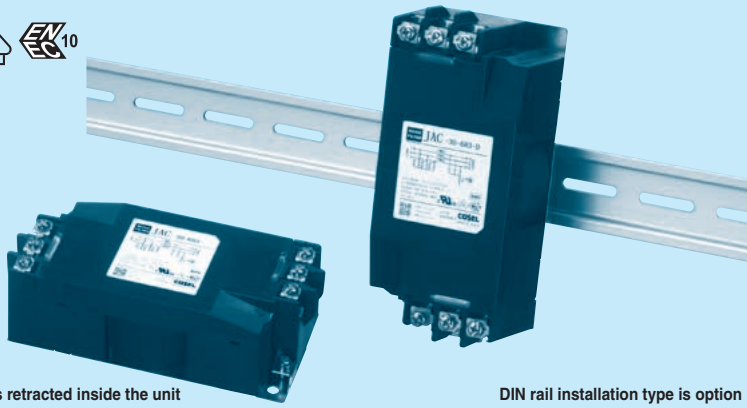
- ① Model Name
- ② Rated Current
- ③ Line to ground capacitor code: See table 1.1.

table 1.1 Line to ground capacitor code

Code	Leakage Current (Input 250/500V 60Hz) (Only "224" is 250/400V 60Hz)	Line to ground capacitor (nominal value)
103	0.5mA / 1.0mA max	10,000pF
223	1.0mA / 2.0mA max	22,000pF
683	2.5mA / 5.0mA max	68,000pF
224	15mA / 24mA max	220,000pF

* When the line to ground capacitor code is different, the attenuation characteristic is different.

- ④ Option
- D: DIN rail installation type
* The dimensions change when the option is set. Refer to External view.
- H: Ultra high-attenuation type
"103", "223", "683" is applied.
- U: Improve differential mode attenuation (Rated voltage 250V)



The terminal cover is retracted inside the unit

DIN rail installation type is option

Features of JAC series

Compact and low profile, common mode EMI/EMC filters in 150kHz to 1MHz (1-stage filter)

- Three Phase 500 VAC
- Push down type terminal block
- Selectable leakage current value, Ultra high-attenuation type "224" for EU (Y type with neutral earth system)

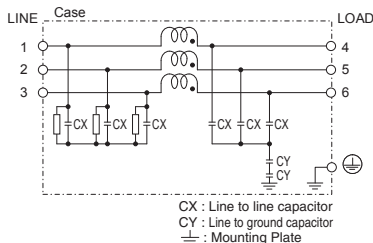
Specifications

No.	Items	JAC-06-683	JAC-10-683	JAC-20-683	JAC-30-683
1	Rated Voltage[V]	AC Three Phase 500 (voltage range: 528 max) 50/60Hz *1 *2			
2	Rated Current[A]	6	10	20	30
3	Test Voltage (Terminal-Mounting Plate)	2,500 VAC (Cutoff Current = 100mA), 1minute at room temperature and humidity *3			
4	Isolation Resistance (Terminal-Mounting Plate)	500 VDC 100MΩ min at room temperature and humidity *4			
5	Leakage current 250/500V 60Hz	2.5mA/5.0mA max			
6	DC resistance	100mΩ max	45mΩ max	15mΩ max	8mΩ max
7	Safety agency approval temperatures	-25 to +85°C (Refer to Derating Curve)			
8	Operating temperature	-40 to +85°C (Refer to Derating Curve)			
9	Operating humidity	20 to 95%RH (Non condensing)			
10	Storage temperature/humidity	-40 to +85°C/20 to 95%RH (Non condensing)			
11	Vibration	10 to 55Hz, 19.6m/s ² (2G), 3min. Period, 1hour each X, Y and Z axis			
12	Impact	196.1m/s ² (20G), 11ms Once each X, Y and Z axis			
13	Safety agency approvals	UL1283, CSA C22.2 No.8 (C-UL), DIN EN60939 VDE0565 Teil3-1, ENEC			
14	Case size (without projection)	63 X 44 X 132 mm (W X H X D) (Option: -D refer to external view) [2.48 X 1.73 X 5.20 inches] (W X H X D)			
15	Weight	440g max			

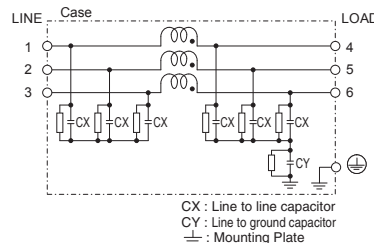
- *1 Capacitor code "224" : Three Phase Δ-connection 400 (440 max), Y-connection 500 (528 max).
- *2 "JAC-□□□□□□□□-U" : Three Phase 250 (275 max).
- *3 Capacitor code "224" : 2,800VDC (Cutoff Current = 10mA), 1 minute at room temperature and humidity.
- *4 Capacitor code "224" : Isolation resistance specification is deleted.

Circuit Diagram

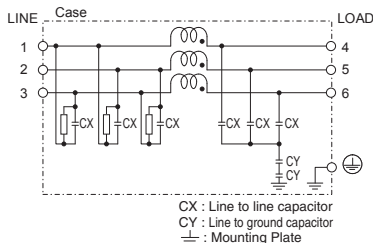
(1) Line to ground capacitor code : 103, 223, 683



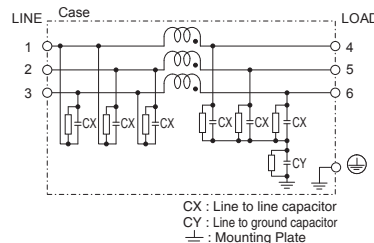
(2) Line to ground capacitor code : 224



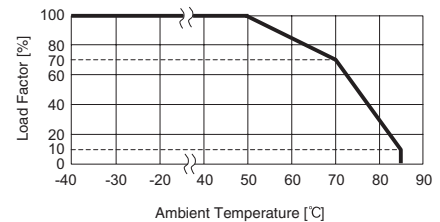
(3) Line to ground capacitor code : 103, 223, 683
Option : U



(4) Line to ground capacitor code : 224
Option : U



Derating Curve

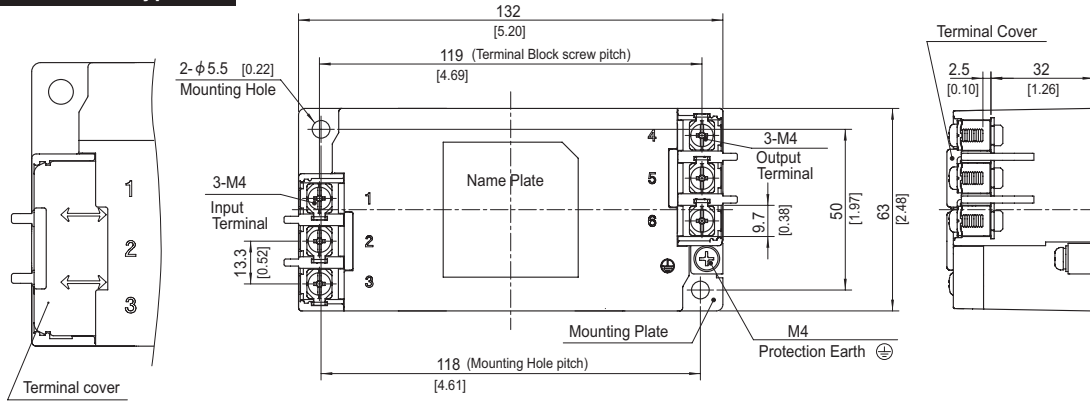


External view

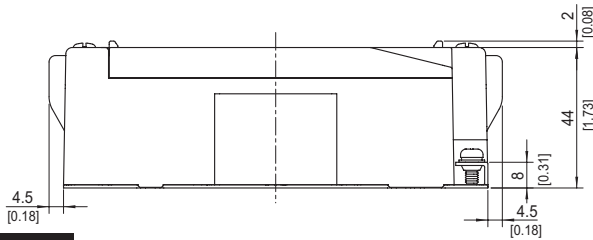
As this product is adopted push-down type terminal block, this appearance is as follows.

- ① The terminal cover is retracted inside the unit.
- ② The screws for connecting the terminals are held in the up right position.

Standard Type

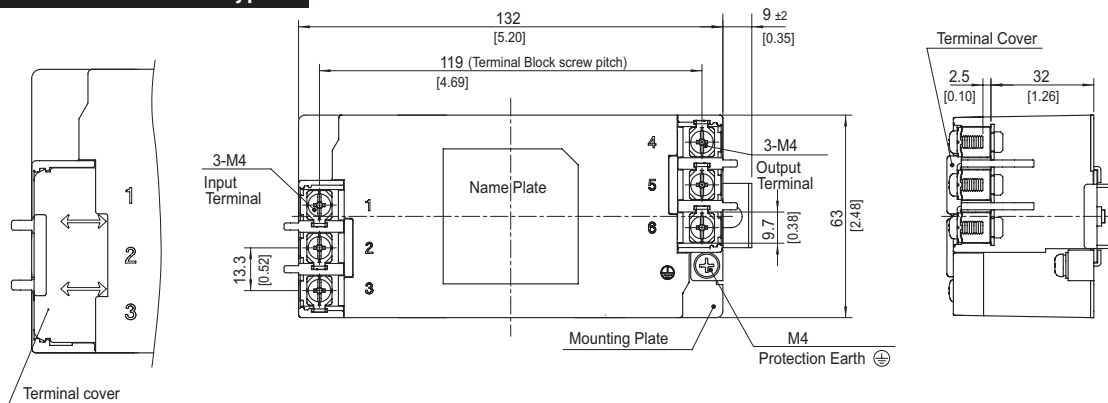


※ Close the terminal cover

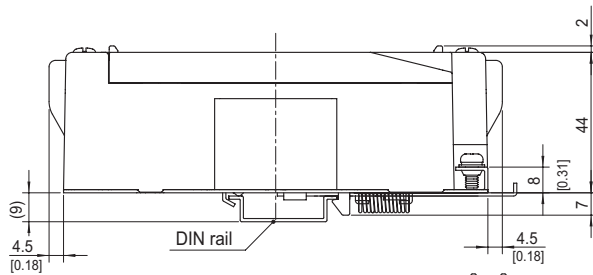


- ※ Tolerance : $\pm 1[\pm 0.04]$
- ※ Weight : 440g max
- ※ Mounting Plate : Iron(surface finishing : nickel plating) $t=1.0[0.04]$
- ※ Case : PBT
- ※ Dimensions in mm, []=inches
- ※ Terminal block screw tightening torque M4 : $1.6N \cdot m(16.9kgf \cdot cm)$ max

DIN rail installation Type



※ Close the terminal cover

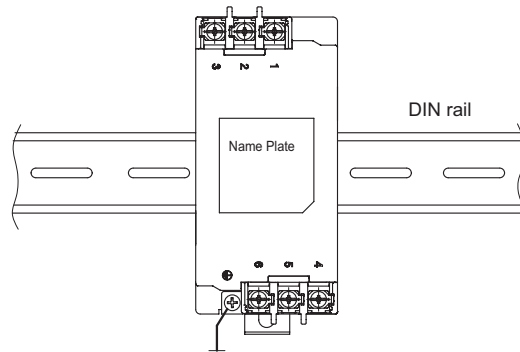


- ※ Tolerance : $\pm 1[\pm 0.04]$
- ※ Weight : 440g max
- ※ Mounting Plate : Iron(surface finishing : nickel plating) $t=1.0[0.04]$
- ※ Case : PBT
- ※ Dimensions in mm, []=inches
- ※ Terminal block screw tightening torque M4 : $1.6N \cdot m(16.9kgf \cdot cm)$ max

■ Note when installing the EMI/ EMC Filter on a DIN rail.

When the EMI/EMC Filter is grounded through the DIN rail, the proper noise attenuation may not be achieved.

Be sure to connect the protection earth (PE) of the EMI/EMC Filter body to the earth.





Макро Групп – это:

- дистрибьютор электронных компонентов с 1994 года
- контрактный производитель электроники с 2007 года с собственным производством в Санкт-Петербурге (компания Макро EMC, входит в ГК Макро Групп)
- поставщик полупроводниковых материалов
- комплексный поставщик электронных компонентов
- моделирование и производство полупроводниковых эпитаксиальных гетероструктур для задач оптоэлектроники

Головной офис расположен в Санкт-Петербурге. Собственные представительства в крупных промышленных городах России и стран СНГ.

Преимущества для наших заказчиков:

- работа по тендерам с 2012 года
- оформление банковских гарантий
- отсрочки платежей
- поставка электронных компонентов по проектным ценам
- инженерная поддержка проектов заказчиков
- сертификат системы менеджмента качества ISO 9001-2015
- необходимые сертификаты и лицензии

Данный файл получен с сайта www.macrogroup.ru