

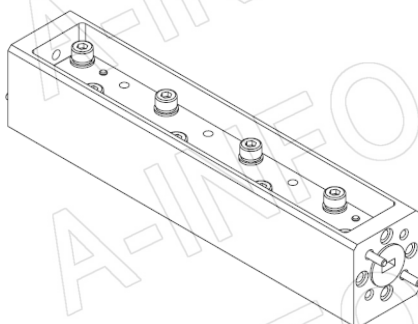
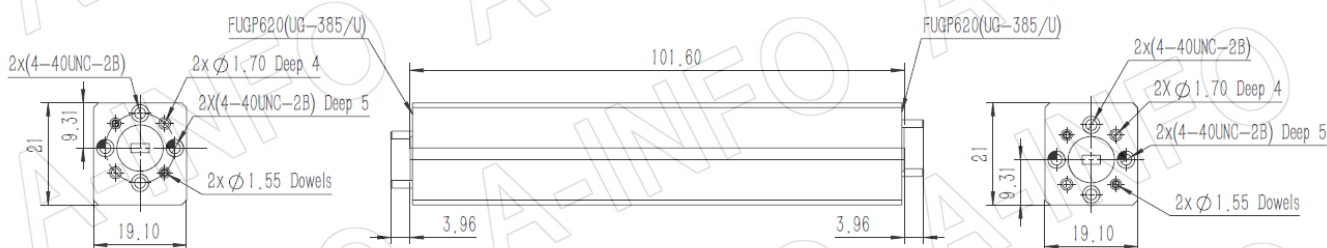
For reference only. See data sheet for the detailed specifications.

## Technical Specification

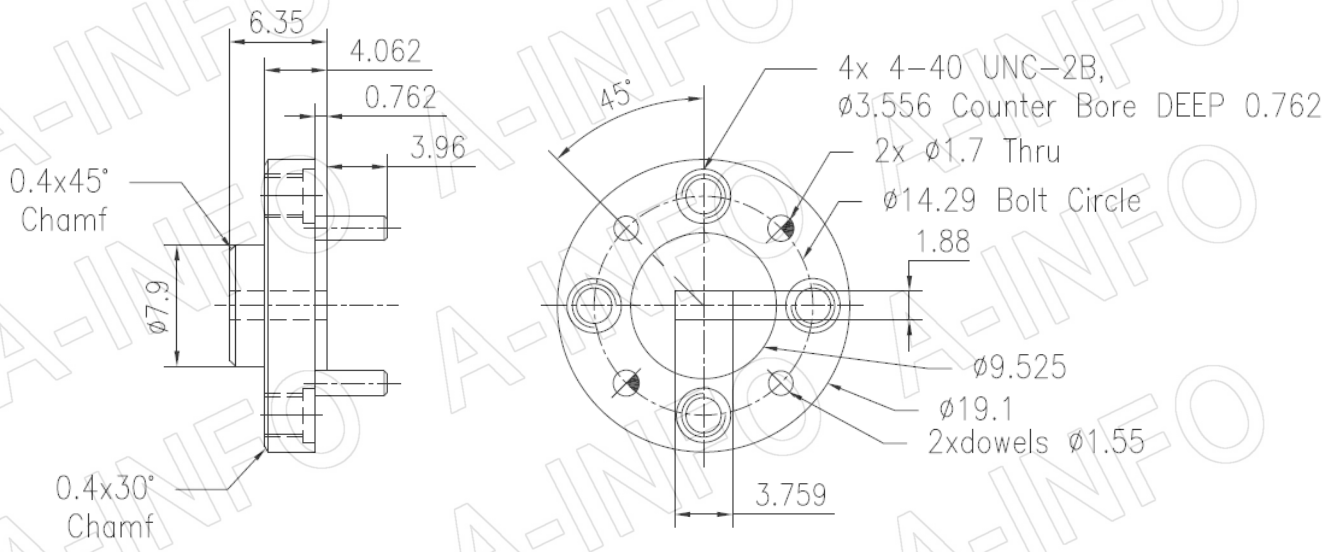


EIA WR	WR15
Frequency Range(GHz)	50.0 – 75.0
Attenuation(dB)	3
Attenuation Accuracy(dB)	±1.3 Max.
Attenuation Sensitivity(dB)	±0.9 Max.
VSWR	1.20:1 Max.
Average Power(W CW)	3
Peak Power(KW)	1.5
Flange	FUGP620(UG-385/U)
Material	Cu
Size(mm)	101.6 x 19.1 x 21
Net Weight(Kg)	0.16 Around

## Outline Drawing (Size: mm)



## Flange Drawing (Size: mm)

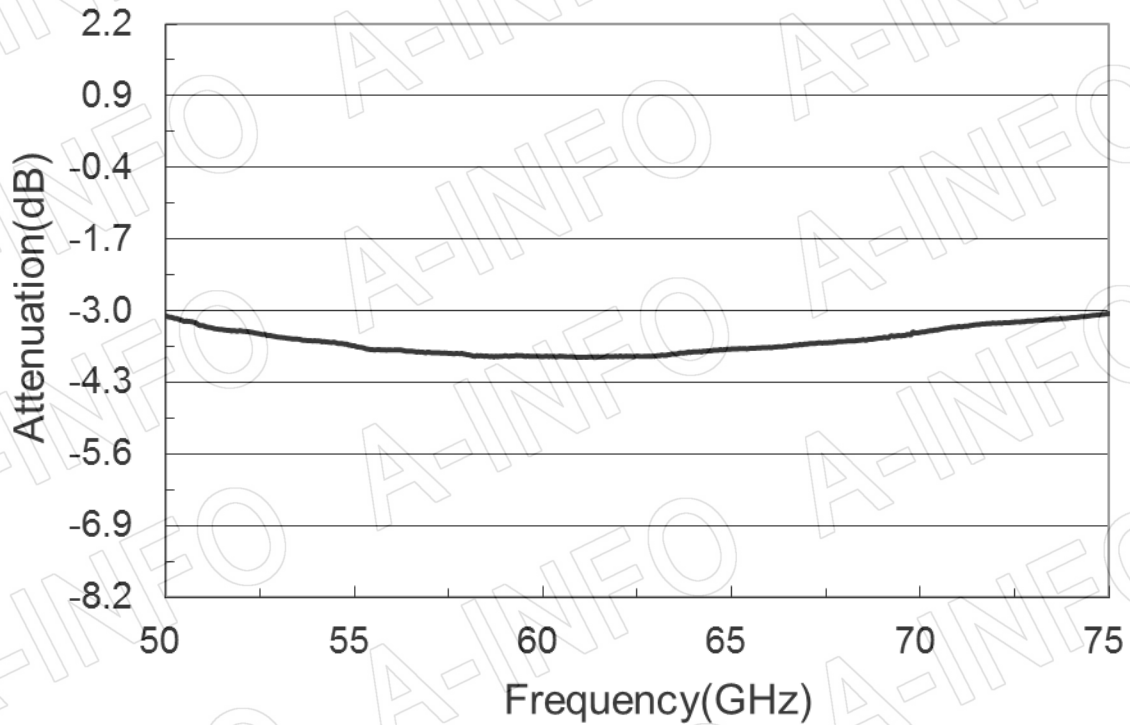


FUGP620  
(equivalent to UG-385/U)

## Test Results

### Attenuation

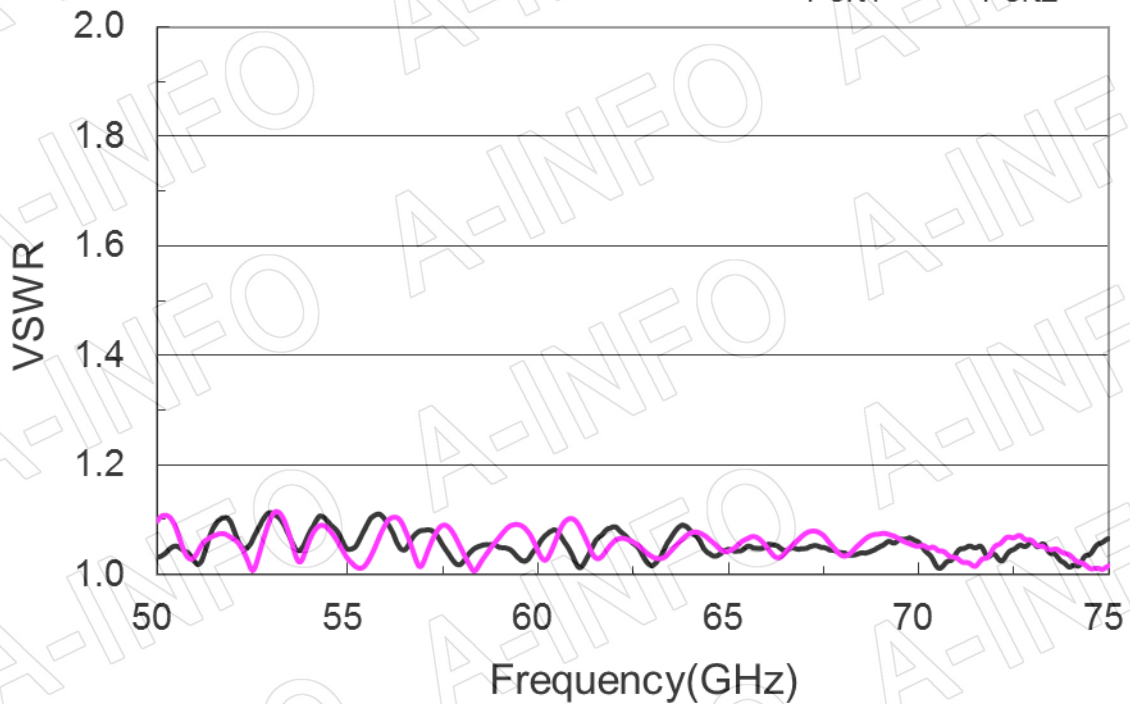
Max: -3.048 dB Min: -3.844 dB Mean: -3.548 dB



### VSWR

Port1 Max: 1.115 Port2 Max: 1.116

— Port1 — Port2





**AINFO Inc.**

Page 4 of 3

China(Beijing): Tel: (+86) 10-6266-7326,  
China(Chengdu): Tel: (+86) 28-8519-2786,  
USA : Tel: (+1) 949-639-9688,

(+86) 10-6266-7327 Fax: (+86) 10-6266-7379  
(+86) 28-8519-3044 Fax: (+86) 28-8519-3068  
(+1) 949-639-9608 Fax: (+1) 949-639-9670

Website: [www.ainfoinc.com](http://www.ainfoinc.com)  
Email: [sales@ainfoinc.com](mailto:sales@ainfoinc.com)