



RoHS compliant
Multi-Rate 1470~1610 nm CWDM Transceiver, (26dB margin)
Small Form Pluggable (SFP), with Diagnostic Monitoring
2.67Gb/OC48/2FC/GbE/FC/OC12/OC3/Fast Ethernet



Features

- SFF8472 diagnostic monitoring interface
- Industry standard small form pluggable (SFP) package
- Multi-Rate
- With APD
- Duplex LC connector
- Differential inputs and outputs
- Single power supply 3.3V
- TTL signal detect indicator
- Hot Pluggable
- Class 1 laser product complies with EN 60825-1

Ordering Information

PART NUMBER	WAVELENGTH	INPUT/OUTPUT	SIGNAL DETECT	VOLTAGE	TEMPERATURE
LS48-E3U-TC-N47-DD	1470 nm	AC/AC	TTL	3.3V	0°C to 70°C
LS48-E3U-TC-N49-DD	1490 nm	AC/AC	TTL	3.3V	0°C to 70°C
LS48-E3U-TC-N51-DD	1510 nm	AC/AC	TTL	3.3V	0°C to 70°C
LS48-E3U-TC-N53-DD	1530 nm	AC/AC	TTL	3.3V	0°C to 70°C
LS48-E3U-TC-N55-DD	1550 nm	AC/AC	TTL	3.3V	0°C to 70°C
LS48-E3U-TC-N57-DD	1570 nm	AC/AC	TTL	3.3V	0°C to 70°C
LS48-E3U-TC-N59-DD	1590 nm	AC/AC	TTL	3.3V	0°C to 70°C
LS48-E3U-TC-N61-DD	1610 nm	AC/AC	TTL	3.3V	0°C to 70°C



RoHS compliant
Multi-Rate 1470~1610 nm CWDM Transceiver, (26dB margin)
Small Form Pluggable (SFP), with Diagnostic Monitoring
2.67Gb/OC48/2FC/GbE/FC/OC12/OC3/Fast Ethernet

Diagnostics

Parameter	Range	Accuracy	Unit	Calibration
Temperature	-10 to 85	± 3	$^{\circ}\text{C}$	External
Voltage	3.1 to 3.5	± 0.1	V	
Bias Current	0 to 90	$\pm 10\%$	mA	
TX Power	-2 to +3	± 3 dB	dBm	
RX Power	-28 to -9	± 3 dB	dBm	

Absolute Maximum Ratings

PARAMETER	SYMBOL	MIN	MAX	UNITS	NOTE
Storage Temperature	T_S	-40	85	$^{\circ}\text{C}$	
Supply Voltage	V_{CC}	-0.5	4.0	V	
Input Voltage	V_{IN}	-0.5	V_{CC}	V	

Recommended Operating Conditions

PARAMETER	SYMBOL	MIN	MAX	UNITS	NOTE
Case Operating Temperature	T_C	0	70	$^{\circ}\text{C}$	
Supply Voltage	V_{CC}	3.1	3.5	V	
Supply Current	$I_{TX} + I_{RX}$	---	300	mA	



RoHS compliant
Multi-Rate 1470~1610 nm CWDM Transceiver, (26dB margin)
Small Form Pluggable (SFP), with Diagnostic Monitoring
2.67Gb/OC48/2FC/GbE/FC/OC12/OC3/Fast Ethernet

Transmitter Electro-optical Characteristics

$V_{CC} = 3.1 \text{ V to } 3.5 \text{ V}, T_C = 0^\circ \text{ C to } 70^\circ \text{ C}$

PARAMETER	SYMBOL	MIN	TYP.	MAX	UNITS	NOTE
Output Optical Power 9/125 μm fiber	P_{out}	-2	---	+3	dBm	Average
Extinction Ratio	ER	8.2	---	---	dB	
Central Wavelength (-N47)		1464.5	---	1477.5		
Central Wavelength (-N49)		1484.5	---	1497.5		
Central Wavelength (-N51)		1504.5	---	1517.5		
Central Wavelength (-N53)	λ_C	1524.5	---	1537.5	nm	
Central Wavelength (-N55)		1544.5	---	1557.5		
Central Wavelength (-N57)		1564.5	---	1577.5		
Central Wavelength (-N59)		1584.5	---	1597.5		
Central Wavelength (-N61)		1604.5	---	1617.5		
Spectral Width (-20dB)	$\Delta\lambda$	---	---	0.7		
Side Mode Suppression Ratio	$SMSR$	30	---	---	dB	
Output Eye	Compliant with Telcordia GR-253-CORE Issue 3 and ITU-T recommendation G-957					
Max. P_{out} TX-DISABLE Asserted	P_{OFF}	---	---	-45	dBm	
Differential Input Voltage	V_{DIFF}	0.4	---	2.0	V	
Optical path dispersion penalty				2	dB	
Maximum dispersion				1680	ps/nm	



RoHS compliant
Multi-Rate 1470~1610 nm CWDM Transceiver, (26dB margin)
Small Form Pluggable (SFP), with Diagnostic Monitoring
2.67Gb/OC48/2FC/GbE/FC/OC12/OC3/Fast Ethernet

Receiver Electro-optical Characteristics

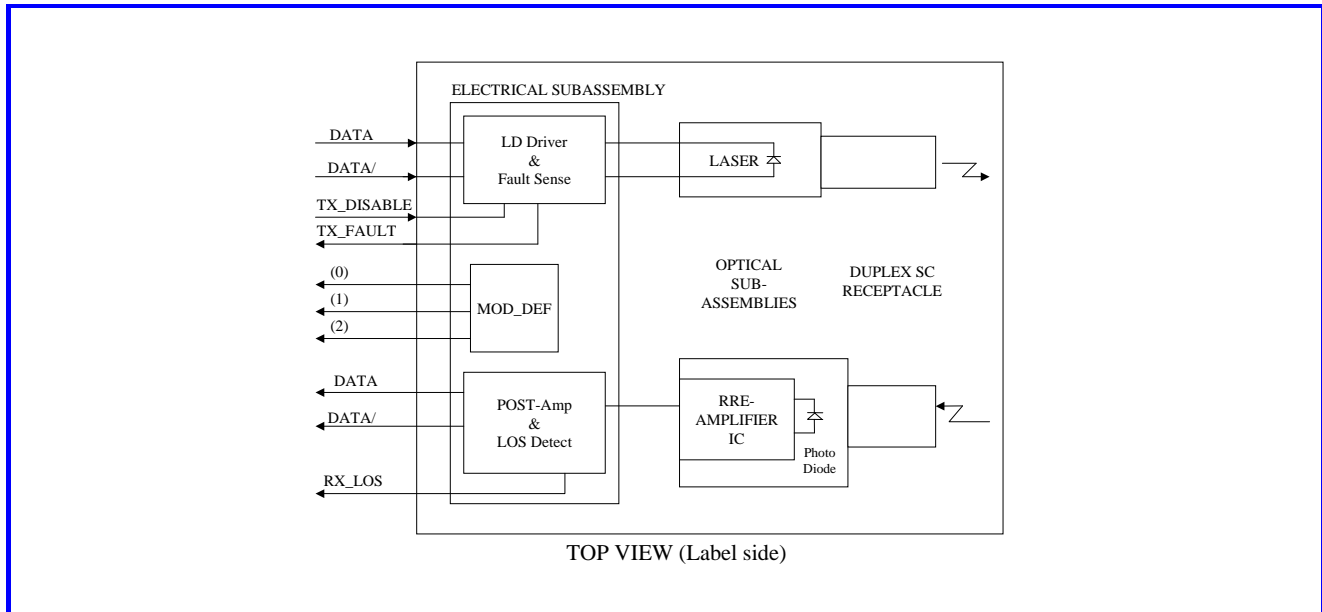
$V_{CC} = 3.1\text{ V to }3.5\text{ V}, T_C = 0^\circ\text{C to }70^\circ\text{C}$

PARAMETER	SYMBOL	MIN	TYP.	MAX	UNITS	NOTE
Optical Input Power-maximum	P_{IN}	-8	---	---	dBm	BER < 10^{-10}
RX Sensitivity @2.67 Gb/s	P_{IN}	---	---	-28	dBm	PRBS23, BER < 10^{-10}
RX Sensitivity @OC-48	P_{IN}	---	---	-28	dBm	PRBS23, BER < 10^{-10}
RX Sensitivity @2xFC	P_{IN}	---	---	-28	dBm	PRBS7, BER < 10^{-12}
RX Sensitivity @GbE	P_{IN}	---	---	-28	dBm	PRBS7, BER < 10^{-12}
RX Sensitivity @OC-12	P_{IN}	---	---	-28	dBm	PRBS23, BER < 10^{-10}
RX Sensitivity @OC-3	P_{IN}	---	---	-28	dBm	PRBS23, BER < 10^{-10}
RX Sensitivity @Fast ethernet	P_{IN}	---	---	-28	dBm	PRBS7, BER < 10^{-10}
Operating Center Wavelength	λ_C	1460	---	1620	nm	
Optical Return Loss	ORL	-27	---	---	dB	
LOS-Deasserted	P_A	---	---	-28	dBm	
LOS-Asserted	P_D	-45	---	---	dBm	
Differential Output Voltage	V_{DIFF}	0.5	---	1.2	V	
Receiver Loss of Signal Output Voltage-Low	RX_LOS_L	0	---	0.5	V	
Receiver Loss of Signal Output Voltage-High	RX_LOS_H	2.4	---	V_{CC}	V	



RoHS compliant
Multi-Rate 1470~1610 nm CWDM Transceiver, (26dB margin)
Small Form Pluggable (SFP), with Diagnostic Monitoring
2.67Gb/OC48/2FC/GbE/FC/OC12/OC3/Fast Ethernet

Block Diagram of Transceiver



Transmitter Section

The transmitter section consists of an InGaAsP laser in an eye safe optical subassembly (OSA) which mates to the fiber cable. The laser OSA is driven by a LD driver IC which converts differential input logic signals into an analog laser driving current.

TX_DISABLE

The TX_DISABLE signal is high (TTL logic “1”) to turn off the laser output. The laser will turn on when TX_DISABLE is low (TTL logic “0”).

Receiver Section

The receiver utilizes an APD photodiode mounted together with a trans-impedance preamplifier IC in an OSA. This OSA is connected to a circuit providing post-amplification quantization, and optical signal detection.

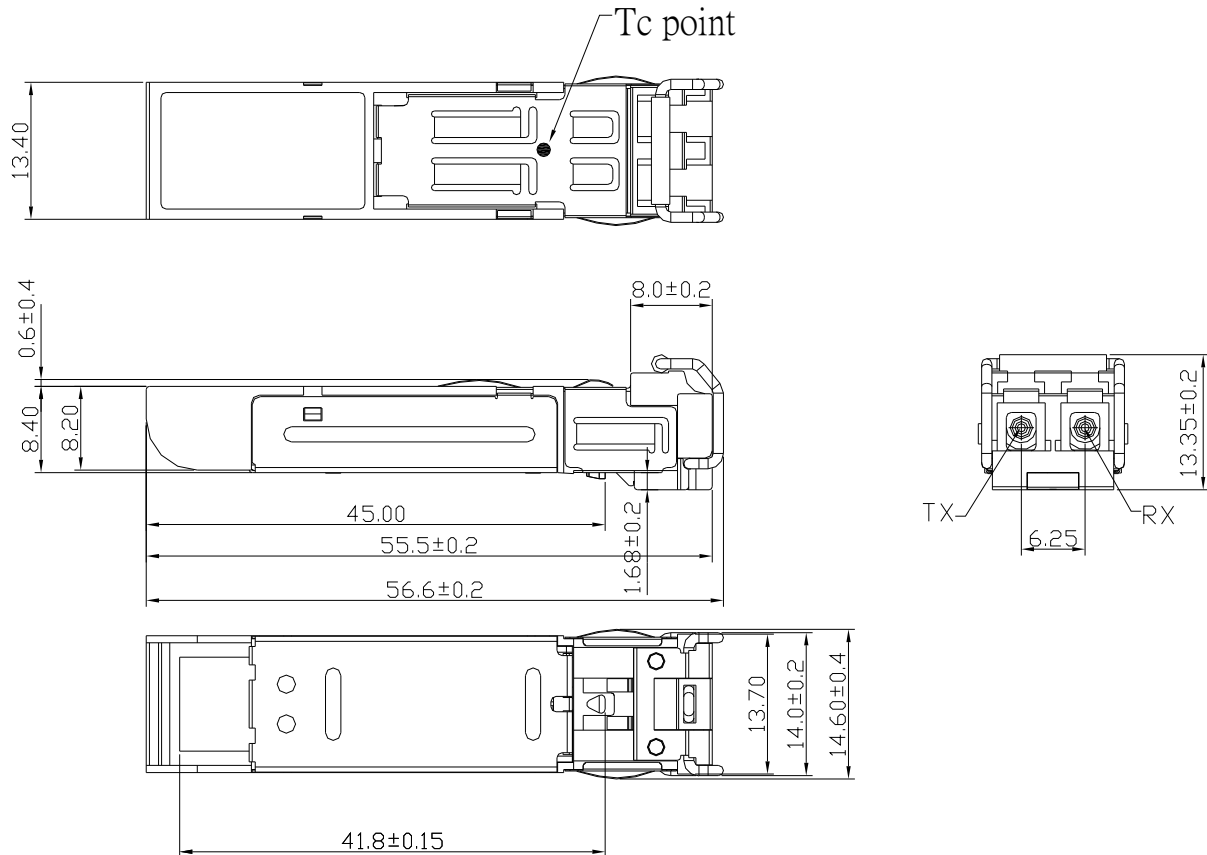
Receive Loss (RX_LOS)

The RX_LOS is high (logic “1”) when there is no incoming light from the companion transceiver. This signal is normally used by the system for the diagnostic purpose. The signal is operated in TTL level.



RoHS compliant
Multi-Rate 1470~1610 nm CWDM Transceiver, (26dB margin)
Small Form Pluggable (SFP), with Diagnostic Monitoring
2.67Gb/OC48/2FC/GbE/FC/OC12/OC3/Fast Ethernet

Dimensions

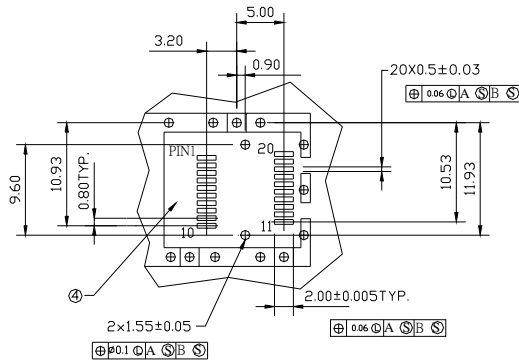
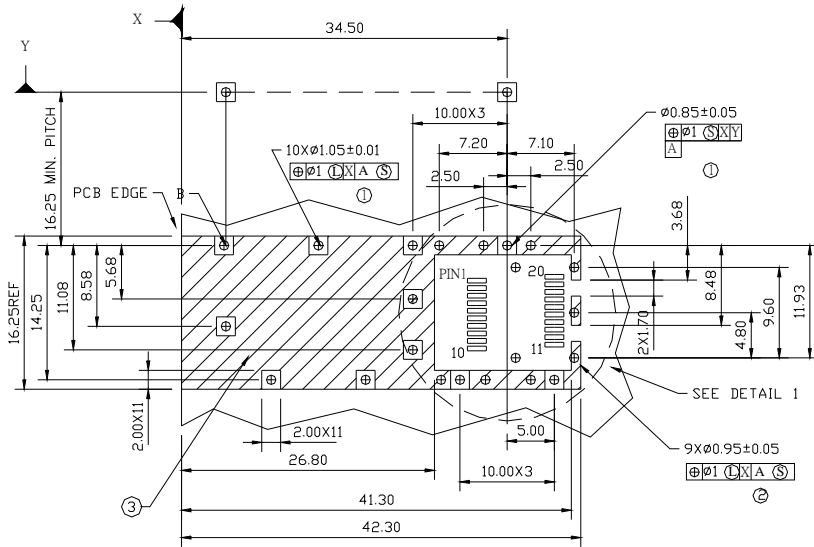


DIMENSIONS ARE IN MILLIMETERS

ALL DIMENSIONS ARE ± 0.1mm UNLESS OTHERWISE SPECIFIED

Unit: mm

SFP host board mechanical layout



DETAIL 1

LEGEND

- 1.PADS AND VIAS ARE CHASSIS GROUND
- 2.THROUGH HOLES, PLATING OPTIONAL
- 3.HATCHED AREA DENOTES COMPONENT AND TRACE KEEPOUT(EXCEPT CHASSIS GROUND)
- 4.AREA DENOTES COMPONENT KEEPOUT (TRACES ALLOWED)

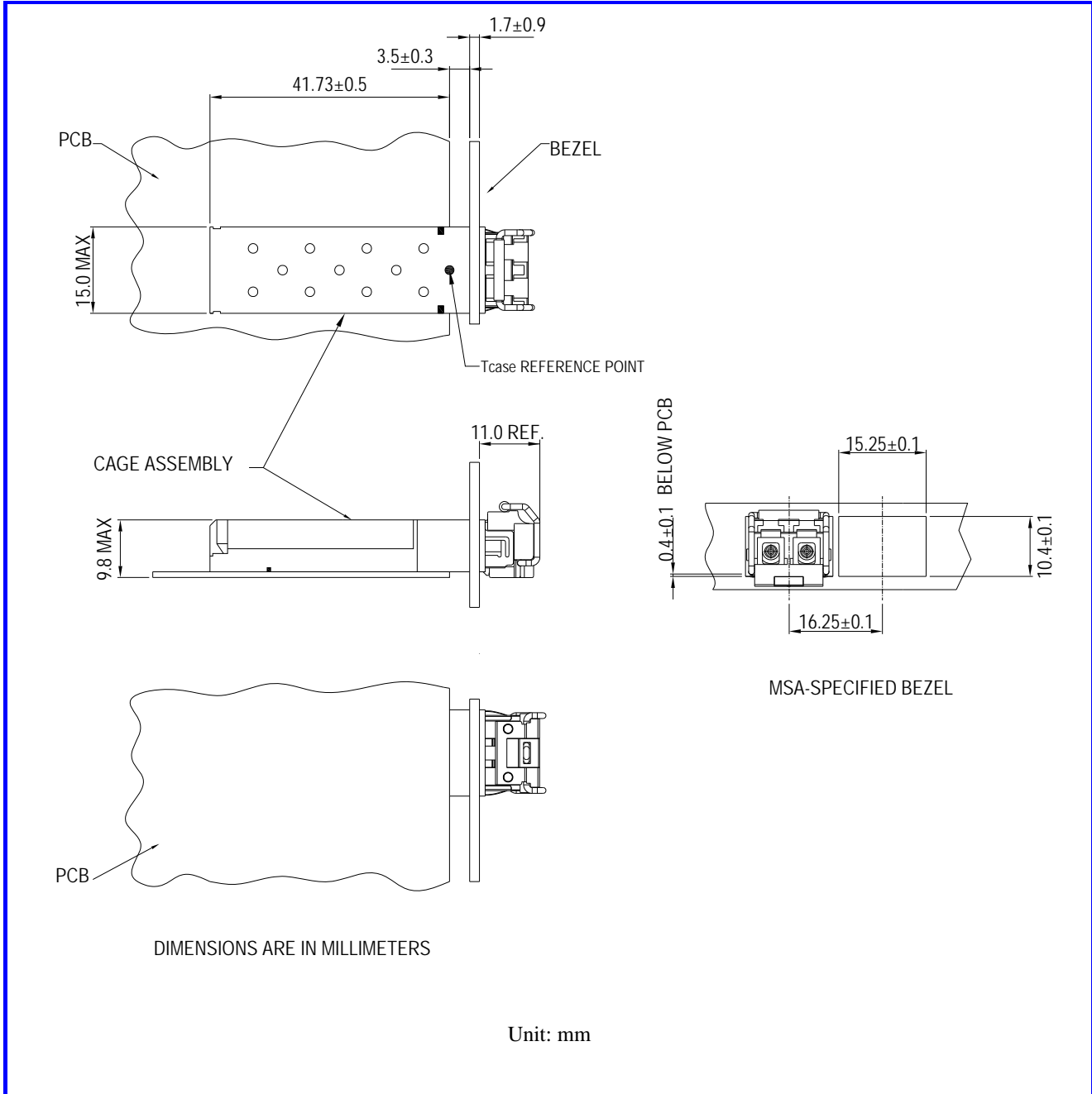
DIMENSIONS ARE IN MILLIMETERS

Unit: mm



RoHS compliant
Multi-Rate 1470~1610 nm CWDM Transceiver, (26dB margin)
Small Form Pluggable (SFP), with Diagnostic Monitoring
2.67Gb/OC48/2FC/GbE/FC/OC12/OC3/Fast Ethernet

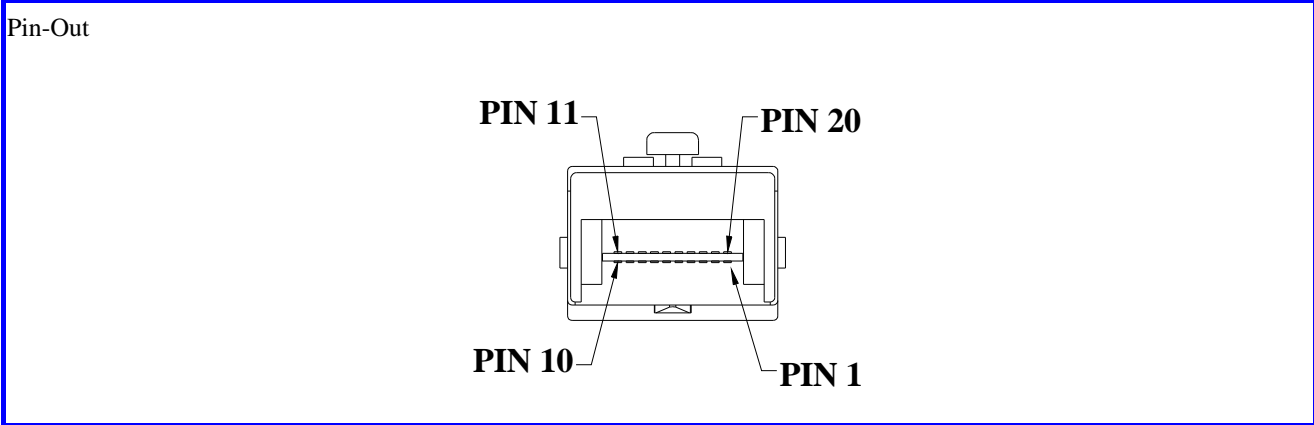
Assembly drawing





RoHS compliant
Multi-Rate 1470~1610 nm CWDM Transceiver, (26dB margin)
Small Form Pluggable (SFP), with Diagnostic Monitoring
2.67Gb/OC48/2FC/GbE/FC/OC12/OC3/Fast Ethernet

Pin Assignment



Pin	Signal Name	Description
1	T_{GND}	Transmit Ground
2	TX_FAULT	Transmit Fault
3	$TX_DISABLE$	Transmit Disable
4	$MOD_DEF (2)$	SDA Serial Data Signal
5	$MOD_DEF (1)$	SCL Serial Clock Signal
6	$MOD_DEF (0)$	TTL Low
7	$RATE_SELECT$	Open Circuit
8	RX_LOS	Receiver Loss of Signal, TTL High, open collector
9	R_{GND}	Receiver Ground
10	R_{GND}	Receiver Ground
11	R_{GND}	Receiver Ground
12	$RX-$	Receive Data Bar, Differential , ac coupled
13	$RX+$	Receive Data, Differential , ac coupled
14	R_{GND}	Receiver Ground
15	V_{CCR}	Receiver Power Supply
16	V_{CCT}	Transmitter Power Supply
17	T_{GND}	Transmitter Ground
18	$TX+$	Transmit Data, Differential , ac coupled
19	$TX-$	Transmit Data Bar, Differential , ac coupled
20	T_{GND}	Transmitter Ground

Note : All information contained in this document is subject to change without notice.