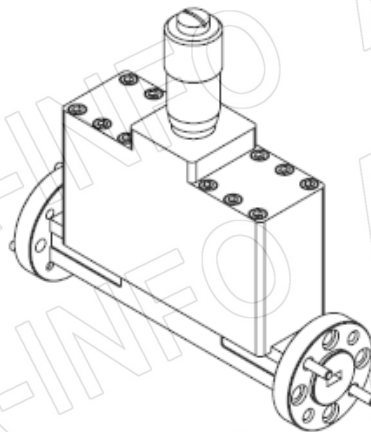
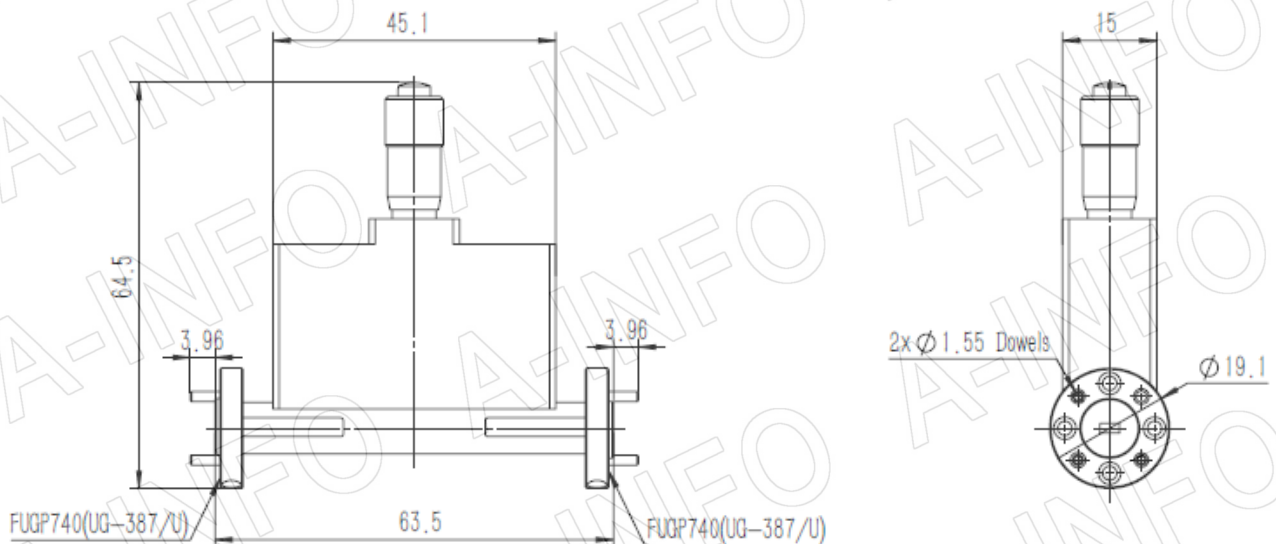


Technical Specification



EIA WR	WR12
Frequency Range(GHz)	60.0 - 90.0
Attenuation(dB)	0 - 30
Insertion Loss(dB)	0.5 Max.
VSWR	1.5:1 Max.
Average Power(W CW)	0.5
Flange	FUGP740(UG-387/U)
Material	Cu
Size(mm)	63.5 x 19.1 x 64.5
Net Weight(Kg)	0.15 Around

Outline Drawing (Size: mm)



AINFO Inc.

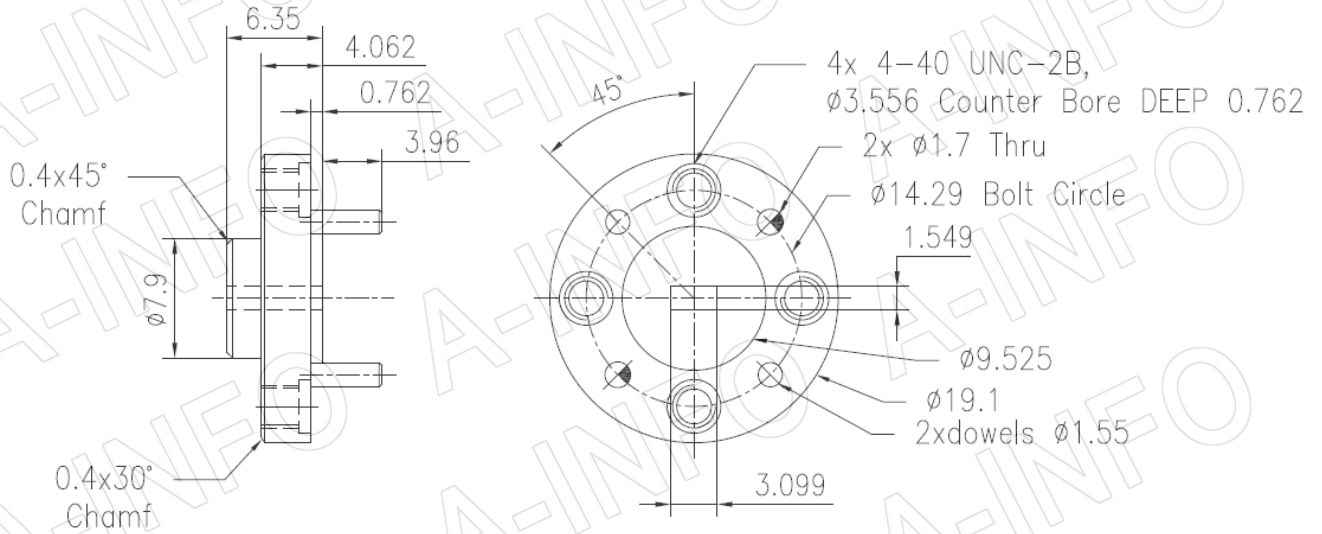
Page 1 of 4

China(Beijing): Tel: (+86) 10-6266-7326,
China(Chengdu): Tel: (+86) 28-8519-2786,
USA: Tel: (+1) 949-639-9688,

(+86) 10-6266-7327 Fax: (+86) 10-6266-7379
(+86) 28-8519-3044 Fax: (+86) 28-8519-3068
(+1) 949-639-9608 Fax: (+1) 949-639-9670

Website: www.ainfoinc.com
Email: sales@ainfoinc.com

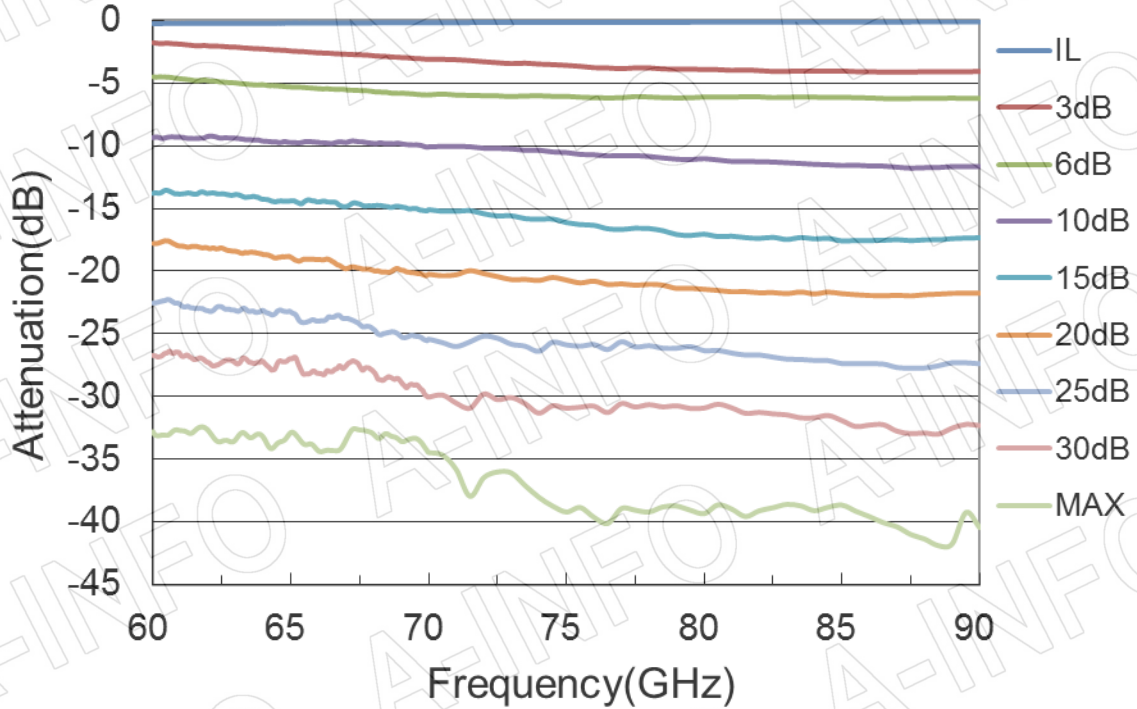
Flange Drawing (Size: mm)



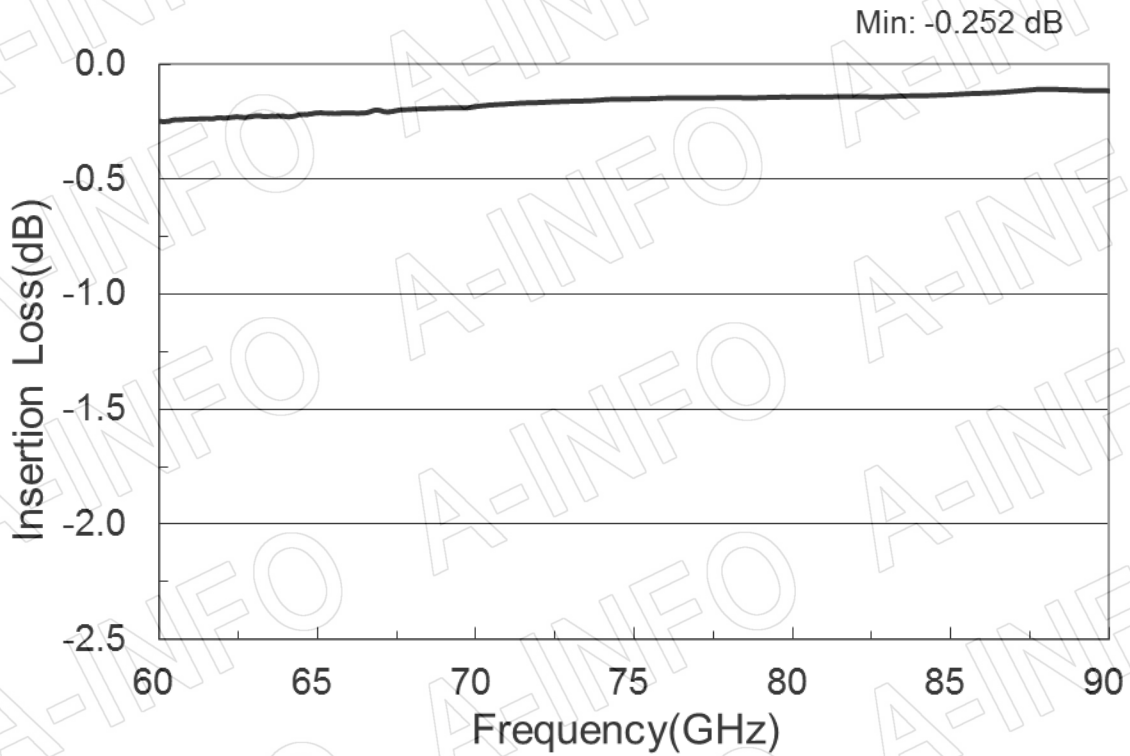
FUGP740
(equivalent to UG-387/U)

Test Results

Attenuation



I.L.



AINFO Inc.

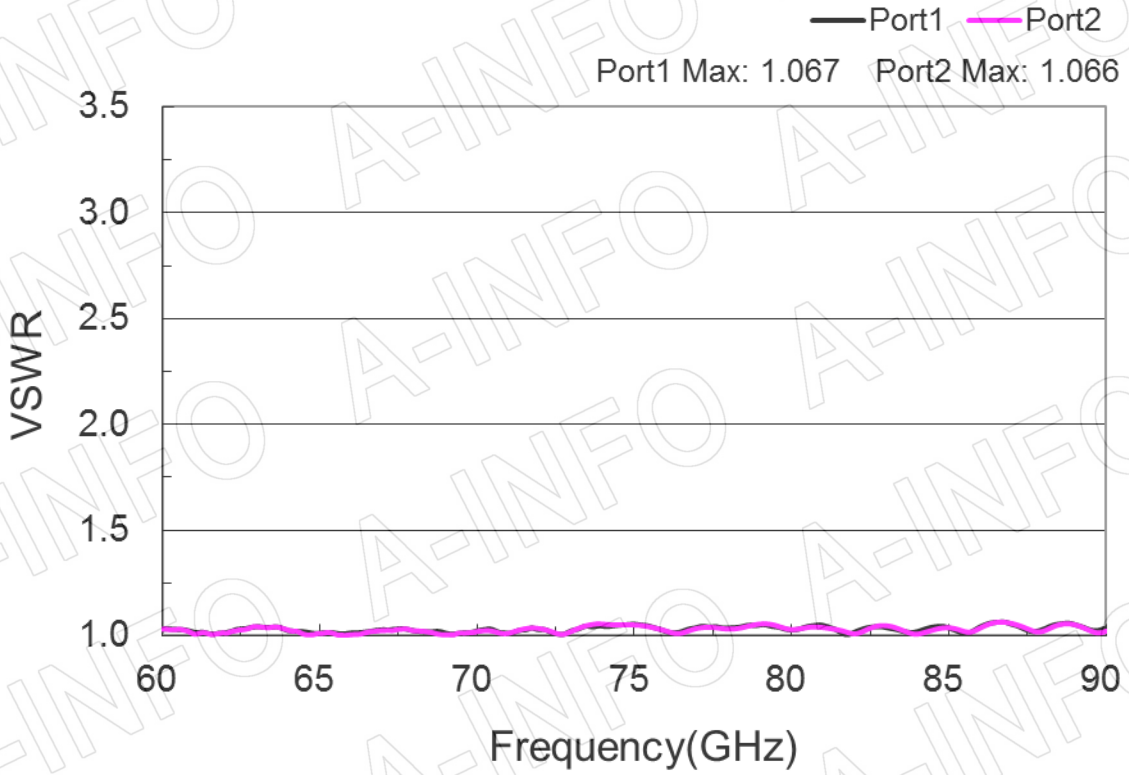
Page 3 of 4

China(Beijing): Tel: (+86) 10-6266-7326,
China(Chengdu): Tel: (+86) 28-8519-2786,
USA: Tel: (+1) 949-639-9688,

(+86) 10-6266-7327 Fax: (+86) 10-6266-7379
(+86) 28-8519-3044 Fax: (+86) 28-8519-3068
(+1) 949-639-9608 Fax: (+1) 949-639-9670

Website: www.ainfoinc.com
Email: sales@ainfoinc.com

VSWR



AINFO Inc.

Page 4 of 4

China(Beijing): Tel: (+86) 10-6266-7326,
China(Chengdu): Tel: (+86) 28-8519-2786,
USA: Tel: (+1) 949-639-9688,

(+86) 10-6266-7327 Fax: (+86) 10-6266-7379
(+86) 28-8519-3044 Fax: (+86) 28-8519-3068
(+1) 949-639-9608 Fax: (+1) 949-639-9670

Website: www.ainfoinc.com
Email: sales@ainfoinc.com