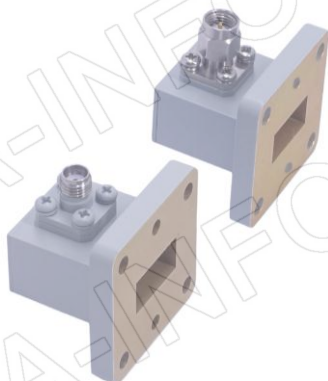


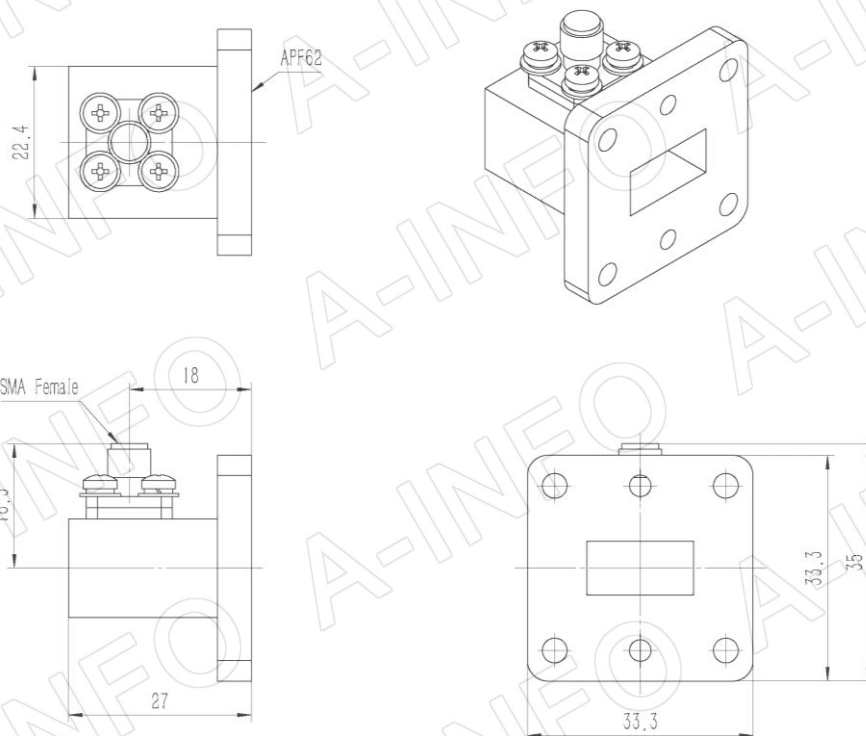
## Technical Specification



EIA WR	WR62
Frequency Range(GHz)	12.4 - 18.0
Insertion Loss(dB)	0.25 Max.
VSWR	1.25:1 Max.
Flange	APF62
Connector	SMA-Female or SMA-Male
Average Power(W CW)	50 Max.
Peak Power(KW)	3
Material	Al
Size(mm)	27 x 33.3 x 35
Net Weight(Kg)	0.04 Around

## Outline Drawing (Size: mm)

62WCAS\_P0 (With SMA-Female Output)



AINFO Inc.

Page 1 of 4

China(Beijing):  
China(Chengdu):  
USA :

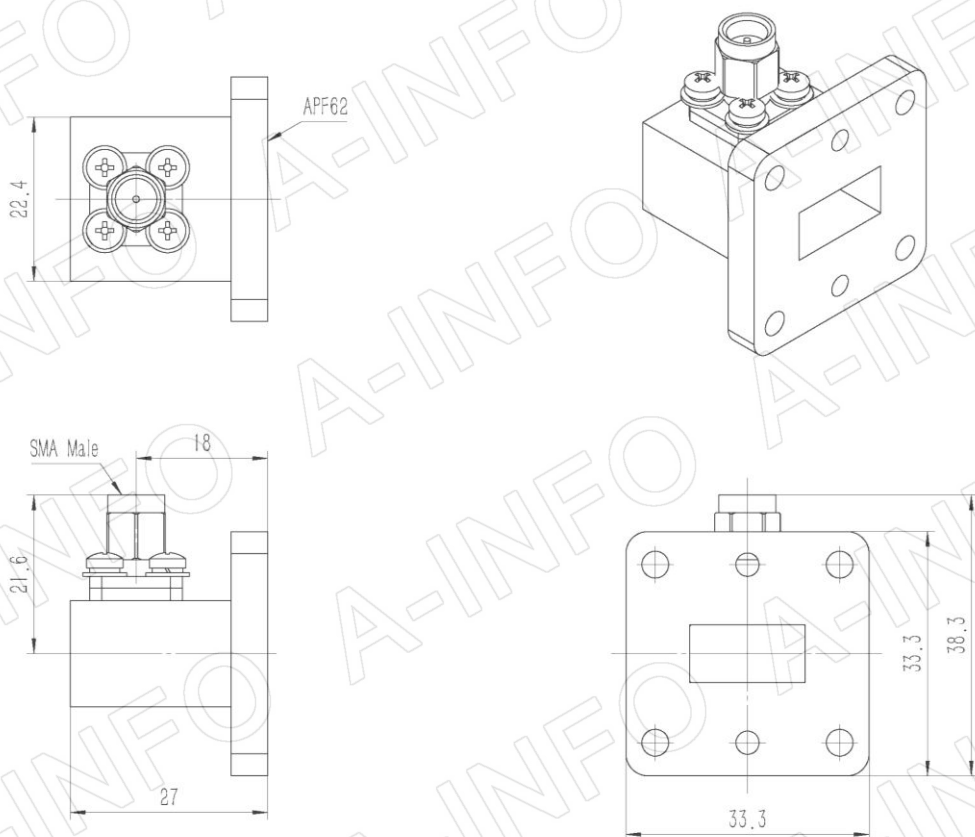
Tel: (+86) 10-6266-7326,  
Tel: (+86) 28-8519-2786,  
Tel: (+1) 949-639-9688,

(+86) 10-6266-7327  
(+86) 28-8519-3044  
(+1) 949-639-9608

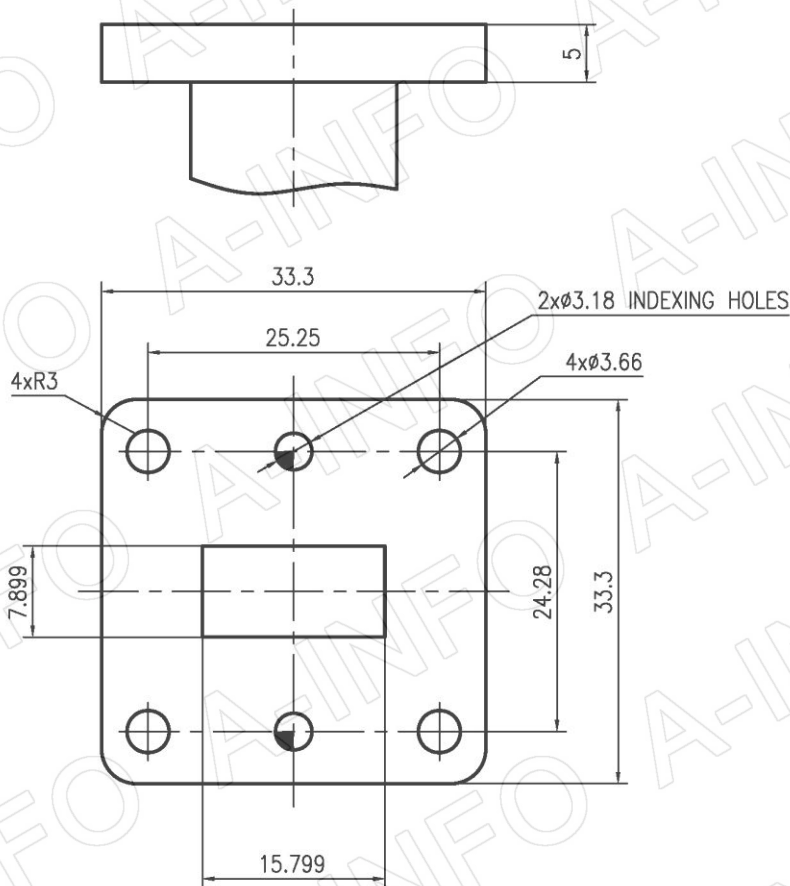
Fax: (+86) 10-6266-7379  
Fax: (+86) 28-8519-3068  
Fax: (+1) 949-639-9670

Website: [www.ainfoinc.com](http://www.ainfoinc.com)  
Email: [sales@ainfoinc.com](mailto:sales@ainfoinc.com)

## 62WCASM\_P0 (With SMA-Male Output)



## Flange Drawing (Size: mm)



APF62

AINFO Inc.

Page 3 of 4

China(Beijing):  
China(Chengdu):  
USA :

Tel: (+86) 10-6266-7326,  
Tel: (+86) 28-8519-2786,  
Tel: (+1) 949-639-9688,

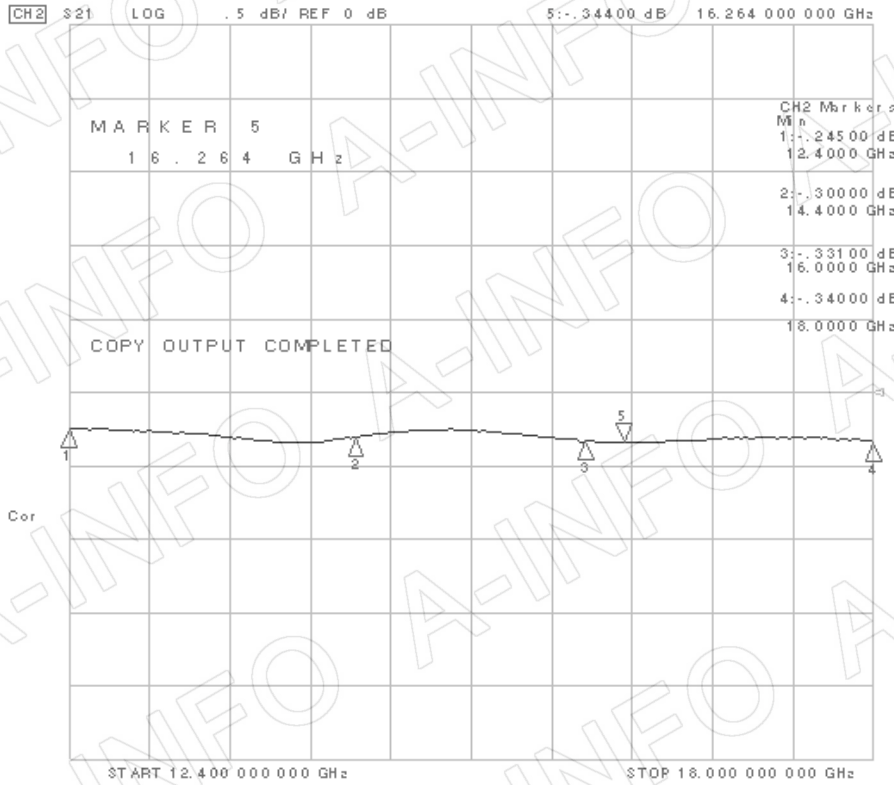
(+86) 10-6266-7327  
(+86) 28-8519-3044  
(+1) 949-639-9608

Fax: (+86) 10-6266-7379  
Fax: (+86) 28-8519-3068  
Fax: (+1) 949-639-9670

Website: [www.ainfoinc.com](http://www.ainfoinc.com)  
Email: [sales@ainfoinc.com](mailto:sales@ainfoinc.com)

## Test Results

### I. L. (Test with two adapters back to back)



### VSWR

