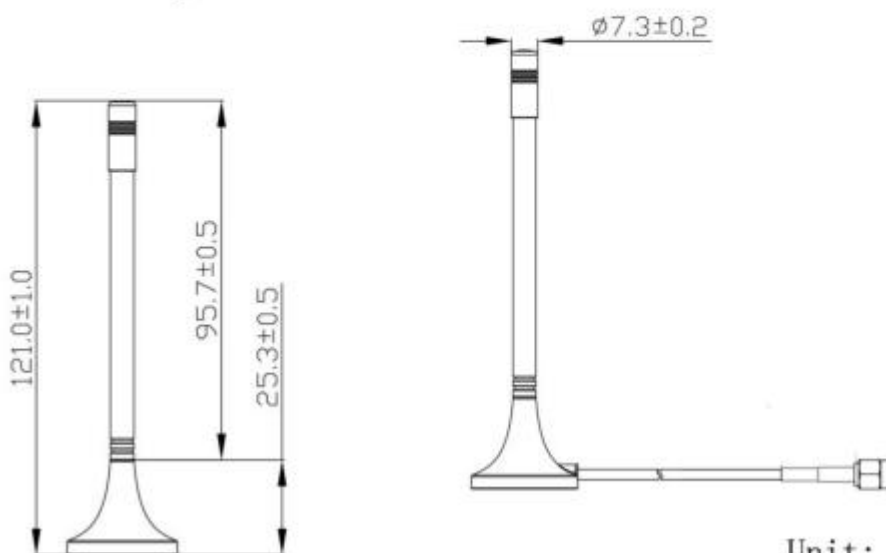
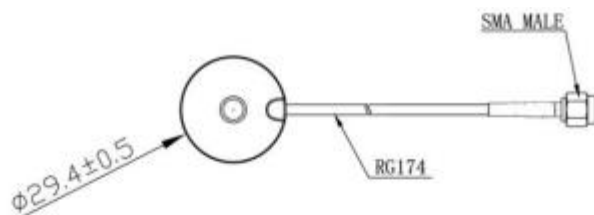




### Datasheet

## GSM/LTE ANTENNA

**Model: MG-4G016L-3MSMA**



Unit: mm

## SPECIFICATION

Revision #	Content	Page	Date	Manufacture
0	First, document	-	11.10.2021	MG ANTENNAS
1				

	Standards	Parameters
<b>Electrical</b>	<b>Center Frequency</b>	698-960/1710~2690 MHz
	<b>Polarization</b>	Linear
	<b>Gain</b>	2 dBi
	<b>Max power</b>	50 W
	<b>VSWR</b>	2 :1
	<b>Impedance</b>	50 $\Omega$
<b>Mechanical</b>	<b>Cable (type and length)</b>	RG174, 3m or others
	<b>Connector</b>	SMA male or others
	<b>Housing Color</b>	Black
	<b>Mounting</b>	Magnetic base
	<b>Dimensions</b>	H121*30mm
	<b>Weight</b>	50g
<b>Environmental</b>	<b>Temperature</b>	-40 ~ +75 °C
	<b>Humidity</b>	0 ~ 85%
	<b>Vibration</b>	10 to 55Hz with 1.5mm amplitude 2hours
	<b>Environmentally Friendly</b>	ROHS Compliant
	<b>Lighting protection</b>	DC grounding