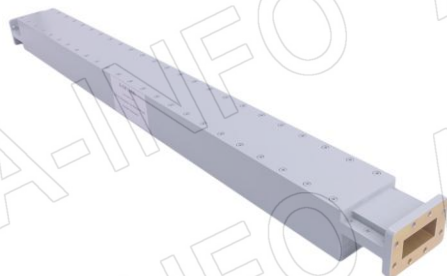


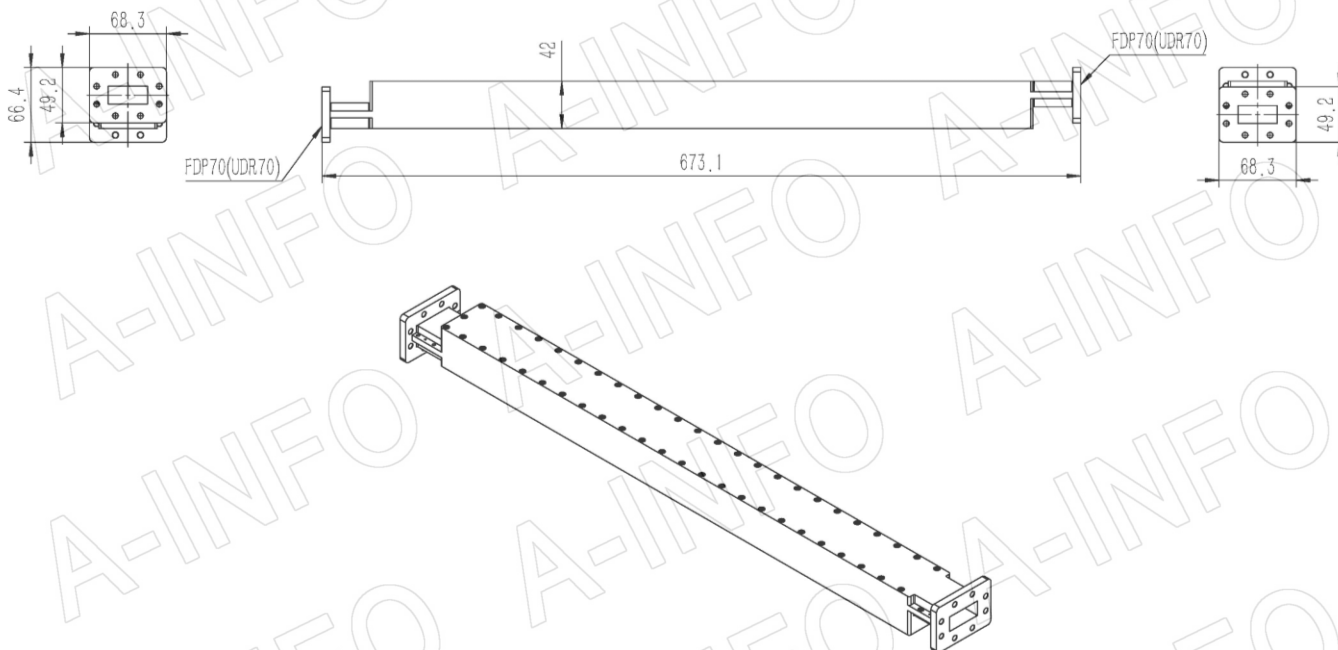
For reference only. See data sheet for the detailed specifications.

## Technical Specification



EIA WR	WR137
Frequency Range(GHz)	5.85 – 8.20
Attenuation(dB)	3
Attenuation Accuracy(dB)	±0.9 Max.
Attenuation Sensitivity(dB)	±0.7 Max.
VSWR	1.15:1 Max.
Average Power(W CW)	25
Peak Power(KW)	200
Flange	FDP70(UDR70)
Material	Al
Size(mm)	673.1 x 68.3 x 66.4
Net Weight(Kg)	2.15 Around

## Outline Drawing (Size: mm)



AINFO Inc.

Page 1 of 3

China(Beijing):

Tel: (+86) 10-6266-7326,

(+86) 10-6266-7327

Fax: (+86) 10-6266-7379

China(Chengdu):

Tel: (+86) 28-8519-2786,

(+86) 28-8519-3044

Fax: (+86) 28-8519-3068

USA :

Tel: (+1) 949-639-9688,

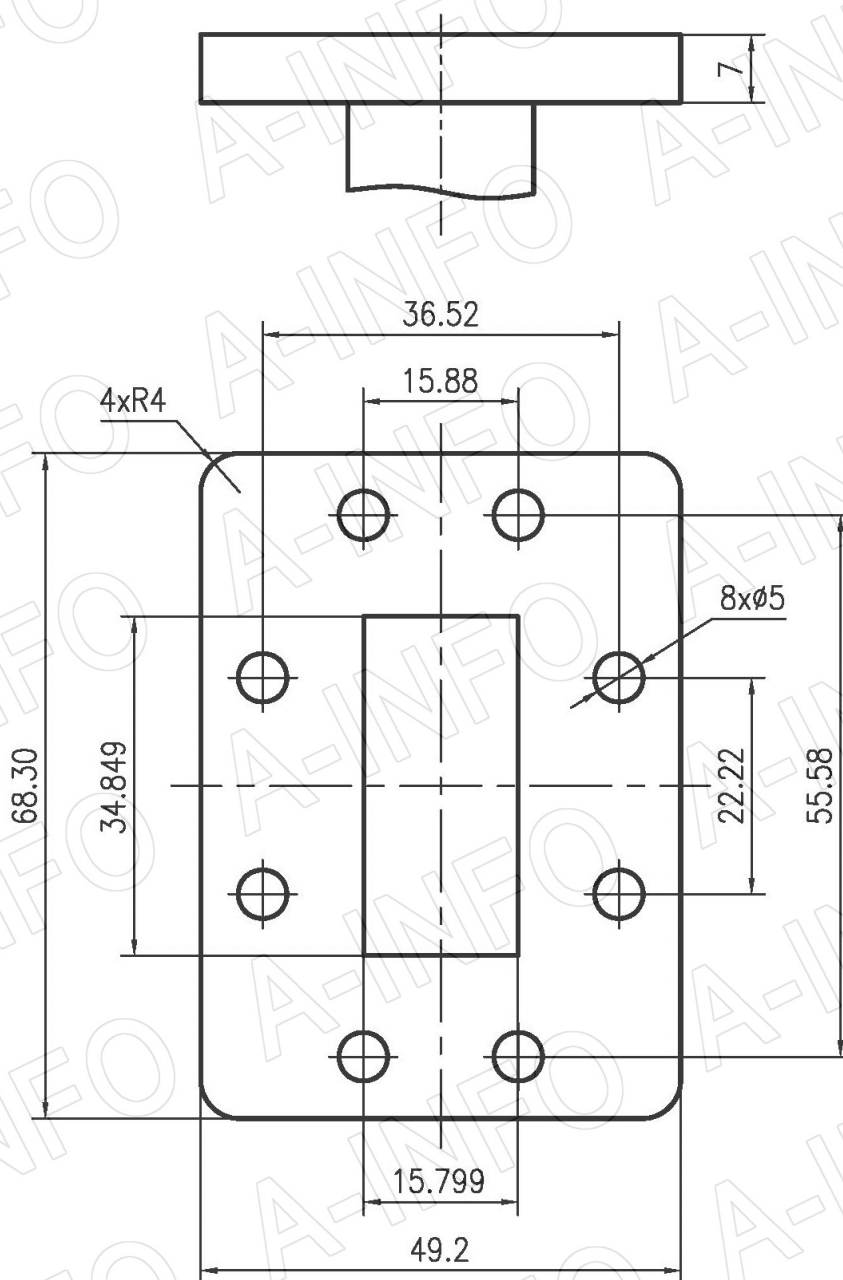
(+1) 949-639-9608

Fax: (+1) 949-639-9670

Website: [www.ainfoinc.com](http://www.ainfoinc.com)

Email: [sales@ainfoinc.com](mailto:sales@ainfoinc.com)

## Flange Drawing (Size: mm)



# FDP70

AINFO Inc.

Page 2 of 3

China(Beijing):

Tel: (+86) 10-6266-7326,

(+86) 10-6266-7327

Fax: (+86) 10-6266-7379

China(Chengdu):

Tel: (+86) 28-8519-2786,

(+86) 28-8519-3044

Fax: (+86) 28-8519-3068

USA :

Tel: (+1) 949-639-9688,

(+1) 949-639-9608

Fax: (+1) 949-639-9670

Website: [www.ainfoinc.com](http://www.ainfoinc.com)

Email: [sales@ainfoinc.com](mailto:sales@ainfoinc.com)

## Test Result

### Attenuation & VSWR

CH1	\$11	SWR	150 m / REF 1	5: 1.1104	5.850 000 000 GHz
CH2	\$21	LOG	.3 dB / REF -3 dB	5: -3.3200 dB	6.954 500 000 GHz
CH3	\$21	LOG	.3 dB / REF -3 dB	5: -2.8750 dB	5.850 000 000 GHz
CH4	\$22	SWR	150 m / REF 1	5: 1.0925	6.132 000 000 GHz

