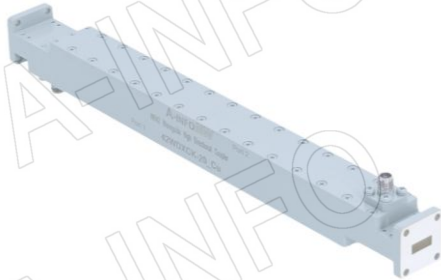


For reference only. See data sheet for the detailed specifications.

Technical Specification

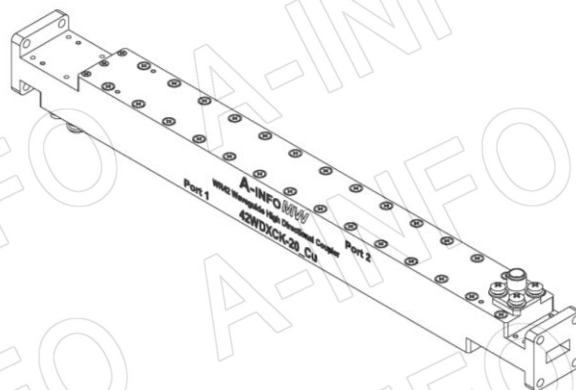
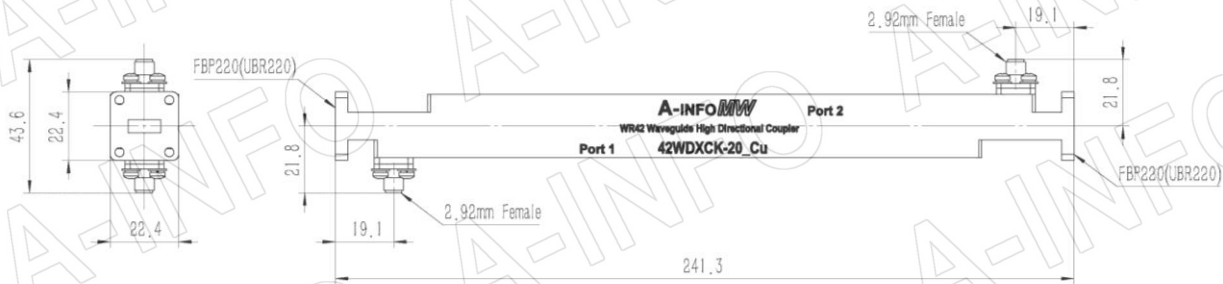


EIA WR	WR42
Frequency Range(GHz)	18.0 – 26.5
Coupling(dB)	20
Coupling Accuracy(dB)	±1.0 Max.
Frequency Sensitivity(dB)	±0.9 Max.
Directivity(dB)	30 Min.
Insertion Loss(dB)	0.5 Max. (Not including the theoretical loss 0.09dB)
Mainline VSWR	1.10:1 Max.
Secondline VSWR	1.35:1 Max.
Flange	FBP220(UBR220)
Coupling Port	2.92mm-Female or 2.92mm-Male
Material	Cu
Size(mm)	241.3 x 22.4 x 43.6
Net Weight(Kg)	0.62 Around

Outline Drawing (Size: mm)

Coupling Port: 2.92mm-Female

For 2.92mm-Male connector Coupling Port outline drawing, please contact A-INFO.



AINFO Inc.

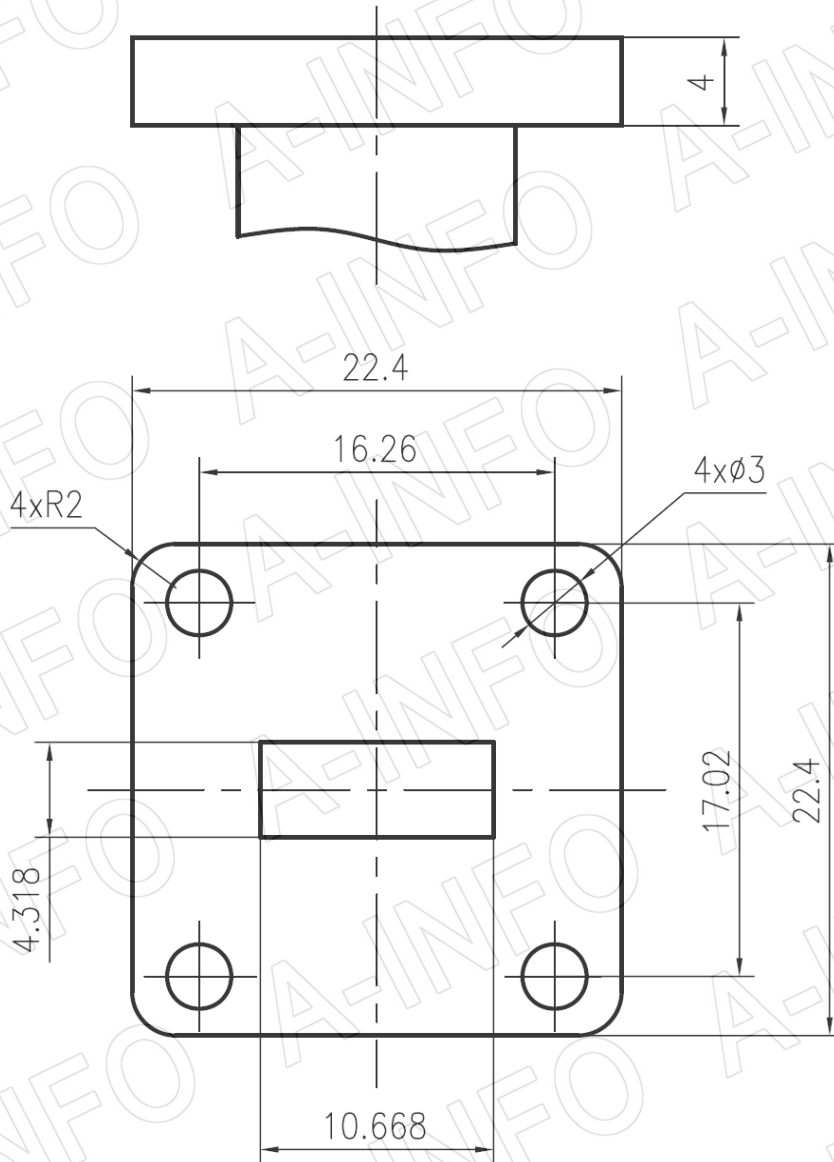
China(Beijing): Tel: (+86) 10-6266-7326,
China(Chengdu): Tel: (+86) 28-8519-2786,
USA: Tel: (+1) 949-639-9688,

Page 1 of 6

(+86) 10-6266-7327 Fax: (+86) 10-6266-7379
(+86) 28-8519-3044 Fax: (+86) 28-8519-3068
(+1) 949-639-9608 Fax: (+1) 949-639-9670

Website: www.ainfoinc.com
Email: sales@ainfoinc.com

Flange Drawing (Size: mm)



FBP220

AINFO Inc.

China(Beijing): Tel: (+86) 10-6266-7326,
China(Chengdu): Tel: (+86) 28-8519-2786,
USA: Tel: (+1) 949-639-9688,

Page 2 of 6

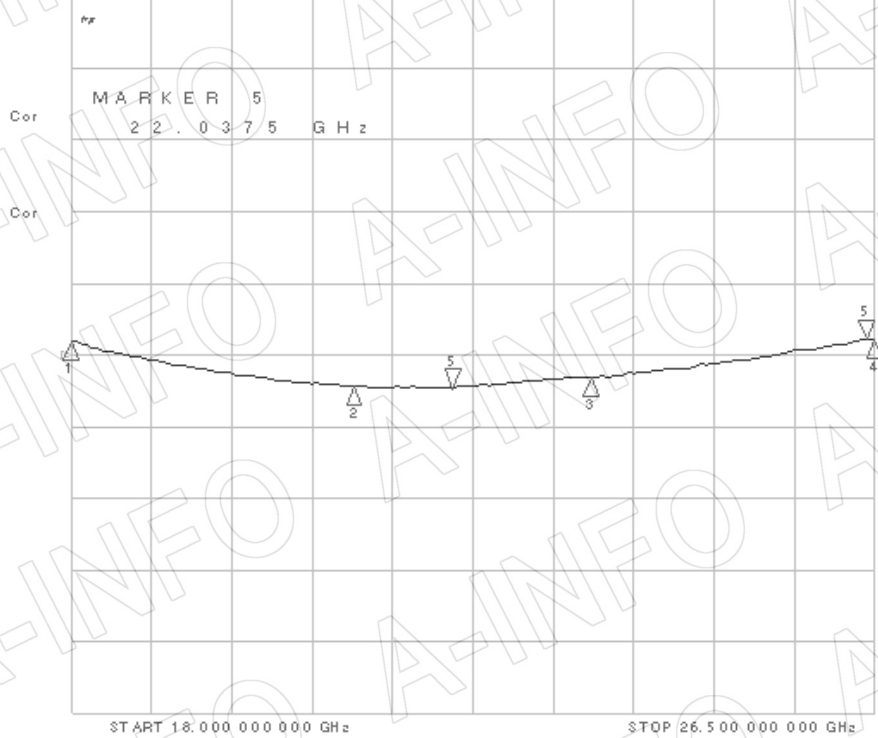
(+86) 10-6266-7327 Fax: (+86) 10-6266-7379
(+86) 28-8519-3044 Fax: (+86) 28-8519-3068
(+1) 949-639-9608 Fax: (+1) 949-639-9670

Website: www.ainfoinc.com
Email: sales@ainfoinc.com

Test Results

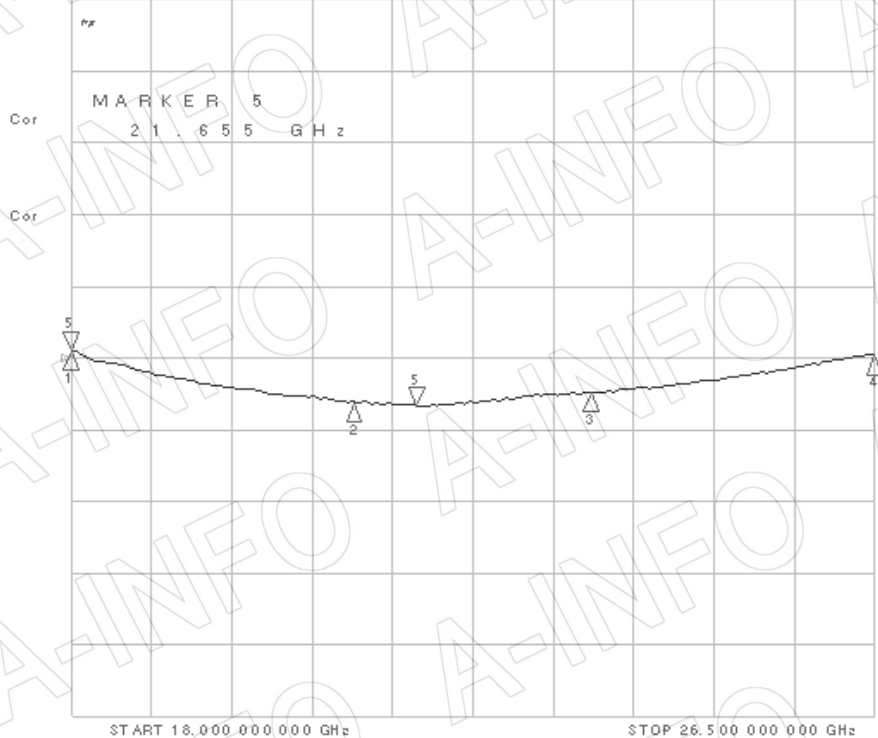
Coupling Port 1

CH1 S21 LOG 1 dB/ REF -20 dB 5:-19.776 dB 26.415 000 000 GHz
 CH3 S21 LOG 1 dB/ REF -20 dB 5:-20.469 dB 22.037 500 000 GHz

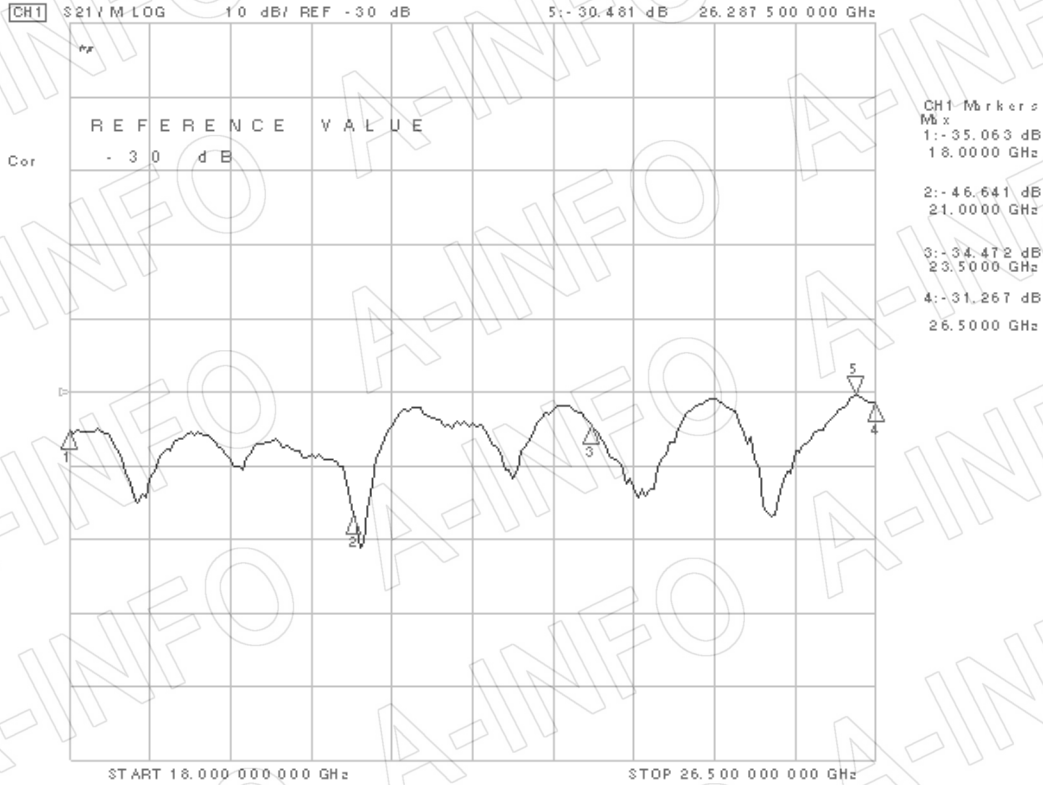


Port 2

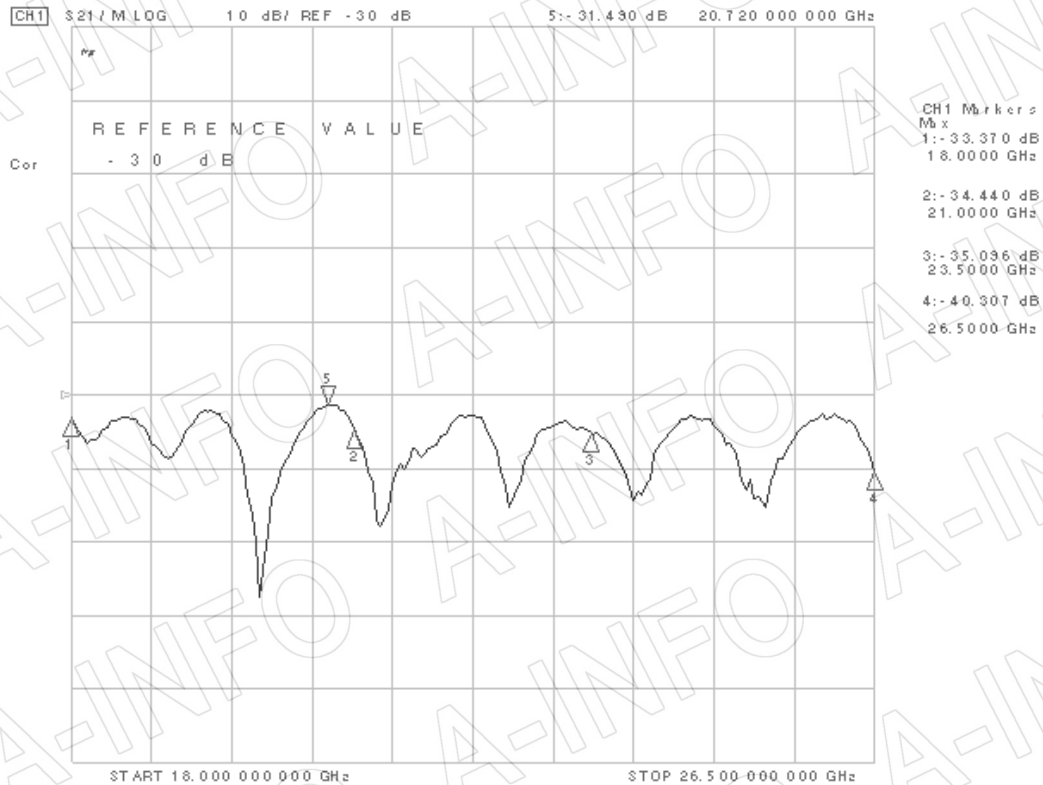
CH1 S21 LOG 1 dB/ REF -20 dB 5:-19.904 dB 18.000 000 000 GHz
 CH3 S21 LOG 1 dB/ REF -20 dB 5:-20.674 dB 21.655 000 000 GHz



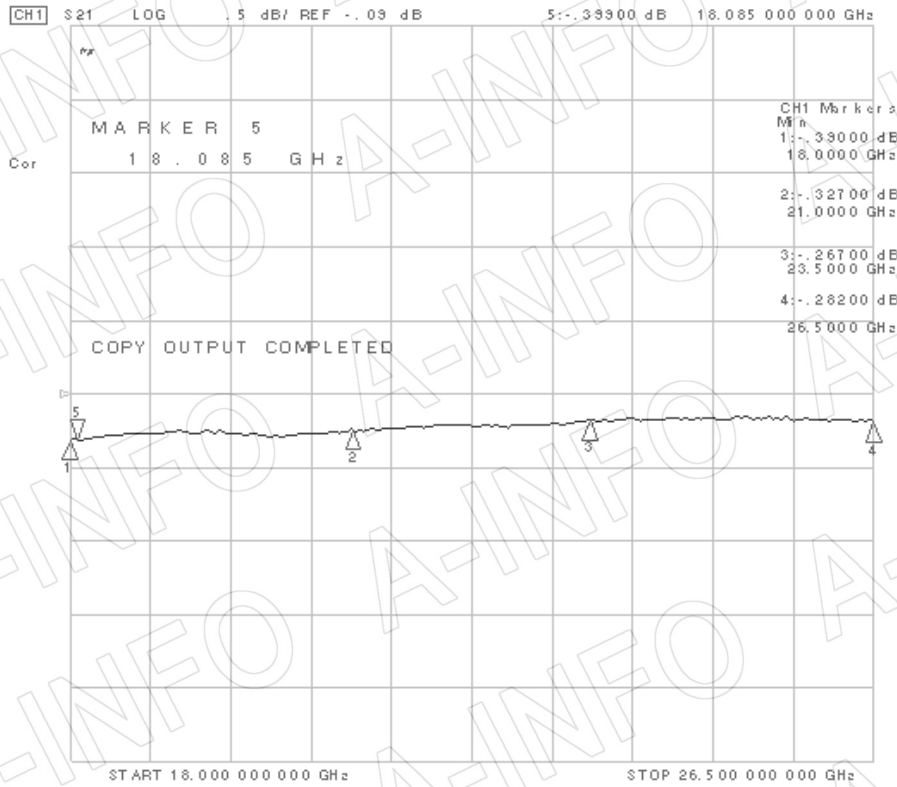
Directivity
Port 1



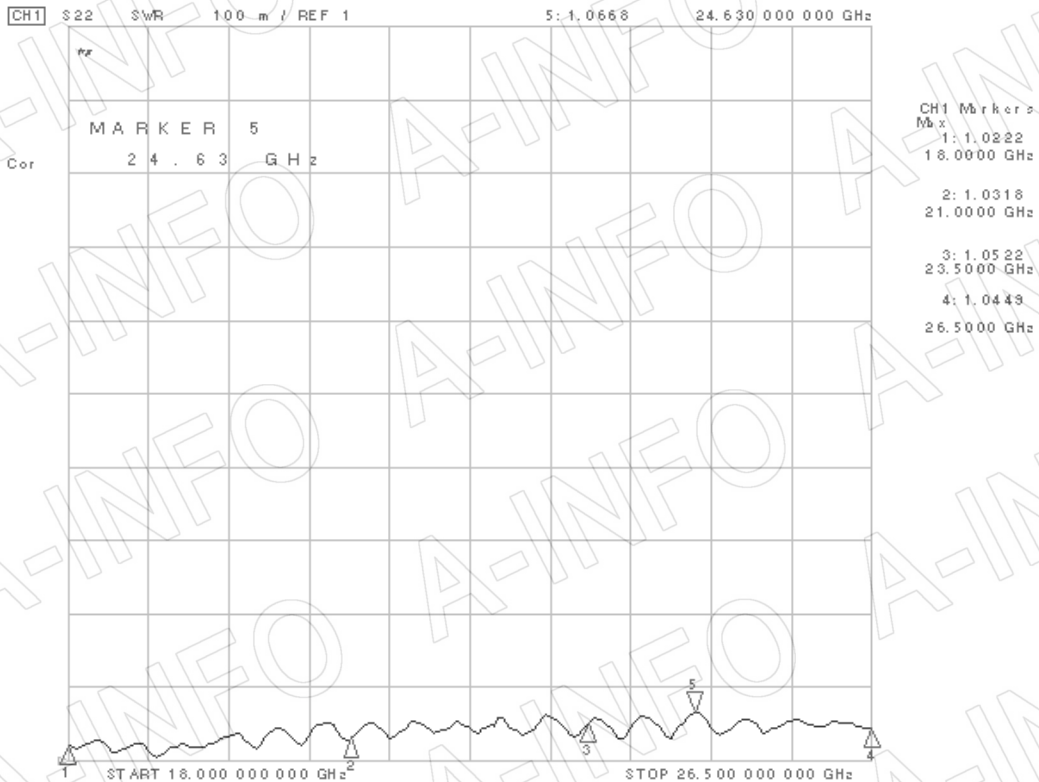
Port 2



I.L. (Including the theoretical loss 0.09dB)

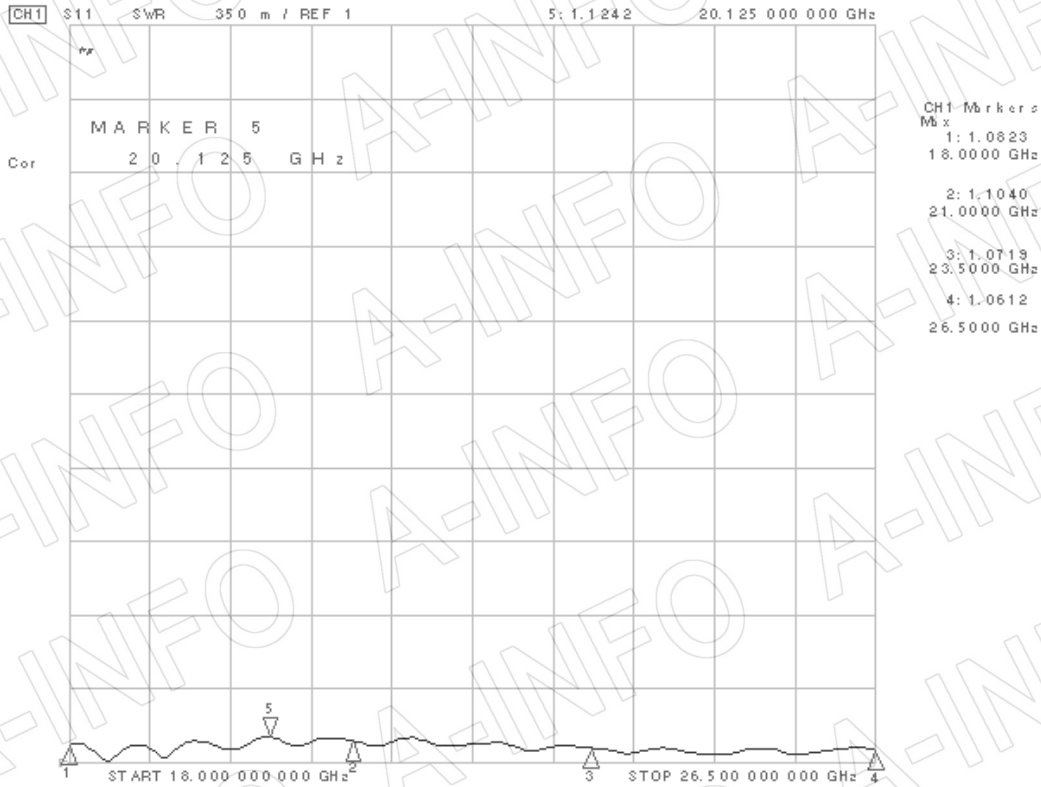


Mainline VSWR



Secondline VSWR

Port 1



Port 2

