

### BTR-7610G / BTR-7610-SPG / BTR-7610AG / BTR-7610A-SPG

### 1310 nm TX / 1550 nm RX , 3.3V / 1.25 Gb/s **RoHS Compliant** Single-Fiber Transceiver

#### FEATURES

- Single Fiber Bi-Directional Transceiver
- 1310 nm LD Transmitter
- 1550 nm Receiver
- Link distance up to 10 km
- Industry Standard 1 x 9 Footprint
- Single +3.3 V Power Supply
- RoHS Compliant
- 0 to 70°C Operating: BTR-7610G
- -20 to 85°C Operating: BTR-7610AG
- LVPECL Differential Inputs and Outputs
- LVPECL Signal Detect Output : BTR-7610G
- LVTTTL Signal Detect Output : BTR-7610CG
- Wave Solderable and Aqueous Washable
- Class 1 Laser International Safety Standard IEC-60825 Compliant

#### APPLICATIONS

- WDM 1.25 Gb/s Links
- SONET / SDH Equipment Interconnect
- Fiber Channel 1.063 Gb/s Links

#### DESCRIPTION

The BTR-7610G series are high performance modules for single fiber communications by using 1310 nm transmitter and 1550nm receiver. The transmitter section uses a multiple quantum well laser and is a class 1 laser compliant according to International Safety Standard IEC-60825. The receiver section uses an integrated 1550 nm detector preamplifier (IDP) mounted in an optical header and a limiting post-amplifier IC. A PECL logic interface simplifies interface to external circuitry.

#### LASER SAFETY

This single mode transceiver is a Class 1 laser product. It complies with IEC-60825 and FDA 21 CFR 1040.10 and 1040.11. The transceiver must be operated within the specified temperature and voltage limits. The optical ports of the module shall be terminated with an optical connector or with a dust plug.

#### ORDER INFORMATION

P/No.	Bit Rate (Gb/s)	Distance (km)	TX (nm)	RX (nm)	Voltage (V)	Package	Temp. (°C)	TX Power (dBm)	RX Sens. (dBm)	Signal Detect	RoHS Compliant
BTR-7610CG	1.25	10	1310	1550	3.3	1X9	0 to 70	-3 to -9	-20	TTL	Yes
<b>BTR-7610ACG</b>	1.25	10	1310	1550	3.3	1X9	<b>-20 to 85</b>	-3 to -9	-20	TTL	Yes
BTR-7610G	1.25	10	1310	1550	3.3	1X9	0 to 70	-3 to -9	-20	PECL	Yes
<b>BTR-7610AG</b>	1.25	10	1310	1550	3.3	1X9	<b>-20 to 85</b>	-3 to -9	-20	PECL	Yes

Note: 1. BTR-XXXXXXG is 1X9 SC receptacle type package.

2. BTR-XXXXXX-APBBBG is 1X9 pigtail type package with different connector, A=S is SC connector, A=F is FC connector, A=T is ST connector, A=L is LC connector, A=M is MU connector, BBB is the length of fiber in cm.

### Absolute Maximum Ratings

Parameter	Symbol	Min	Max	Units	Notes
Storage Temperature	Tstg	-40	85	°C	
Operating Temperature	Topr	0 -20	70 85	°C	BTR-7610G BTR-7610AG
Soldering Temperature	---		260	°C	10 seconds on leads only
Power Supply Voltage	Vcc	0	4.5	V	
Input Voltage	---	GND	Vcc	V	
Output Current	Iout	0	30	mA	

### Recommended Operating Conditions

Parameter	Symbol	Min	Typ	Max	Units / Notes
Power Supply Voltage	Vcc	3.13	3.3	3.47	V
Operating Temperature	Topr	0 -20		70 85	°C / BTR-7610G °C / BTR-7610AG
Data Rate			1250	1300	Mb/s
Power Supply Current	Icc			260	mA

### Transmitter Specifications (0°C < Topr < 70°C, 3.13V < Vcc < 3.47V)

Parameter	Symbol	Min	Typ	Max	Units	Notes
<b>Optical</b>						
Optical Transmit Power	Po	-9	---	-3	dBm	1
Output Center Wavelength	$\lambda$	1280		1350	nm	
Output Spectrum Width	$\Delta\lambda$	---	---	2.0	nm	RMS( $\sigma$ )
Extinction Ratio	E <sub>R</sub>	9.0	---	---	dB	
Output Eye	Compliant with IEEE 802.3z					
Optical Rise Time	t <sub>r</sub>			0.26	ns	20% to 80% Values
Optical Fall Time	t <sub>f</sub>			0.26	ns	20% to 80% Values
Relative Intensity Noise	RIN			-120	dB/Hz	
Total Jitter	TJ			0.227	ns	2
<b>Electrical</b>						
Data Input Current – Low	I <sub>IL</sub>	-350			μA	
Data Input Current – High	I <sub>IH</sub>			350	μA	
Differential Input Voltage	V <sub>IH</sub> - V <sub>IL</sub>	300			mV	
Data Input Voltage – Low	V <sub>IL</sub> - V <sub>CC</sub>	-2.0		-1.58	V	3
Data Input Voltage -- High	V <sub>IH</sub> - V <sub>CC</sub>	-1.1		-0.74	V	3

Notes: 1. Output power is power coupled into a 9/125 μm single mode fiber.

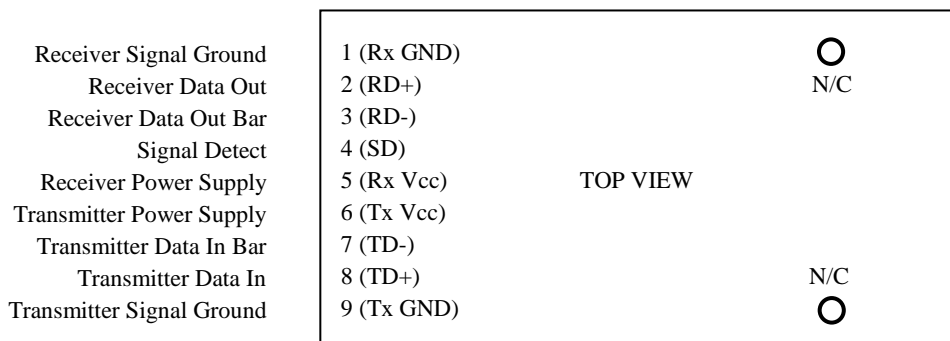
2. Measured with a 2<sup>7</sup>-1 PRBS.

3. These inputs are compatible with 10K, 10KH and 100K ECL and LVPECL inputs.

Receiver Specifications (0°C < Topr < 70°C, 3.13V < Vcc < 3.47V)						
Parameter	Symbol	Min	Typ	Max	Units	Notes
<b>Optical</b>						
Sensitivity	---	---	---	-20	dBm	1
Maximum Input Power	Pin	-3		---	dBm	
Signal Detect -- Asserted	Pa	---	---	-20	dBm	Transition: low to high
Signal Detect -- Deasserted	Pd	-31	---	---	dBm	Transition: high to low
Signal detect -- Hysteresis		1.0	---		dB	
Wavelength of Operation		1480	---	1580	nm	2
Optical Return Loss	ORL	14			dB	
<b>Electrical</b>						
Data Output Voltage – Low	V <sub>OL</sub> - V <sub>CC</sub>	-2.0		-1.58	V	3
Data Output Voltage – High	V <sub>OH</sub> - V <sub>CC</sub>	-1.1		-0.74	V	3
SD Output Voltage -- Low	V <sub>OL</sub> - V <sub>CC</sub>	-2.0		-1.58	V	BTR-7610G
SD Output Voltage -- High	V <sub>OH</sub> - V <sub>CC</sub>	-1.1		-0.74	V	
SD Output Voltage -- Low	V <sub>OL</sub>	0		0.8	V	BTR-7610CG
SD Output Voltage -- High	V <sub>OH</sub>	2.0		V <sub>CC</sub> + 0.3	V	

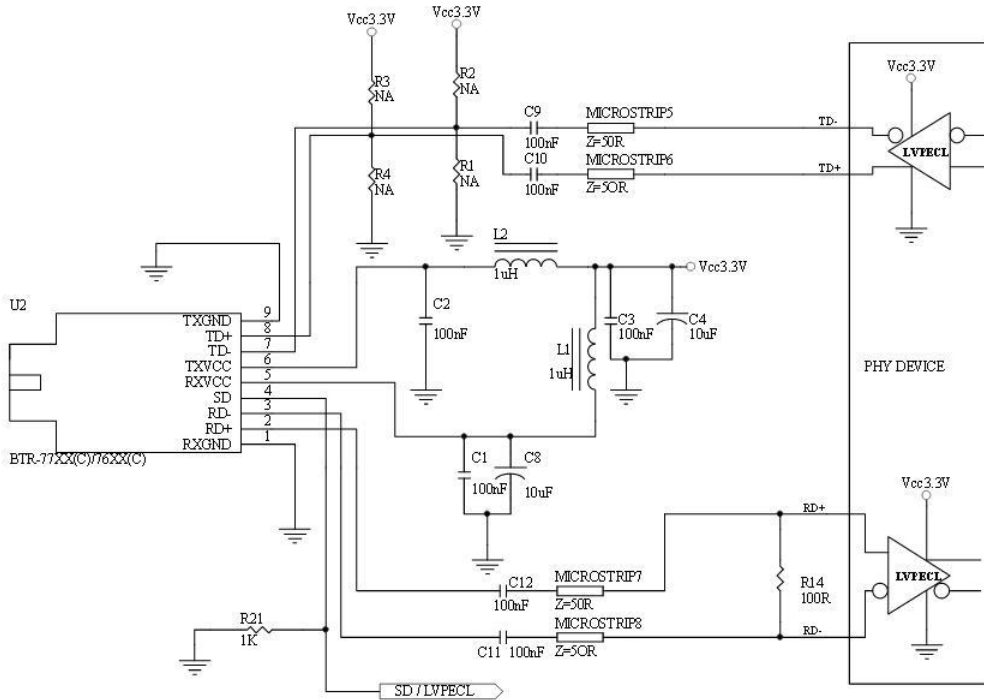
- Notes: 1. Minimum sensitivity and saturation levels at BER=1E-12 for a 2<sup>7</sup>-1 PRBS.  
 2. At least 30 dB optical isolation for the wavelength 1260 to 1360 nm.  
 3. These outputs are compatible with 10K, 10KH and 100K ECL and LVPECL outputs.

### CONNECTION DIAGRAM



PIN	Symbol	Notes
1	Rx GND	Directly connect this pin to the receiver ground plane
2	RD+	See recommended circuit schematic
3	RD-	See recommended circuit schematic
4	SD	Active high on this indicates a received optical signal
5	Rx Vcc	+3.3V dc power for the receiver section
6	Tx V <sub>CC</sub>	+3.3V dc power for the transmitter section
7	TD-	See recommended circuit schematic
8	TD+	See recommended circuit schematic
9	Tx GND	Directly connect this pin to the transmitter ground plane

### RECOMMENDED CIRCUIT SCHEMATIC

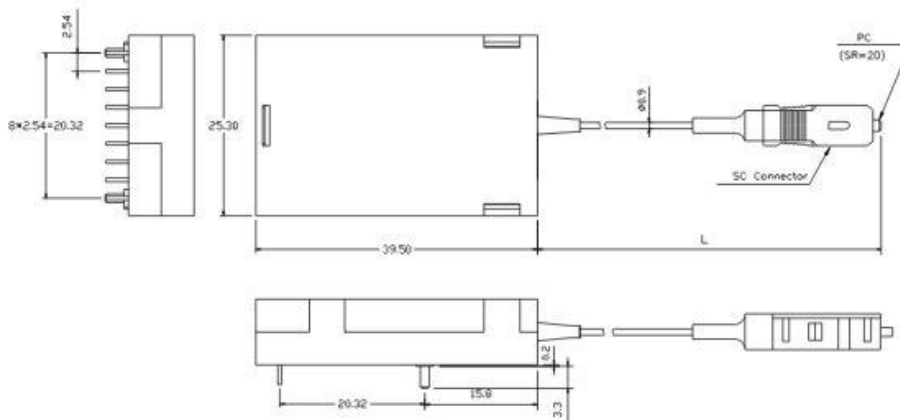


The split-load terminations for ECL signals need to be located at the input of devices receiving those ECL signals. The power supply filtering is required for good EMI performance. Use short tracks from the inductor L1/L2 to the module Rx Vcc and Tx Vcc. A GND plane under the module is required for good EMI and sensitivity performance.

### PACKAGE DIAGRAM

Units in mm

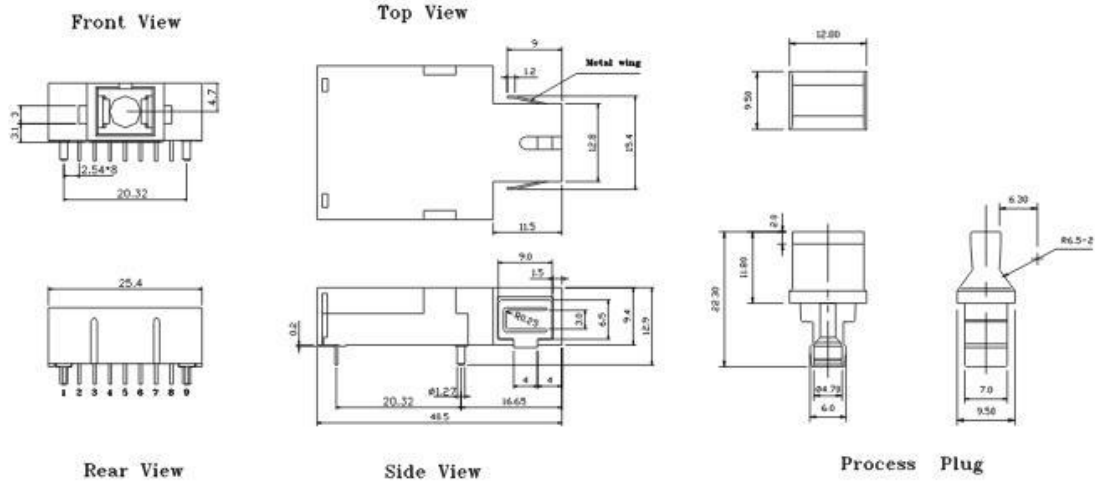
#### 1) Pigtail Type



### BTR-7610-SP50G / BTR-7610A-SP50G

**Note:** Length L is 50±3 cm. Other pigtail's length is available upon request.

### 2) Receptacle Type



### BTR-7610G / BTR-7610AG

**Note:** Specifications subject to change without notice.