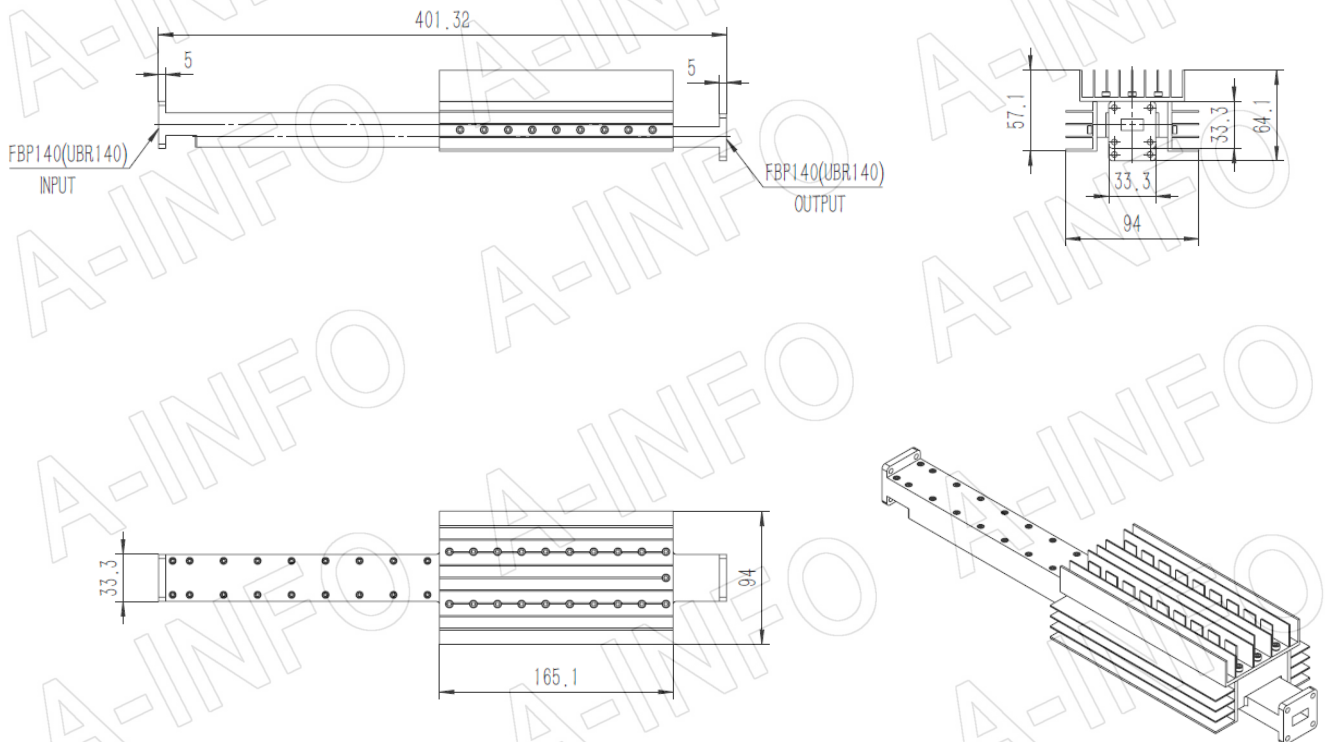


Technical Specification



EIA WR	WR62
Frequency Range(GHz)	12.4 - 18.0
Attenuation(dB)	30
Attenuation Accuracy(dB)	±0.9 Max.
Attenuation Sensitivity(dB)	±0.7 Max.
VSWR	1.10:1 Max.
Average Power(W CW)	800
Peak Power(KW)	200
Flange	FBP140(UBR140)
Material	Al
Size(mm)	401.32 x 94 x 64.1
Net Weight(Kg)	1.5 Around

Outline Drawing (Size: mm)



AINFO Inc.

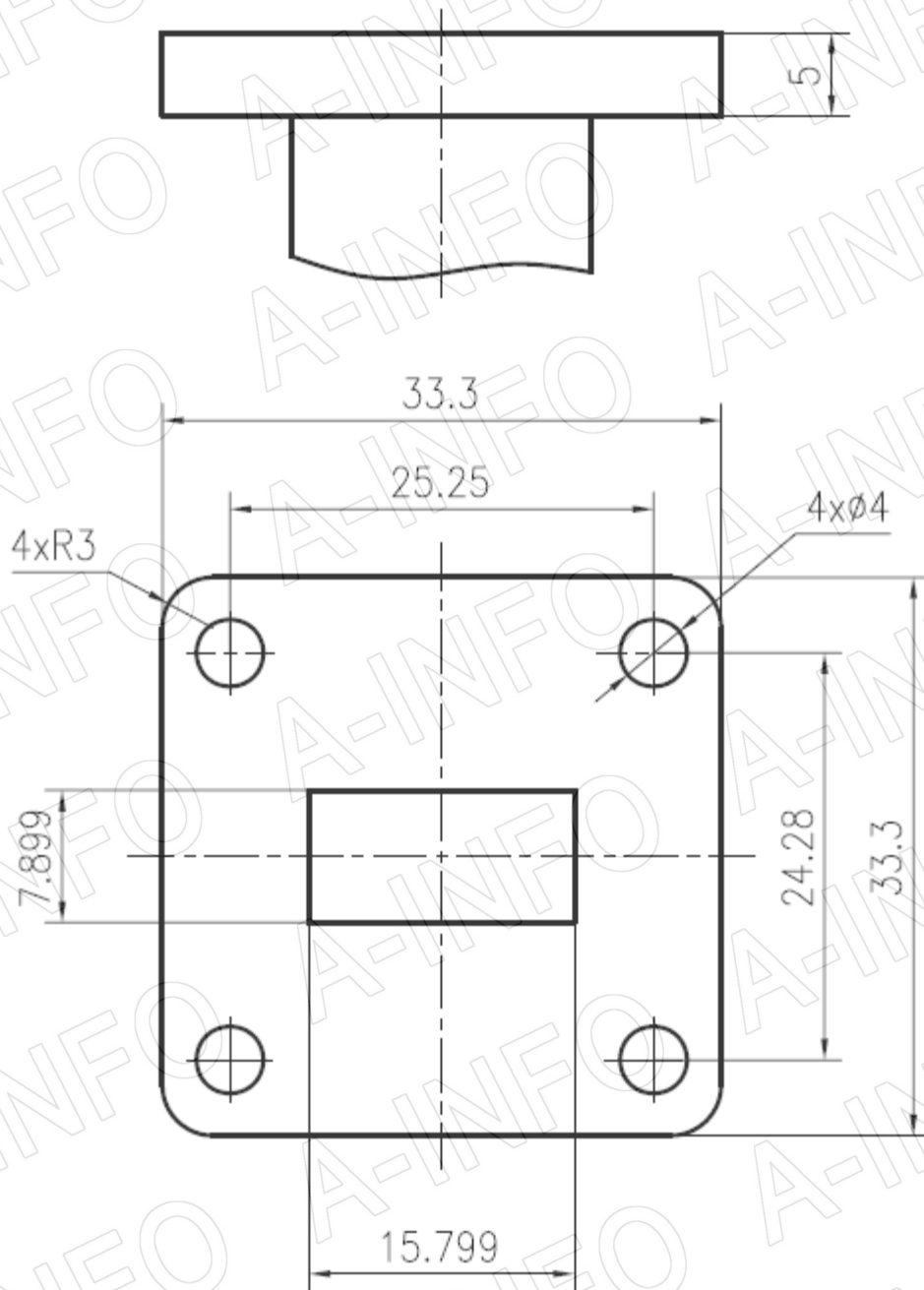
Page 1 of 3

China(Beijing): Tel: (+86) 10-6266-7326,
 China(Chengdu): Tel: (+86) 28-8519-2786,
 USA: Tel: (+1) 949-639-9688,

(+86) 10-6266-7327 Fax: (+86) 10-6266-7379
 (+86) 28-8519-3044 Fax: (+86) 28-8519-3068
 (+1) 949-639-9608 Fax: (+1) 949-639-9670

Website: www.ainfoinc.com
 Email: sales@ainfoinc.com

Flange Drawing (Size: mm)



FBP140

AINFO Inc.

Page 2 of 3

China(Beijing): Tel: (+86) 10-6266-7326,
 China(Chengdu): Tel: (+86) 28-8519-2786,
 USA: Tel: (+1) 949-639-9688,

(+86) 10-6266-7327 Fax: (+86) 10-6266-7379
 (+86) 28-8519-3044 Fax: (+86) 28-8519-3068
 (+1) 949-639-9608 Fax: (+1) 949-639-9670

Website: www.ainfoinc.com
 Email: sales@ainfoinc.com

Test Result

Attenuation & VSWR

CH1	\$11	SWR	100 m / REF 1	5: 1.0531	13.072 000 000 GHz
CH2	\$21	LOG	.9 dB / REF -30 dB	5: -30.380 dB	14.416 000 000 GHz
CH3	\$21	LOG	.9 dB / REF -30 dB	5: -29.723 dB	18.000 000 000 GHz
CH4	\$22	SWR	100 m / REF 1	5: 1.0754	12.624 000 000 GHz

