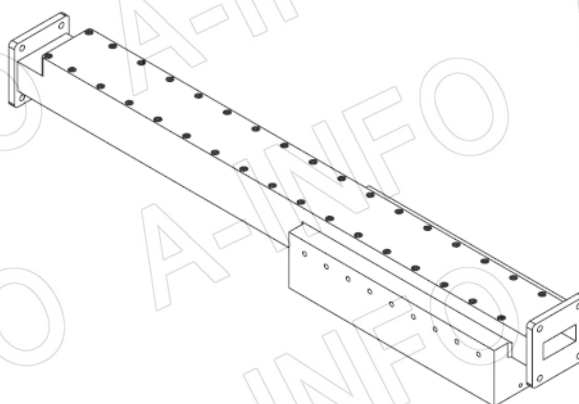
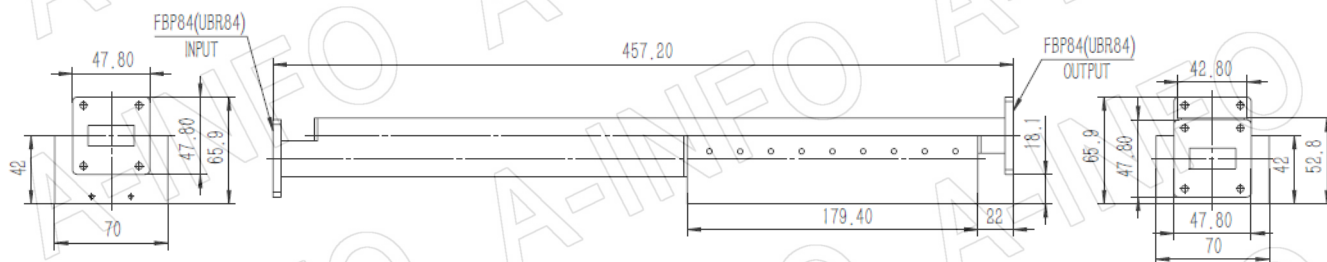


Technical Specification

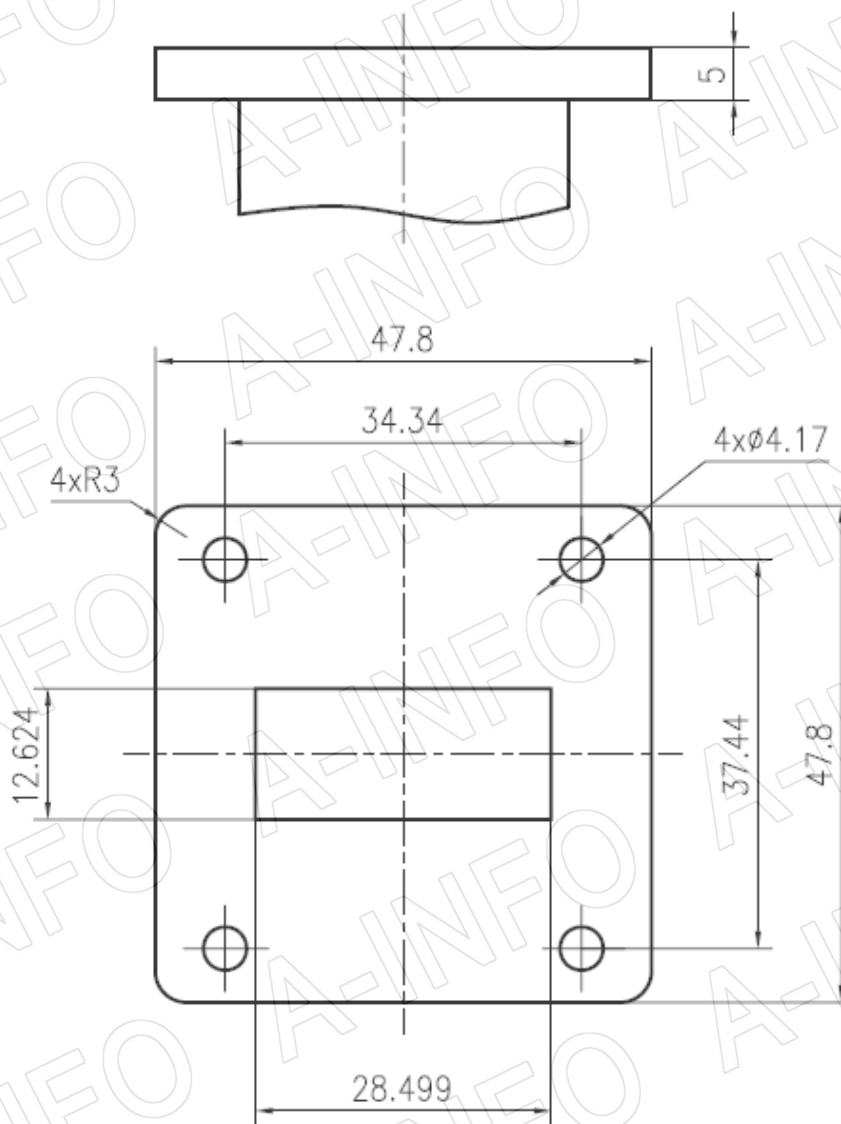


WIA WR	WR112
Frequency Range(GHz)	7.05 - 10.0
Attenuation(dB)	10
Attenuation Accuracy(dB)	±0.9 Max.
Attenuation Sensitivity(dB)	±0.7 Max.
VSWR	1.15:1 Max.
Average Power(W CW)	425
Peak Power(KW)	400
Flange	FBP84(UBR84)
Material	Al
Size(mm)	457.2 x 70 x 65.9
Net Weight(Kg)	2.02 Around

Outline Drawing (Size: mm)



Flange Drawing (Size: mm)



FBP84

AINFO Inc.

China(Beijing): Tel: (+86) 10-6266-7326,
China(Chengdu): Tel: (+86) 28-8519-2786,
USA: Tel: (+1) 949-639-9688,

Page 2 of 3

(+86) 10-6266-7327 Fax: (+86) 10-6266-7379
(+86) 28-8519-3044 Fax: (+86) 28-8519-3068
(+1) 949-639-9608 Fax: (+1) 949-639-9670

Website: www.ainfoinc.com
Email: sales@ainfoinc.com

Test Result

Attenuation & VSWR

