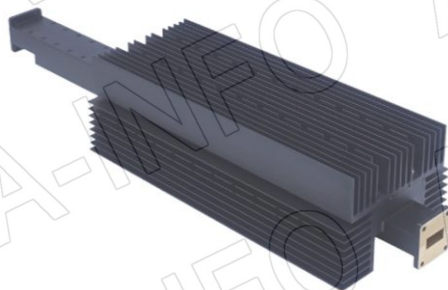


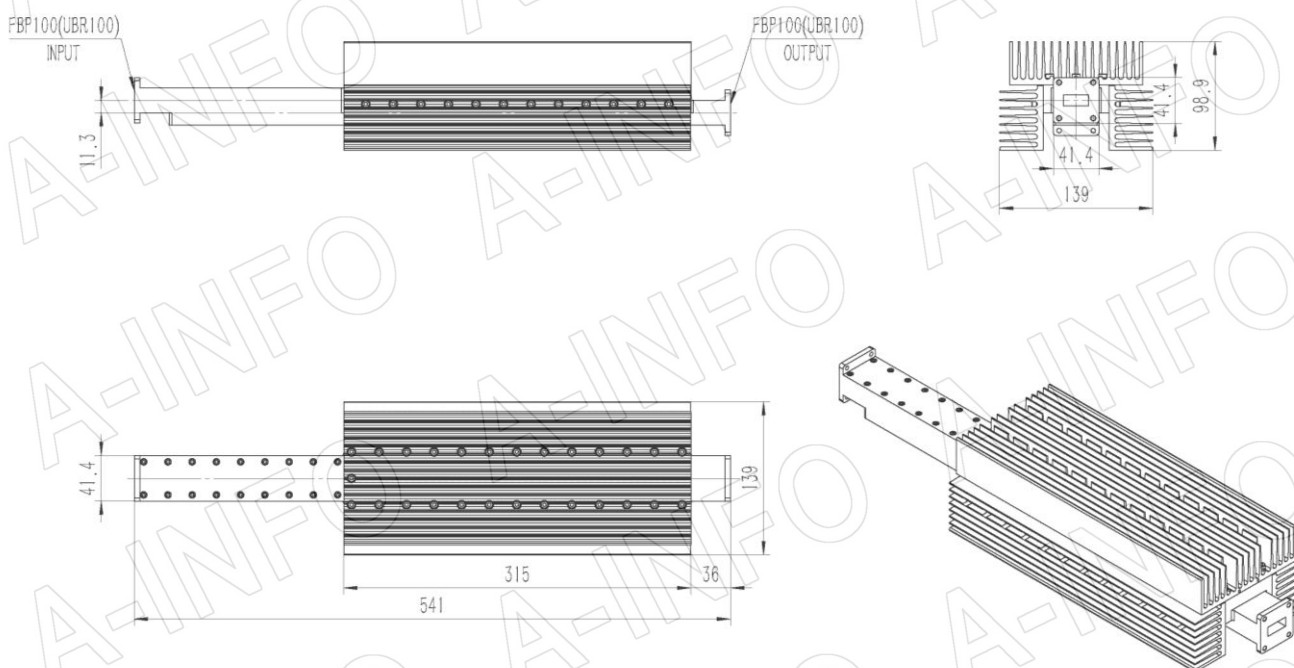
For reference only. See data sheet for the detailed specifications.

Technical Specification

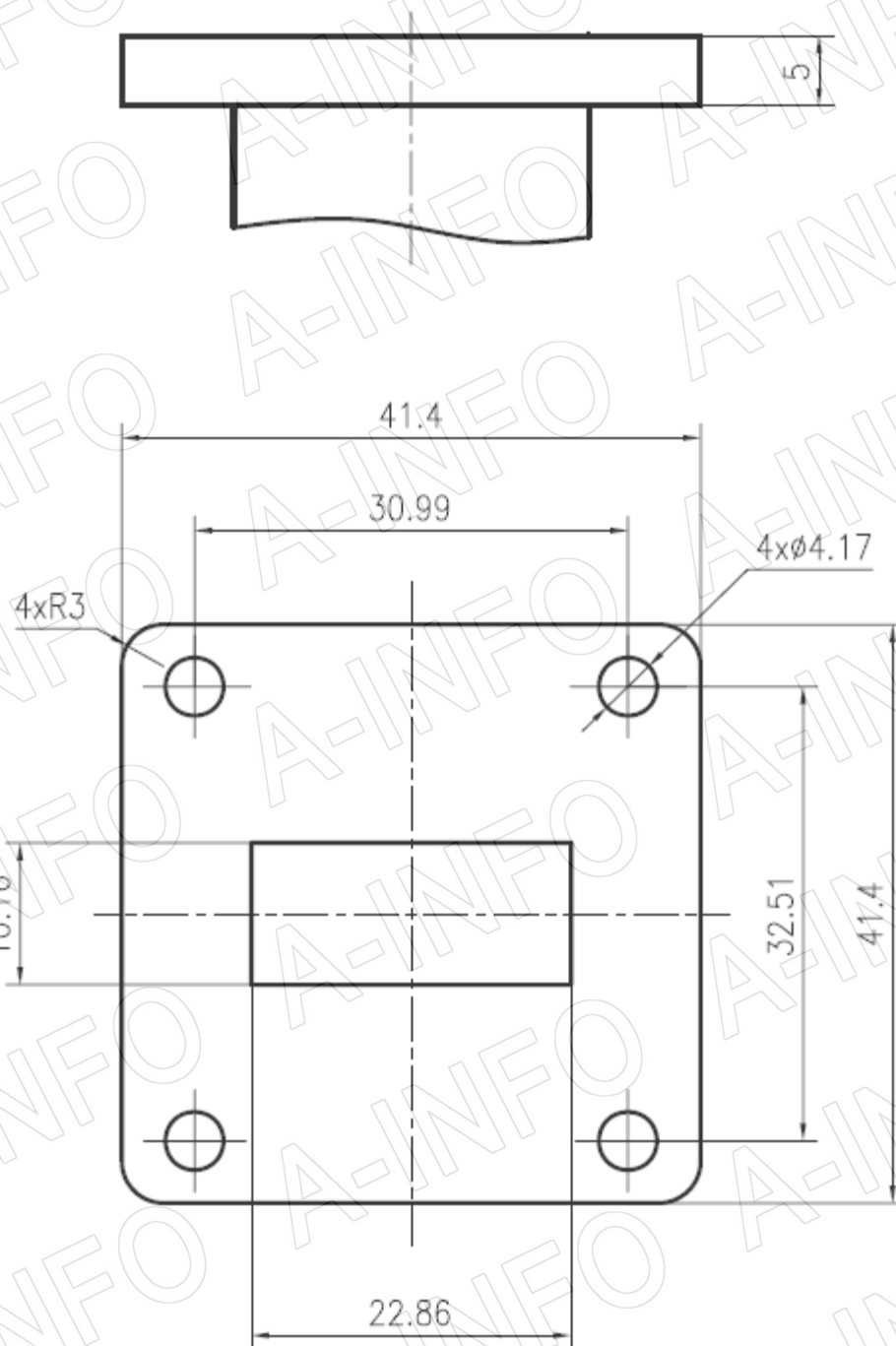


EIA WR	WR90
Frequency Range(GHz)	8.2 – 12.4
Attenuation(dB)	20
Attenuation Accuracy(dB)	±0.9 Max.
Attenuation Sensitivity(dB)	±0.7 Max.
VSWR	1.15:1 Max.
Average Power(W CW)	1700
Peak Power(KW)	290
Flange	FBP100(UBR100)
Material	Al
Size(mm)	541 x 139 x 98.9
Net Weight(Kg)	4.47 Around

Outline Drawing (Size: mm)



Flange Drawing (Size: mm)



FBP100

AINFO Inc.

China(Beijing): Tel: (+86) 10-6266-7326,
 China(Chengdu): Tel: (+86) 28-8519-2786,
 USA: Tel: (+1) 949-639-9688,

Page 2 of 3

(+86) 10-6266-7327 Fax: (+86) 10-6266-7379
 (+86) 28-8519-3044 Fax: (+86) 28-8519-3068
 (+1) 949-639-9608 Fax: (+1) 949-639-9670

Website: www.ainfoinc.com
 Email: sales@ainfoinc.com

Test Results

Attenuation & VSWR

CH1	\$11	\$WR	150 m / REF 1	5: 1.0483	8.221 000 000 GHz
CH2	\$21	LOG	.3 dB / REF -20 dB	5: -20.723 dB	9.733 000 000 GHz
CH3	\$21	LOG	.3 dB / REF -20 dB	5: -19.883 dB	12.400 000 000 GHz
CH4	\$22	\$WR	150 m / REF 1	5: 1.1319	8.200 000 000 GHz

