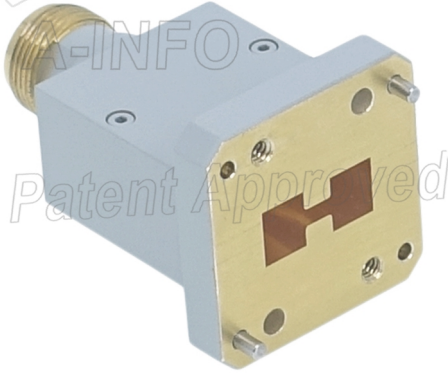


For reference only. See data sheet for the detailed specifications.

Technical Specification

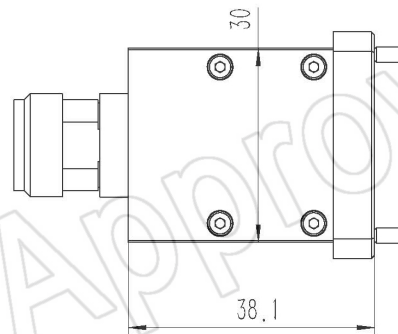
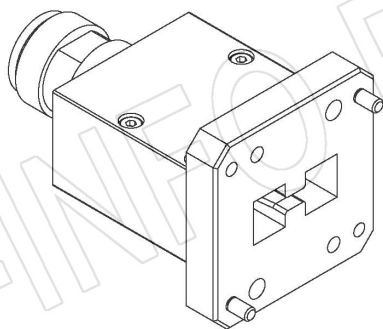
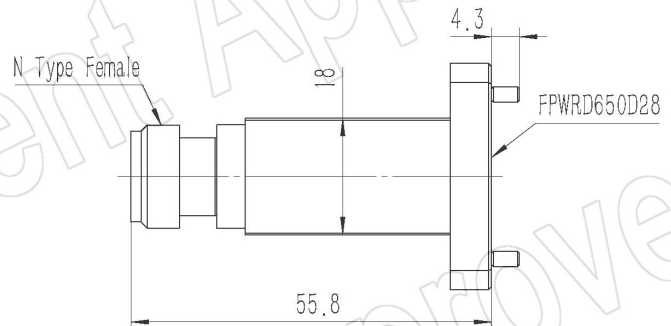
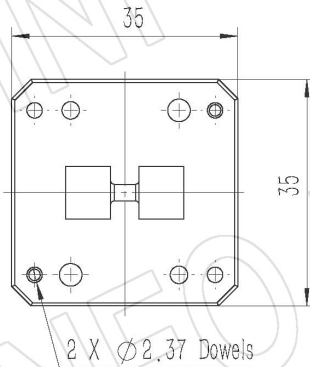


| | |
|----------------------|----------------|
| EIA WRD | WRD650 |
| Frequency Range(GHz) | 6.5 – 18.0 |
| Insertion Loss(dB) | 0.3 Max. |
| VSWR | 1.50:1 Max. |
| Flange | FPWRD650D28 |
| Connector | N-Female |
| Average Power(W CW) | 300 Max. |
| Peak Power(KW) | 3 |
| Material | Cu |
| Size(mm) | 55.8 x 35 x 35 |
| Net Weight(Kg) | 0.19 Around |

PATENT ID (China)

ZL202222525193.5, ZL202230631554.7

Outline Drawing (Size: mm)



AINFO Inc.

Page 1 of 3

China(Beijing):
China(Chengdu):
USA :

Tel: (+86) 10-6266-7326,
Tel: (+86) 28-8519-2786,
Tel: (+1) 949-639-9688,

(+86) 10-6266-7327
(+86) 28-8519-3044
(+1) 949-639-9608

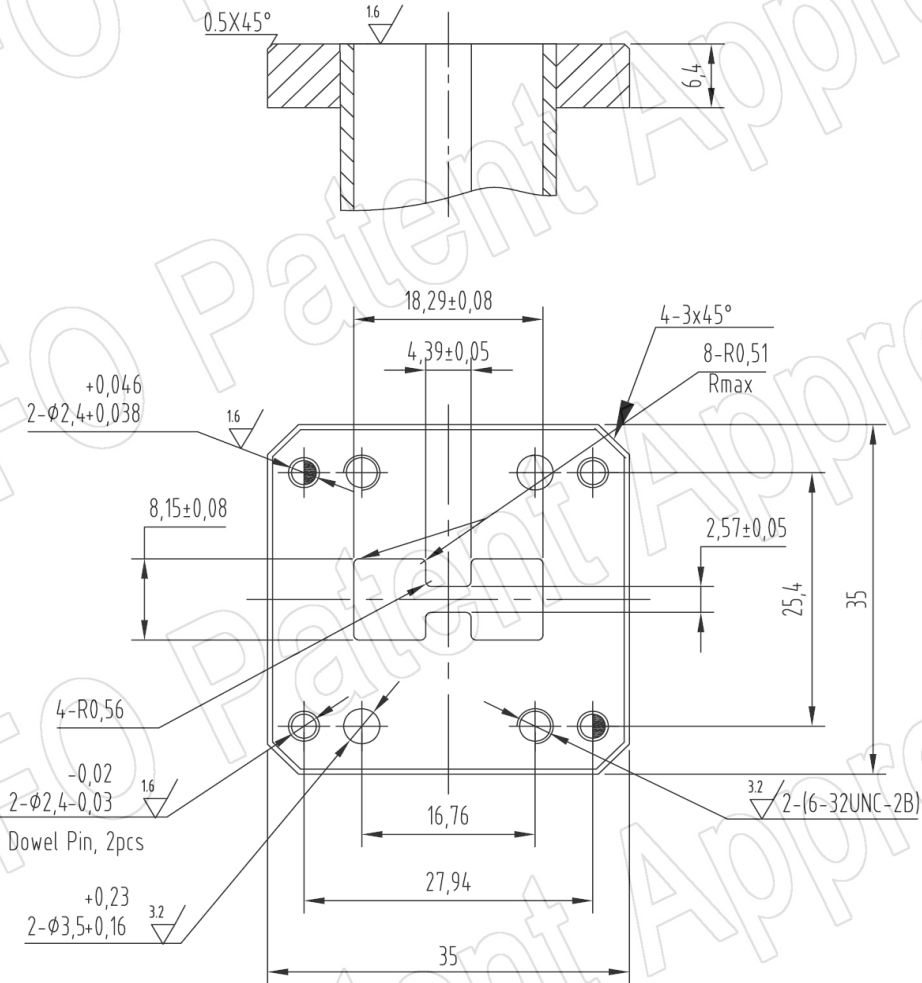
Fax: (+86) 10-6266-7379
Fax: (+86) 28-8519-3068
Fax: (+1) 949-639-9670

Website: www.ainfoinc.com
Email: sales@ainfoinc.com

Flange Drawing (Size: mm)

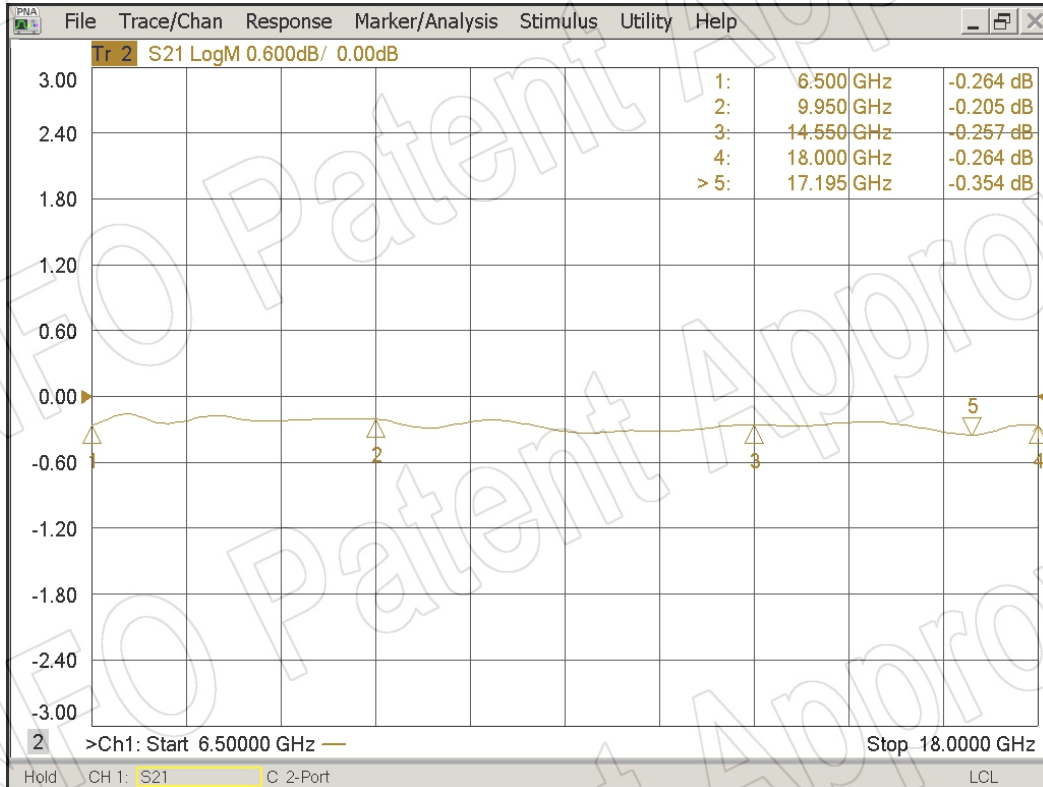
FPWRD650D28

(With two through mounting holes
and two screws holes)



Test Results

I. L. (Test with two adapters back to back)



VSWR

