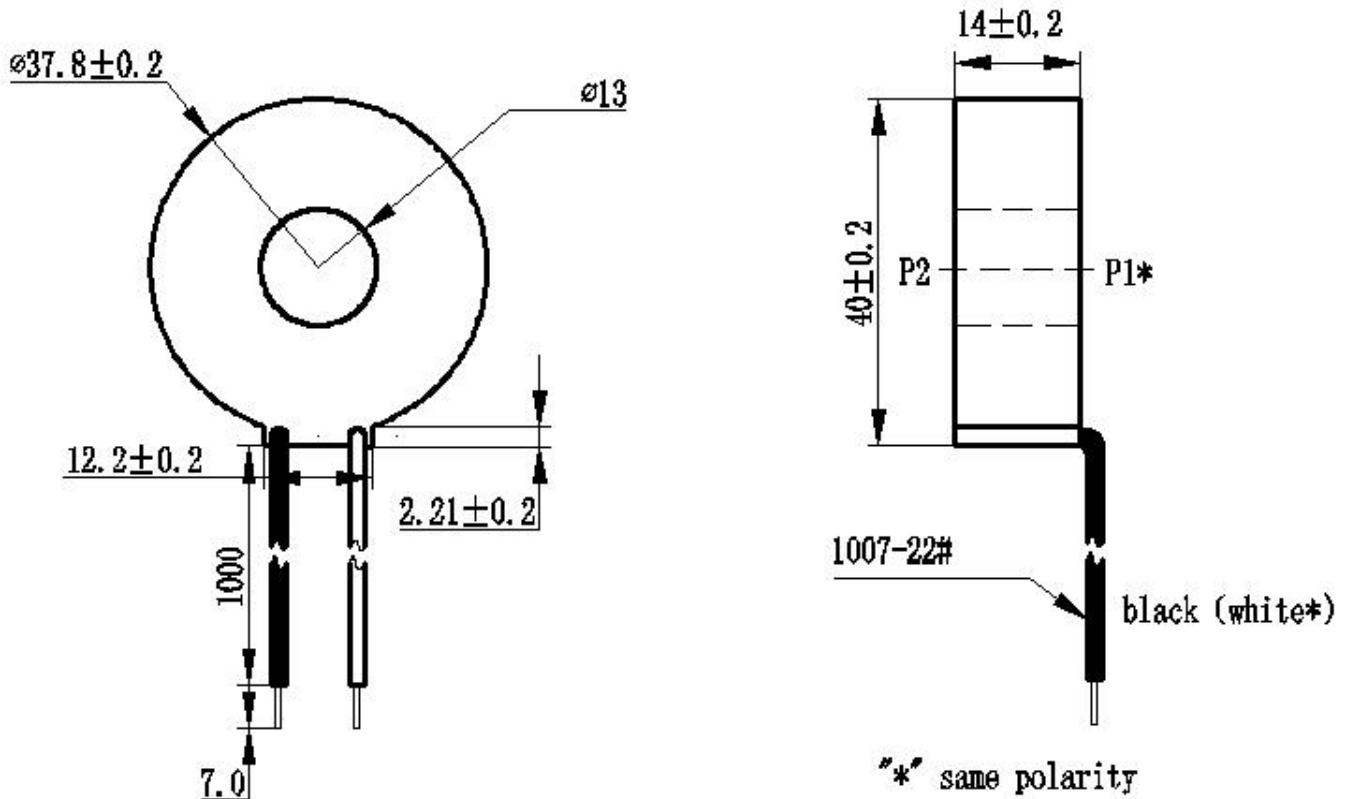


# ZEMCT303E Current Transformer

Structural parameters:  
(Unit:mm)



**NOTE:** ALL LEAD WIRES ARE #22AWG UL1007, 300V;  
LENGTH **1000±20.0mm. S&T 7.0mm**

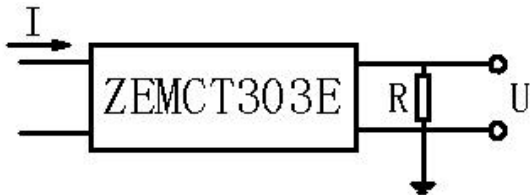
**Front View**

**Lateral view**

The main technical parameters:

Model	ZEMCT303E
input current	0~120A (sampling resistor 10Ω)
Rated output current	15mA at input 30A
Turns ratio	2000:1
Accuracy class	0.2
linearity	≤0.1%(5%dot~120%dot)
Permissible error	-0.2% ≤ f ≤ +0.2% (input 30A, sampling resistor 10Ω)
Output leads	<b>White, black (same polarity: P1 and white wire)</b>
Isolation voltage	3000V
Case	PBT
CORE	Nano core for T30*20*8-107
Wire	0.13mm/2UEW-F/155C
Encapsulation	Epoxy
installation	Straight-through type
operating temperature	-40℃~+85℃

Direction for usage:



$$U = \frac{I}{2000} \cdot R$$

I: input current  
 R: sampling resistor  
 U: sampling volatge

1. ZEMCT303E used for protection. Typical usage as shown.