

## Product Parameters (产品描述)

产品编号 | Part Number: KB-H45-xx-XML  
出光角度 | Beam Angle: 10/25/10\*45°  
产品材料 | Material: PMMA  
工作温度 | Work Temp: <85°C

安装方式 | Fastening: Pins  
防水圈 | Silica seal: N/A  
透光率 | Transmittance: 93%  
匹配光源 | Matched Led: Cree XML RGBW

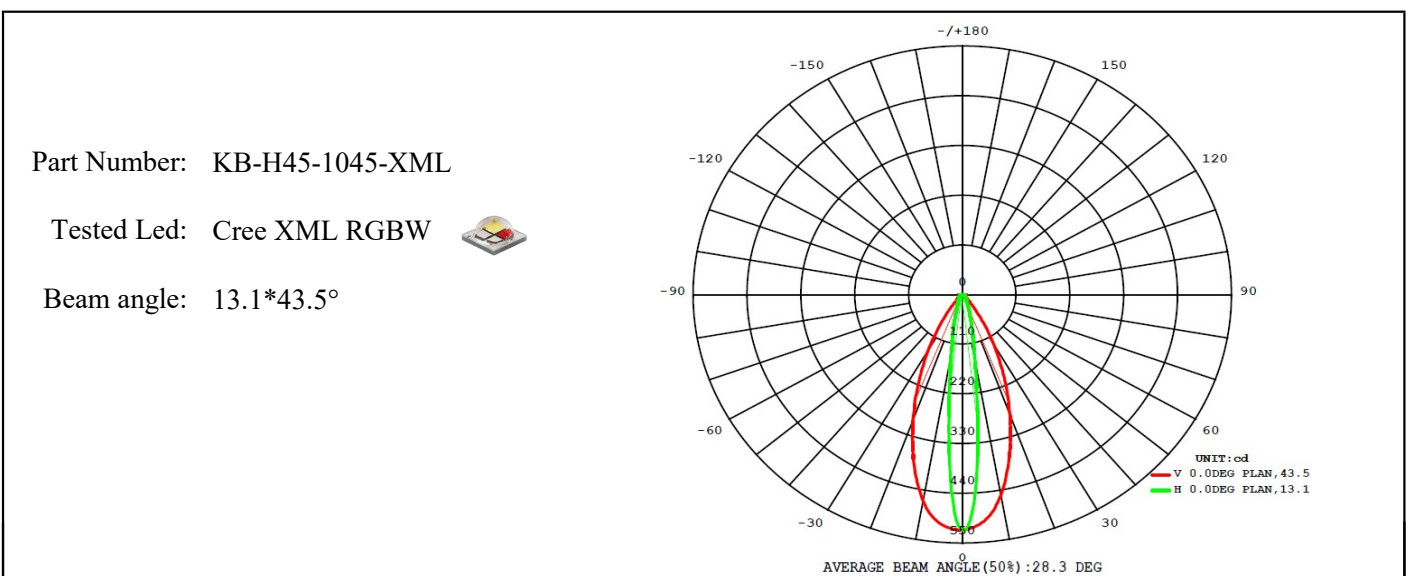
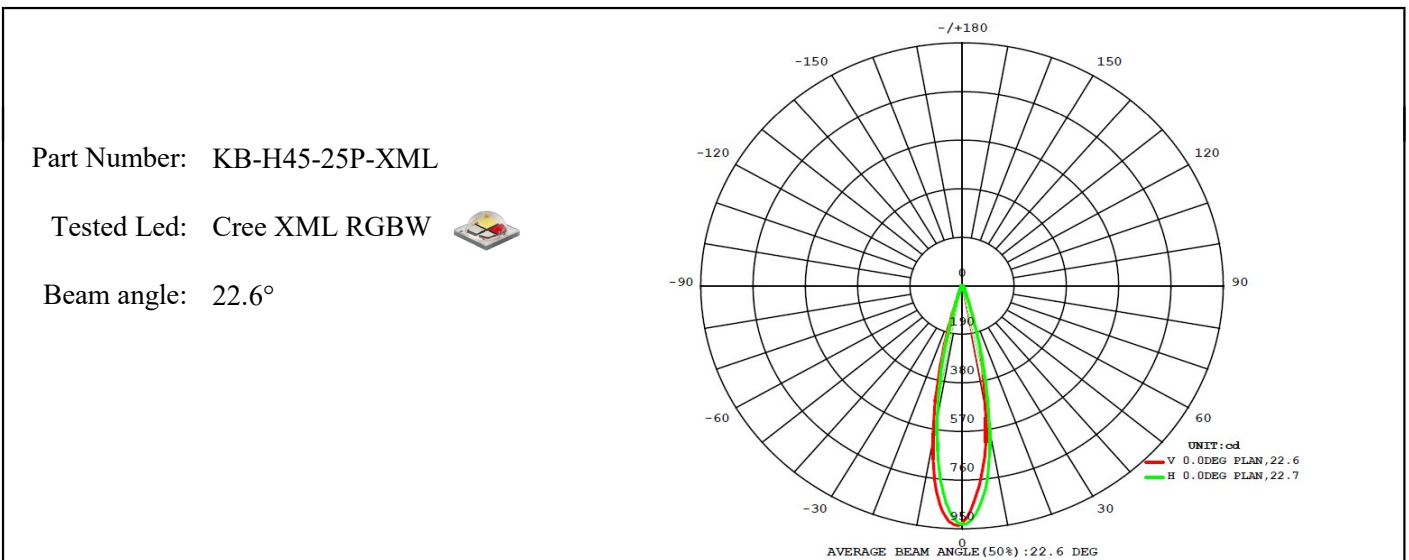
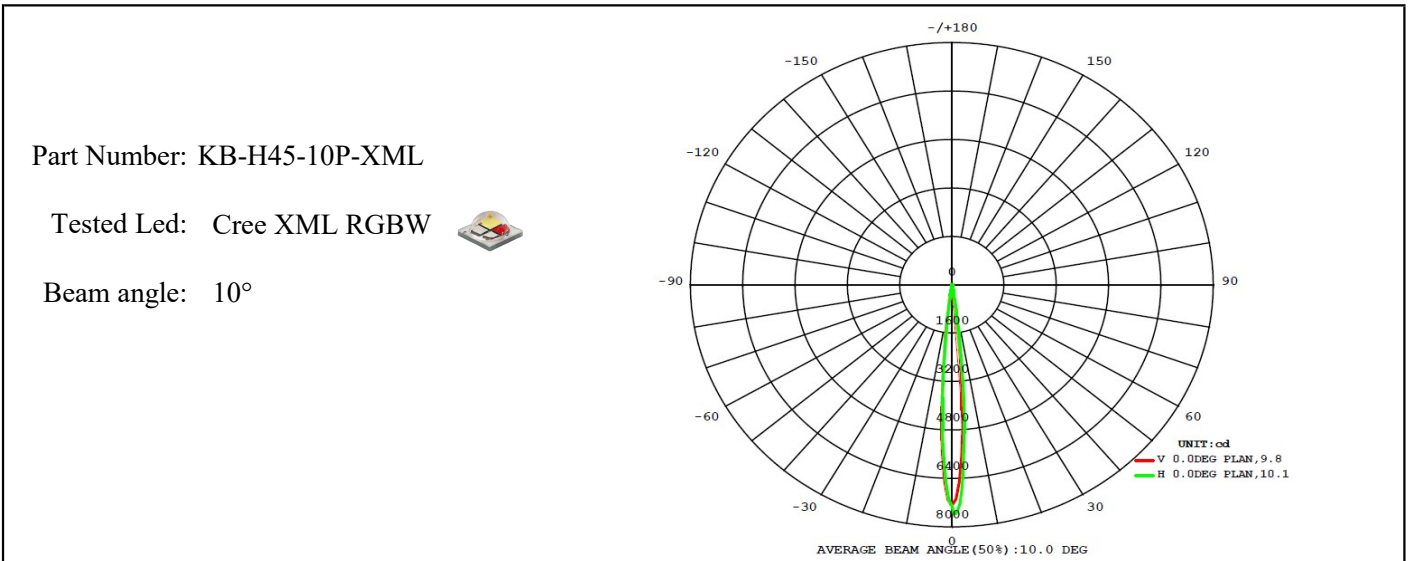
Part Number	Lens Surface	Dimension	Beam Angle
KB-H45-10P-XML	珠面 / Beads	Φ45*H27.2MM	~10°
KB-H45-25P-XML	珠面 / Beads	Φ45*H27.3MM	~25°
KB-H45-1045-XML	条纹面 / Strip	Φ45*H26.5MM	~10*45°

## Direction for Use

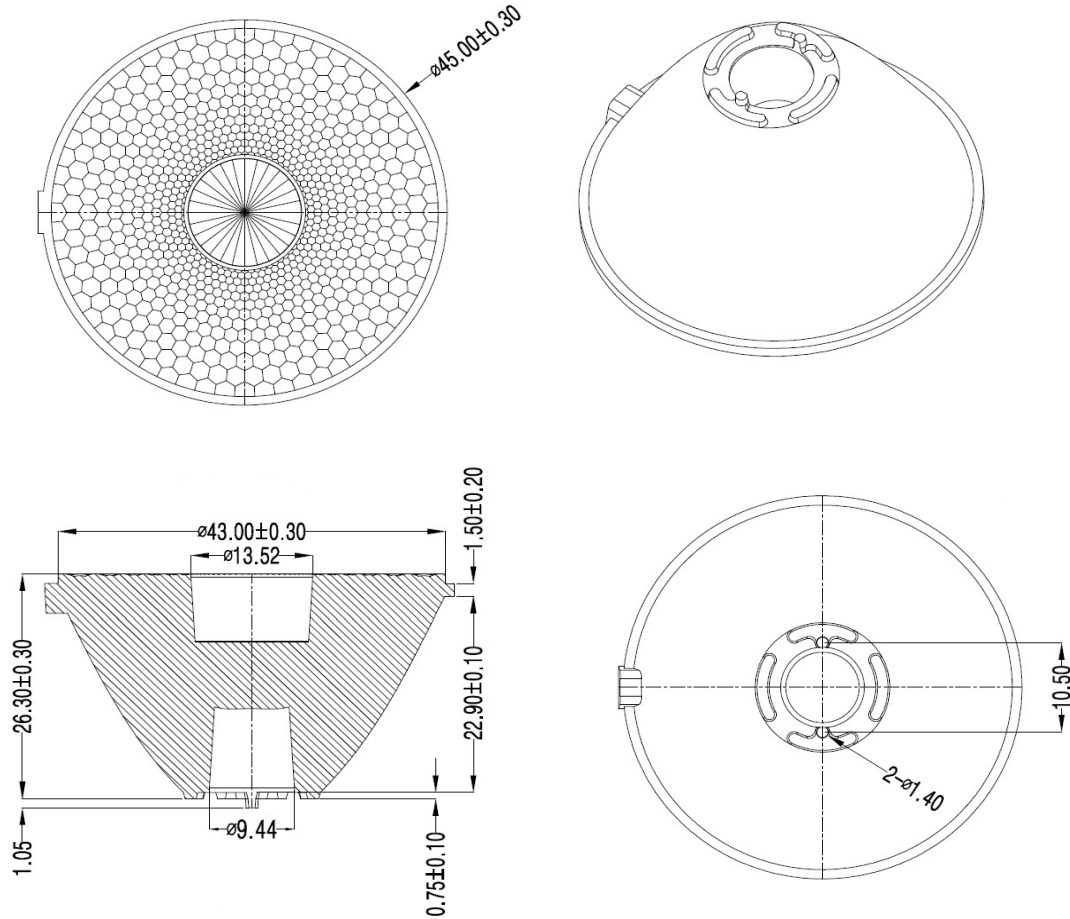
### (透镜 | LENS)

- 1, Please use some soft paper or pure water to clean lens ( reflector)
- 2, Don't use any industrial solvent to clean lens surface , such as alcohol
- 3, Storage environment : Temperature 0~40°C , Humidity 30%~95%
- 4, This kind of lens can make the lighting more concentrated, and it's made from transparent material , so please do not open the packages until you use them, in case of the dust and other pollutions.



## Light Distribution Curve (配光曲线图):



## Mechanical Characteristics (产品尺寸):



## Product Package (产品包装):

Inner Box (内盒)	Outer Carton (外箱)
	
<p>6pcs/layer 6layers/ box gross weight: 1kg</p>	<p>20 boxes (720pcs) / carton gross weight: 20.8kg carton dimension: 64*28*30cm</p>