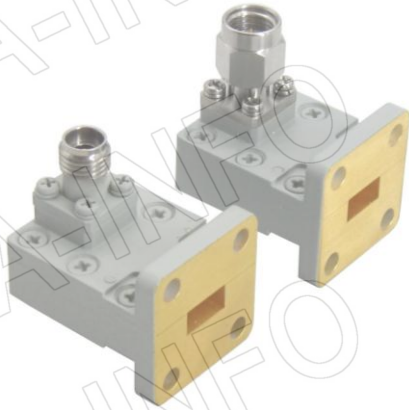


For reference only. See data sheet for the detailed specifications.

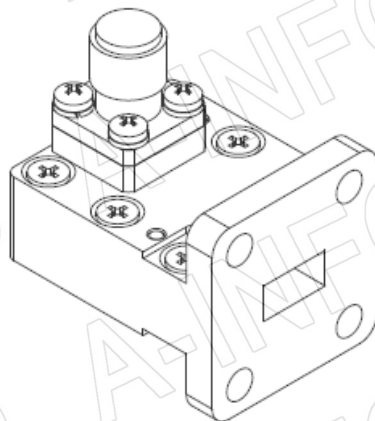
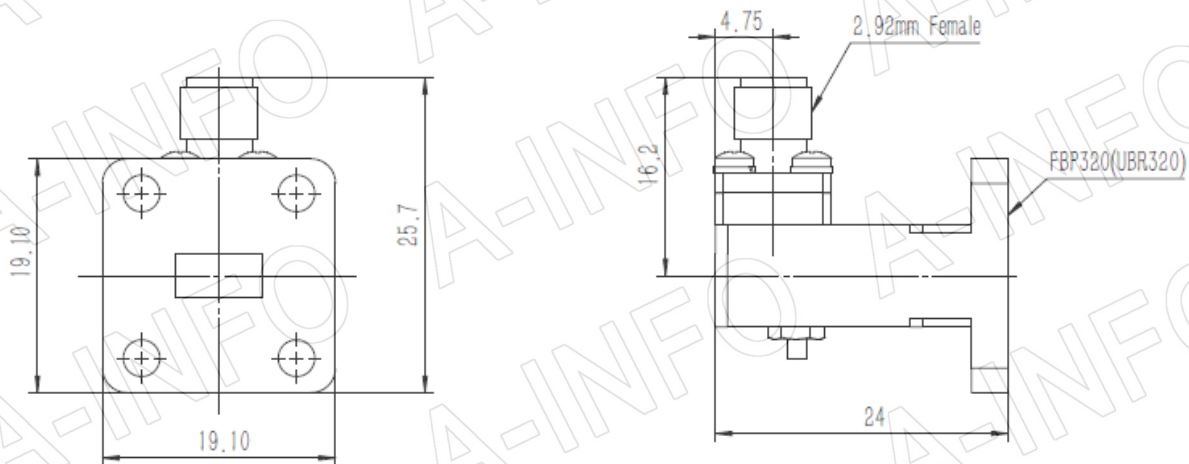
Technical Specification



EIA WR	WR28
Frequency Range(GHz)	26.5 – 40.0
Insertion Loss(dB)	0.39 Max.
VSWR	1.30:1 Max.
Flange	FBP320(UBR320)
Connector	2.92mm-Female or 2.92mm-Male
Average Power(W CW)	20 Max.
Peak Power(KW)	3
Material	Cu
Size(mm)	24 x 19.1 x 25.7
Net Weight(Kg)	0.02 Around

Outline Drawing (Size: mm)

2.92mm-Female Output (P/N: 28WCAK_Cu)



AINFO Inc.

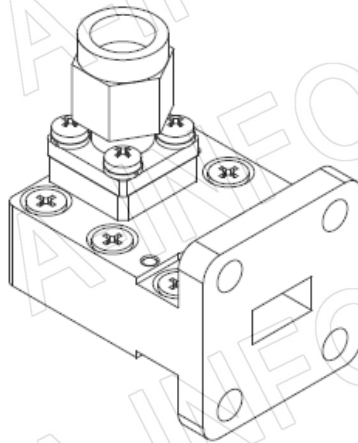
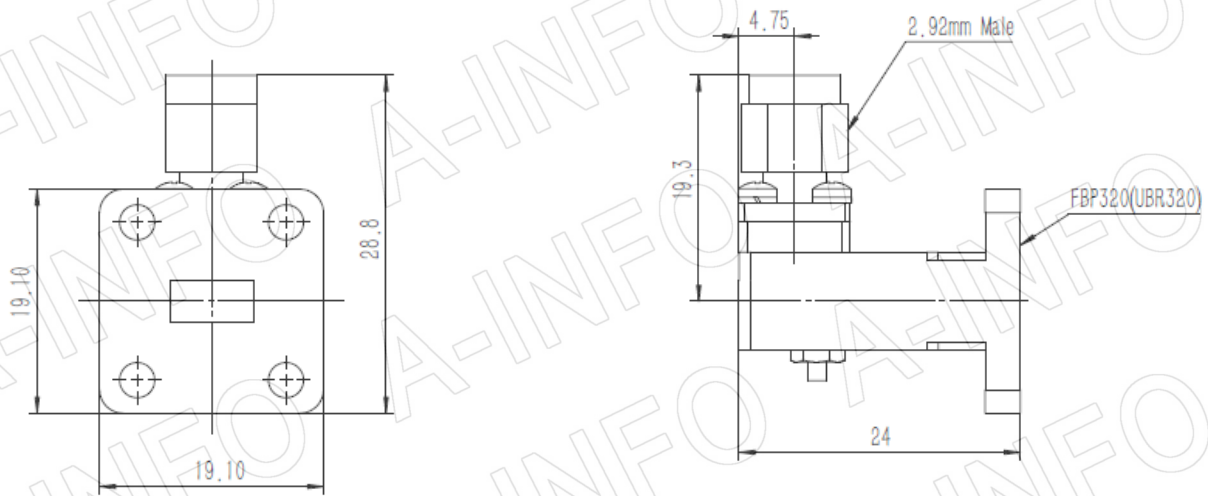
Page 1 of 4

China(Beijing): Tel: (+86) 10-6266-7326,
China(Chengdu): Tel: (+86) 28-8519-2786,
USA : Tel: (+1) 949-639-9688,

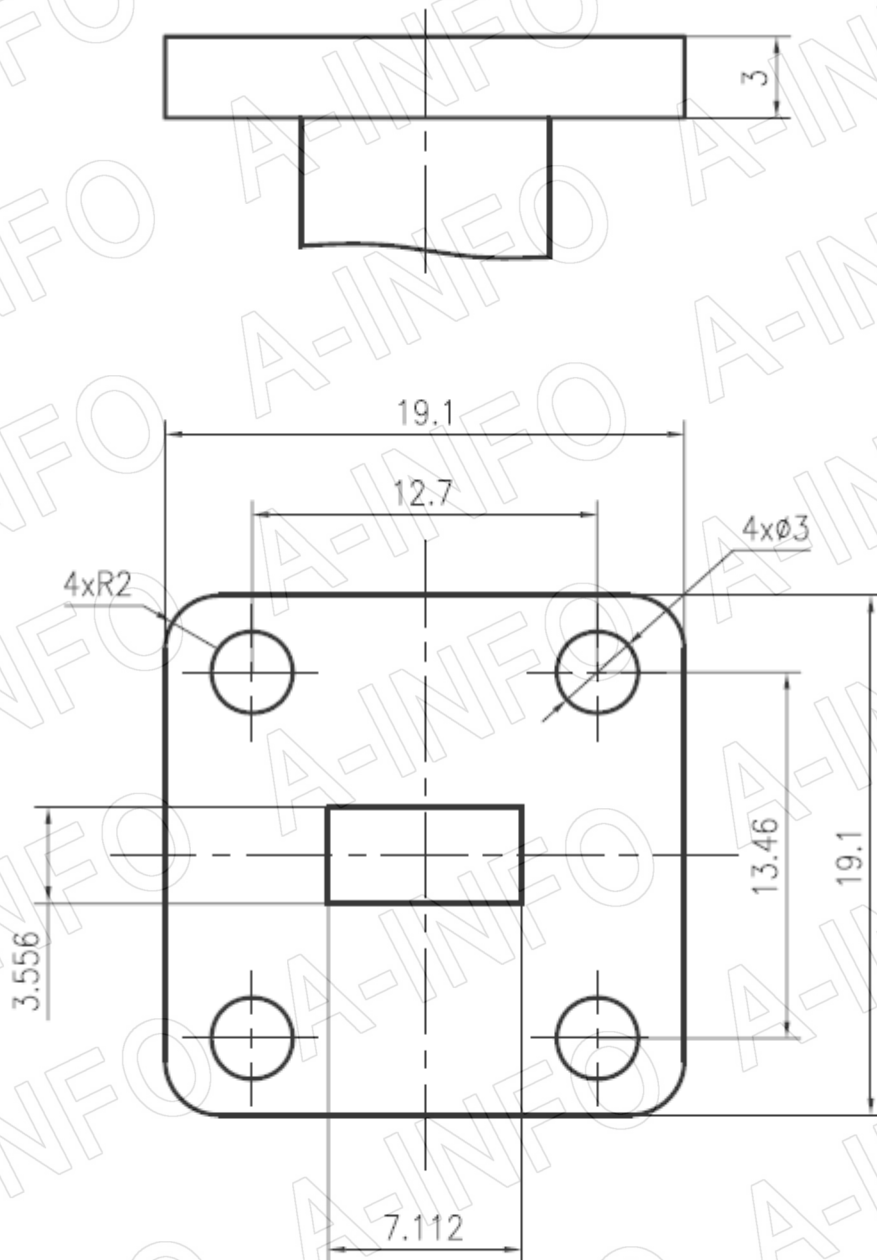
(+86) 10-6266-7327 Fax: (+86) 10-6266-7379
(+86) 28-8519-3044 Fax: (+86) 28-8519-3068
(+1) 949-639-9608 Fax: (+1) 949-639-9670

Website: www.ainfoinc.com
Email: sales@ainfoinc.com

2.92mm-Male Output (P/N: 28WCAKM_Cu)



Flange Drawing (Size: mm)



FBP320

AINFO Inc.

Page 3 of 4

China(Beijing):
China(Chengdu):
USA :

Tel: (+86) 10-6266-7326,
Tel: (+86) 28-8519-2786,
Tel: (+1) 949-639-9688,

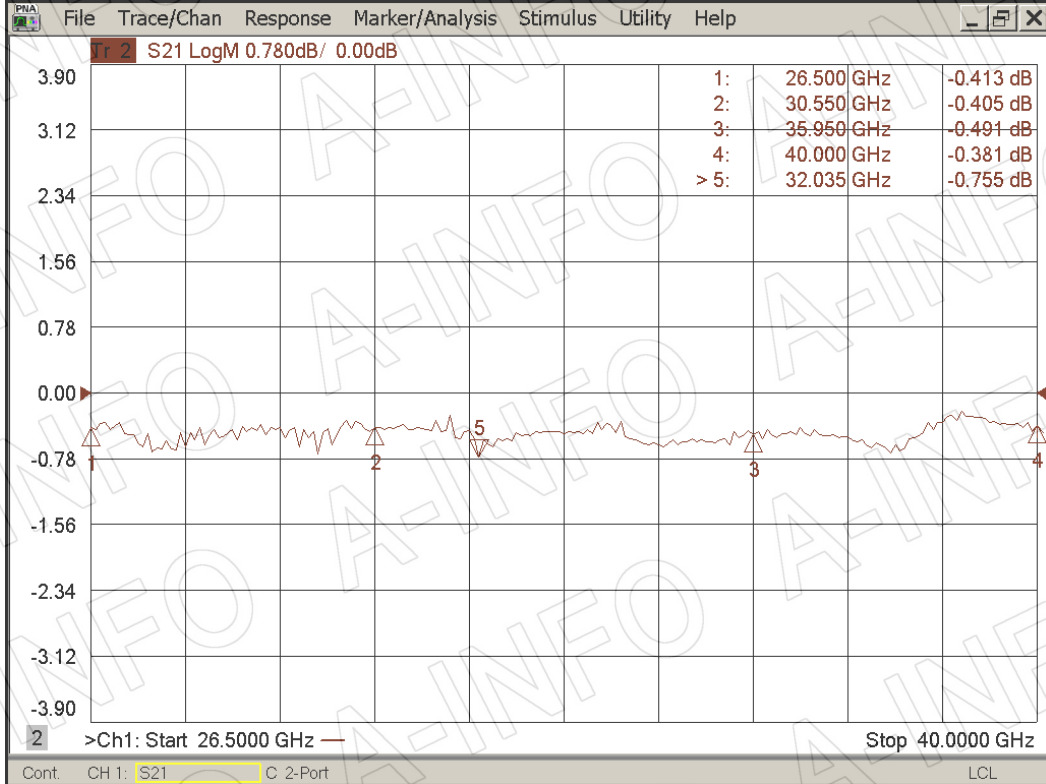
(+86) 10-6266-7327
(+86) 28-8519-3044
(+1) 949-639-9608

Fax: (+86) 10-6266-7379
Fax: (+86) 28-8519-3068
Fax: (+1) 949-639-9670

Website: www.ainfoinc.com
Email: sales@ainfoinc.com

Test Results

I. L. (Test with two adapters back to back)



VSWR

