



RoHS Compliant
TX-1490/RX-1310 nm Single-mode Bi-directional (15 dB margin)
SFP LC Simplex Connector, with Diagnostic Monitoring
IEEE 802.3ah 1000BASE-BX



Features

- RoHS Compliant
- IEEE802.3ah 1000BASE-BX10 application
- Compliant with SFF8472 Digital Diagnostic Standard
- Industry standard small form pluggable (SFP) package
- Hot Pluggable
- Class 1 laser product complies with EN 60825-1

Ordering Information

PART NUMBER	TX/RX	TEMPERATURE	LD Type	Distance
LS48-C3M-TC-N-D4	1490/1310	0°C to 70 °C	1490 DFB	20km
LS48-C3M-TI-N-D4	1490/1310	-40°C to 85 °C	1490 DFB	20km

Diagnostics

Parameter	Range	Accuracy	Unit	Calibration
Temperature	-40 to 95	± 3	°C	External
Voltage	3.0 to 3.6	± 0.1	V	
Bias Current	0 to 100	± 10%	mA	
TX Power	-11 to 0	± 3 dB	dBm	
RX Power	-23 to -3	± 3 dB	dBm	



RoHS Compliant
TX-1490/RX-1310 nm Single-mode Bi-directional (15 dB margin)
SFP LC Simplex Connector, with Diagnostic Monitoring
IEEE 802.3ah 1000BASE-BX

Absolute Maximum Ratings

PARAMETER	SYMBOL	MIN	MAX	UNITS	NOTE
Storage Temperature	T_S	-40	85	°C	
Supply Voltage	V_{CC}	-0.5	4.0	V	
Input Voltage	V_{IN}	-0.5	V_{CC}	V	

Recommended Operating Conditions

PARAMETER	SYMBOL	MIN	MAX	UNITS	NOTE
Case Operating Temperature	T_C	0 -40	70 85	°C	
Supply Voltage	V_{CC}	3.1	3.5	V	
Supply Current	$I_{TX} + I_{RX}$	---	300	mA	
Relative Humidity(Non-condensing)	RH	5	95	%	



RoHS Compliant
TX-1490/RX-1310 nm Single-mode Bi-directional (15 dB margin)
SFP LC Simplex Connector, with Diagnostic Monitoring
IEEE 802.3ah 1000BASE-BX

Transmitter Electro-optical Characteristics

$V_{CC} = 3.1\text{ V to }3.5\text{ V}$, $T_C = 0^\circ\text{C to }70^\circ\text{C}$ ($-40^\circ\text{C to }85^\circ\text{C}$)

PARAMETER	SYMBOL	MIN	TYP.	MAX	UNITS	NOTE
Output Optical Power 9/125 μm fiber	P_{out}	-8	---	-2	dBm	Average
Extinction Ratio	ER	9	---	---	dB	
Center Wavelength	λ_C	1480	1490	1500	nm	
Spectral Width (RMS)	$\Delta\lambda$	---	---	1.0	nm	
Rise/Fall Time, (20–80%)	$T_{r,f}$	---	---	260	ps	
Relative Intensity Noise	RIN	---	---	-120	dB/Hz	
Total Jitter	TJ	---	---	227	ps	
Output Eye	Compliant with IEEE802.3z					
Max. P_{out} TX-DISABLE Asserted	P_{OFF}	---	---	-45	dBm	
Differential Input Voltage	V_{DIFF}	0.4	---	2.0	V	
Transmit Fault Output-Low	TX_FAULT_L	0.0	---	0.5	V	
Transmit Fault Output-High	TX_FAULT_H	2.4	---	V_{CC}	V	
Time to initialize, include reset of TX_FAULT	t_{init}	---	---	300	ms	
TX_FAULT from fault to assertion	t_{fault}	---	---	100	μs	
TX_DISABLE time to start reset	t_{reset}	10	---	---	μs	



RoHS Compliant
TX-1490/RX-1310 nm Single-mode Bi-directional (15 dB margin)
SFP LC Simplex Connector, with Diagnostic Monitoring
IEEE 802.3ah 1000BASE-BX

Receiver Electro-optical Characteristics

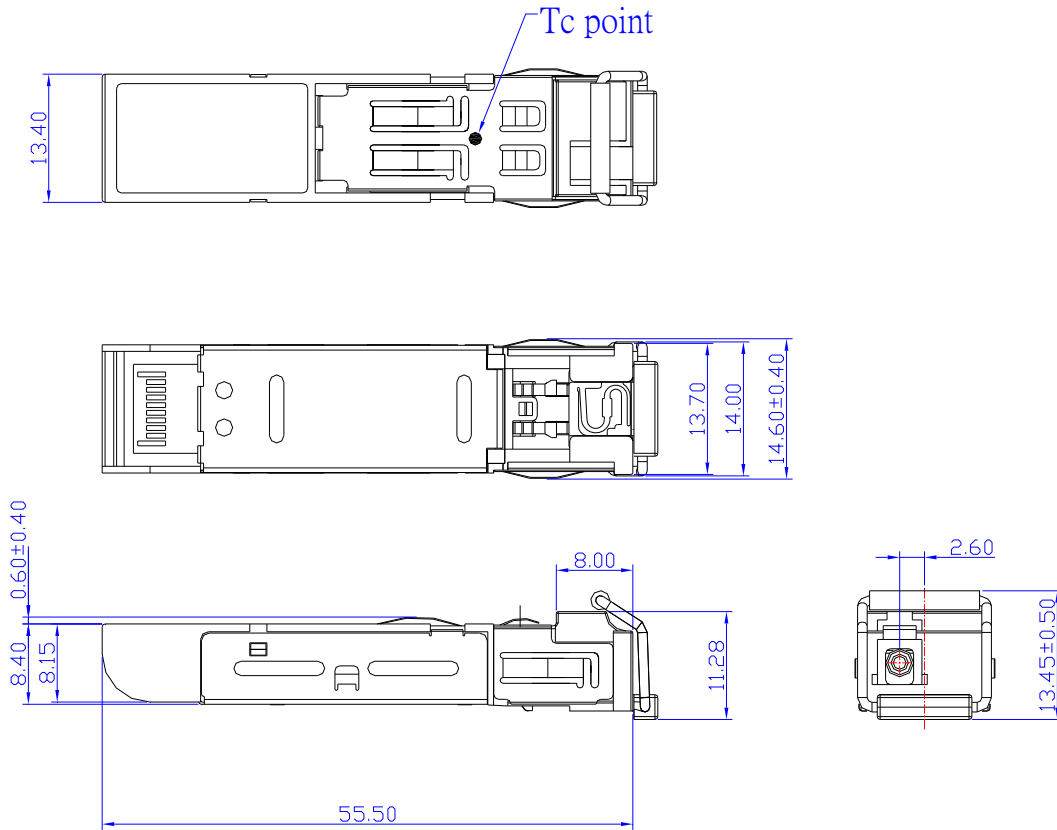
$V_{CC} = 3.1 \text{ V to } 3.5 \text{ V}, T_C = 0^\circ \text{C to } 70^\circ \text{C} (-40^\circ \text{C to } 85^\circ \text{C})$

PARAMETER	SYMBOL	MIN	TYP.	MAX	UNITS	NOTE
Optical Input Power-maximum	P_{IN}	-2	---	---	dBm	PRBS7, BER < 10^{-12}
RX Sensitivity	P_{IN}	---	---	-23	dBm	PRBS7, BER < 10^{-12}
Operating Center Wavelength	λ_C	1260	---	1360	nm	
Optical Return Loss	ORL	14	---	---	dB	$\lambda=1260\sim1360\text{nm}$
Optical isolation	ISO	---	---	-45	dB	$\lambda=1480\sim1500\text{nm}$
LOS Deasserted	P_D	---	---	-23	dBm	
LOS Asserted	P_A	-35	---	---	dBm	
Differential Output Voltage	V_{DIFF}	0.5	---	1.2	V	
Data Output Rise, Fall Time (20–80%)	$T_{r,f}$	---	---	0.35	ns	
Receiver Loss of Signal Output Voltage-Low	RX_LOS_L	0	---	0.5	V	
Receiver Loss of Signal Output Voltage-High	RX_LOS_H	2.4	---	V_{CC}	V	



RoHS Compliant
TX-1490/RX-1310 nm Single-mode Bi-directional (15 dB margin)
SFP LC Simplex Connector, with Diagnostic Monitoring
IEEE 802.3ah 1000BASE-BX

Dimensions

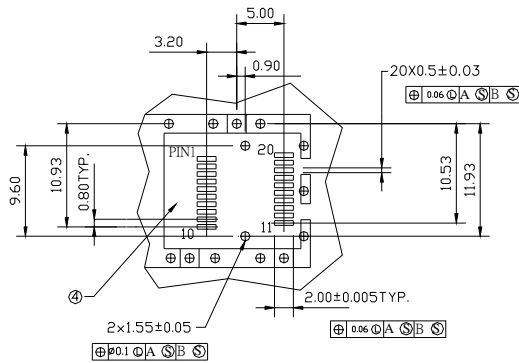
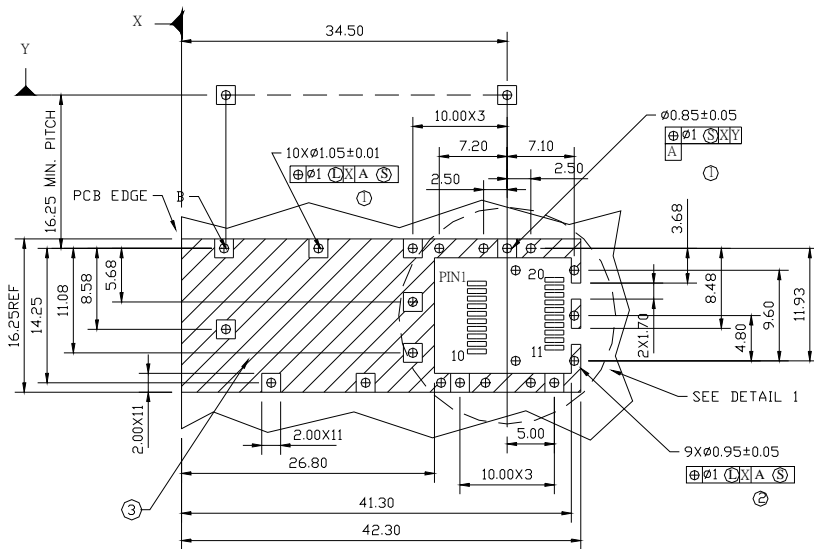


DIMENSIONS ARE IN MILLIMETERS

ALL DIMENSIONS ARE ± 0.2mm UNLESS OTHERWISE SPECIFIED

RoHS Compliant
TX-1490/RX-1310 nm Single-mode Bi-directional (15 dB margin)
SFP LC Simplex Connector, with Diagnostic Monitoring
IEEE 802.3ah 1000BASE-BX

SFP host board mechanical layout



DETAIL 1

LEGEND

- 1.PADS AND VIAS ARE CHASSIS GROUND
- 2.THROUGH HOLES, PLATING OPTIONAL
- 3.HATCHED AREA DENOTES COMPONENT AND TRACE KEEPOUT(EXCEPT CHASSIS GROUND)
- 4.AREA DENOTES COMPONENT KEEPOUT (TRACES ALLOWED)

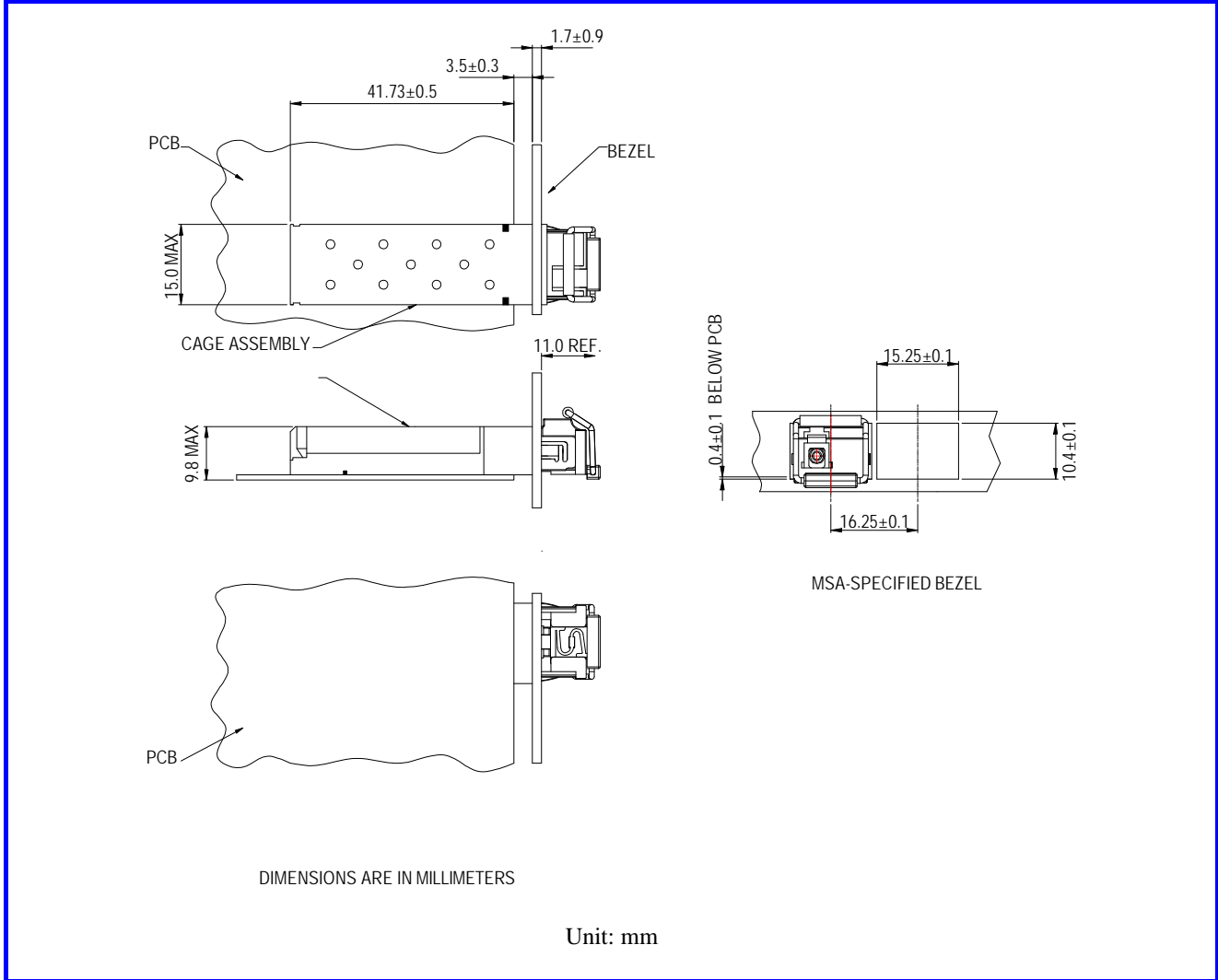
DIMENSIONS ARE IN MILLIMETERS

Unit: mm



RoHS Compliant
TX-1490/RX-1310 nm Single-mode Bi-directional (15 dB margin)
SFP LC Simplex Connector, with Diagnostic Monitoring
IEEE 802.3ah 1000BASE-BX

Assembly drawing

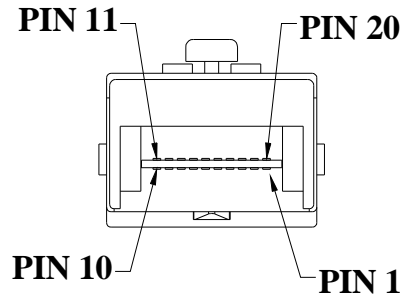




RoHS Compliant
TX-1490/RX-1310 nm Single-mode Bi-directional (15 dB margin)
SFP LC Simplex Connector, with Diagnostic Monitoring
IEEE 802.3ah 1000BASE-BX

Pin Assignment

Pin-Out



Pin	Signal Name	Description
1	T_{GND}	Transmit Ground
2	TX_FAULT	Transmit Fault
3	$TX_DISABLE$	Transmit Disable
4	$MOD_DEF (2)$	SDA Serial Data Signal
5	$MOD_DEF (1)$	SCL Serial Clock Signal
6	$MOD_DEF (0)$	TTL Low
7	$RATE_SELECT$	Open Circuit
8	RX_LOS	Receiver Loss of Signal, TTL High, open collector
9	R_{GND}	Receiver Ground
10	R_{GND}	Receiver Ground
11	R_{GND}	Receiver Ground
12	$RX-$	Receive Data Bar, Differential , ac coupled
13	$RX+$	Receive Data, Differential , ac coupled
14	R_{GND}	Receiver Ground
15	V_{CCR}	Receiver Power Supply
16	V_{CCT}	Transmitter Power Supply
17	T_{GND}	Transmitter Ground
18	$TX+$	Transmit Data, Differential , ac coupled
19	$TX-$	Transmit Data Bar, Differential , ac coupled
20	T_{GND}	Transmitter Ground

Note : All information contained in this document is subject to change without notice.