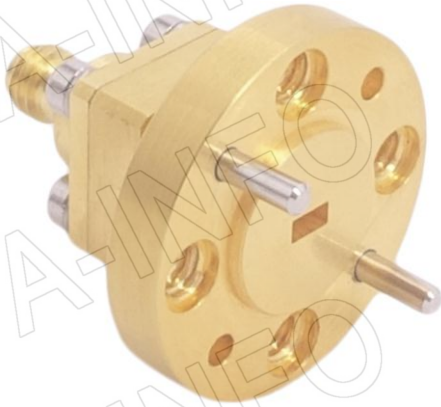


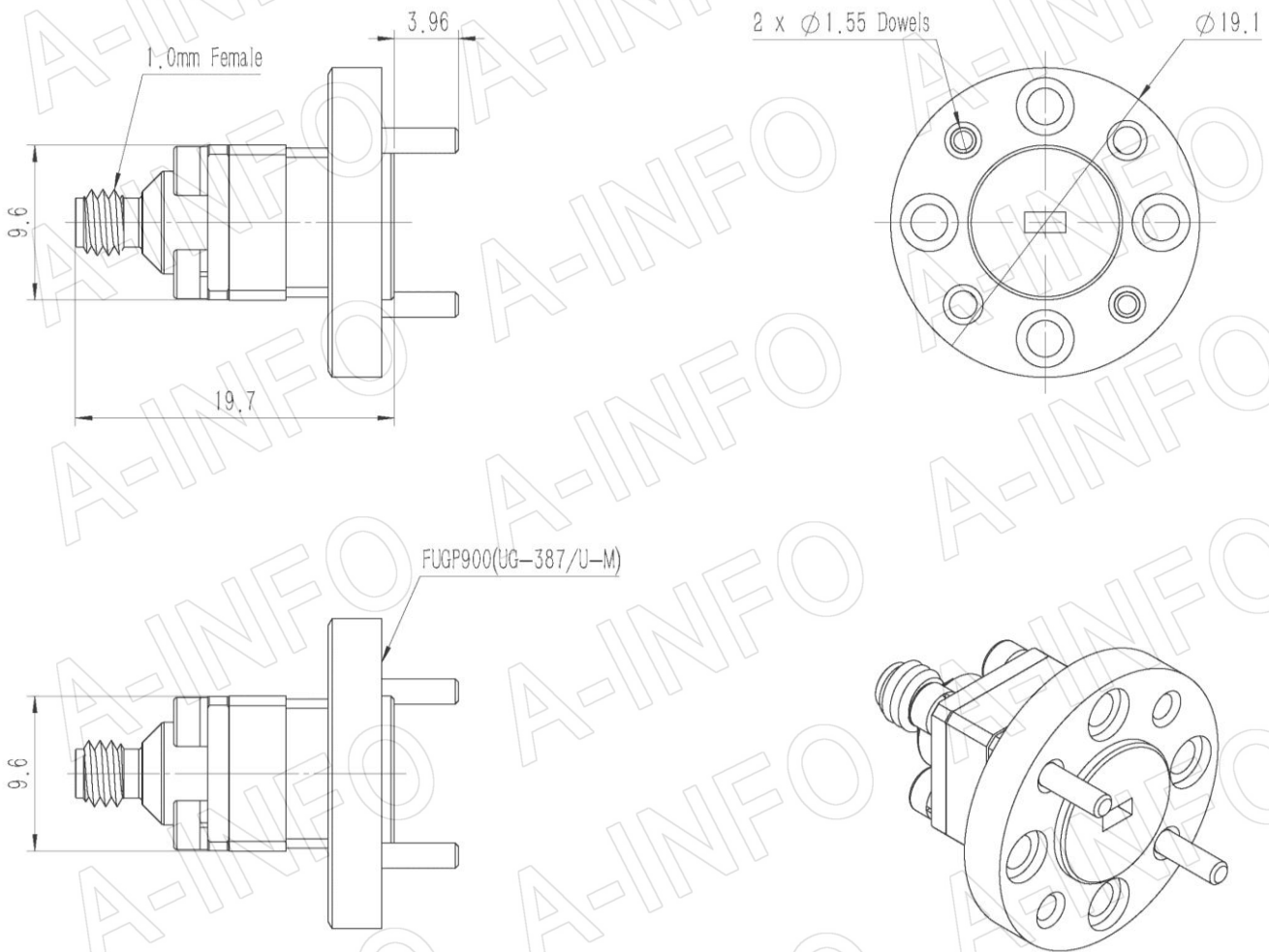
For reference only. See data sheet for the detailed specifications.

Technical Specification



EIA WR	WR10
Frequency Range(GHz)	75.0 – 110.0
Insertion Loss(dB)	0.6 Max.
VSWR	1.50:1 Max.
Flange	FUGP900(UG-387/U-M)
Connector	1.0mm-Female
Average Power(W CW)	3 Max.
Peak Power(KW)	0.005
Material	Cu
Size(mm)	19.7 x 19.1 x 19.1
Net Weight(Kg)	0.02 Around

Outline Drawing (Size: mm)



AINFO Inc.

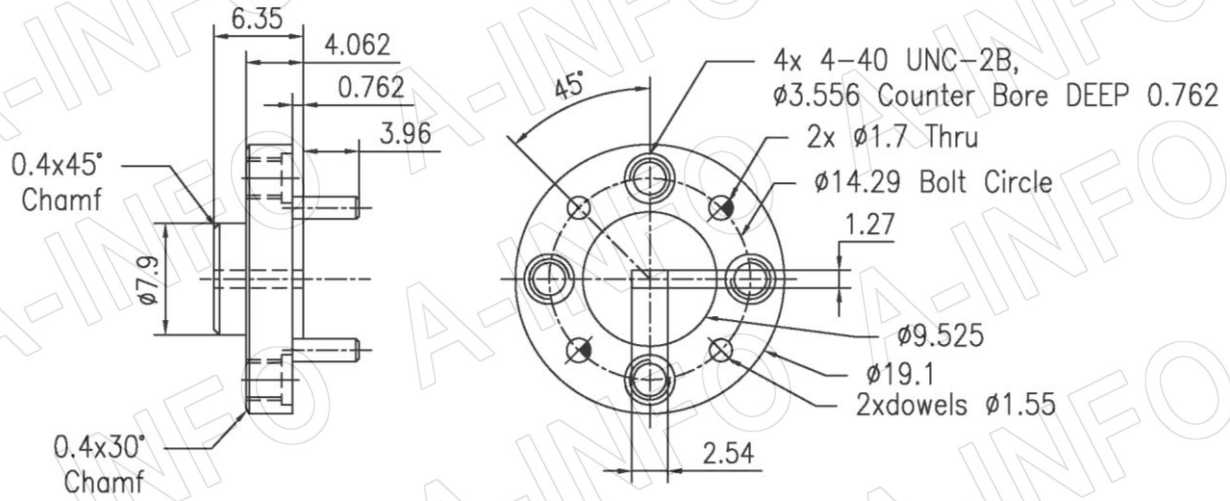
China(Beijing): Tel: (+86) 10-6266-7326,
China(Chengdu): Tel: (+86) 28-8519-2786,
USA : Tel: (+1) 949-639-9688,

Page 1 of 3

(+86) 10-6266-7327 Fax: (+86) 10-6266-7379
(+86) 28-8519-3044 Fax: (+86) 28-8519-3068
(+1) 949-639-9608 Fax: (+1) 949-639-9670

Website: www.ainfoinc.com
Email: sales@ainfoinc.com

Flange Drawing (Size: mm)



FUGP900
(equivalent to UG-387/U-M)

AINFO Inc.

China(Beijing): Tel: (+86) 10-6266-7326,
China(Chengdu): Tel: (+86) 28-8519-2786,
USA: Tel: (+1) 949-639-9688,

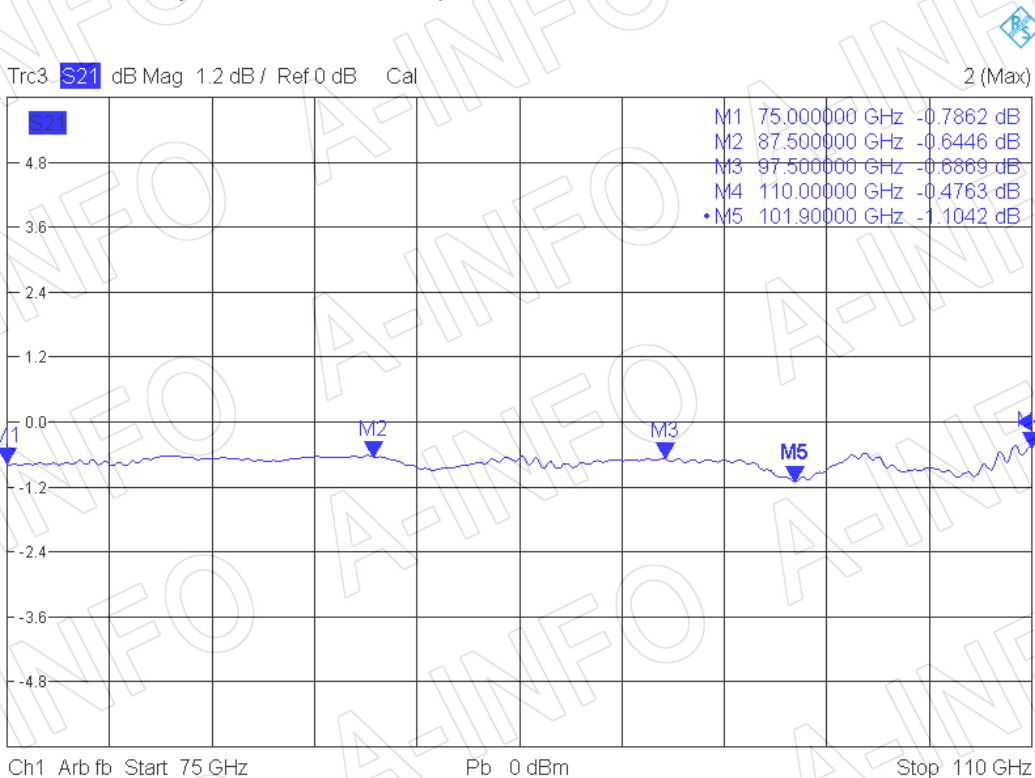
Page 2 of 3

(+86) 10-6266-7327 Fax: (+86) 10-6266-7379
(+86) 28-8519-3044 Fax: (+86) 28-8519-3068
(+1) 949-639-9608 Fax: (+1) 949-639-9670

Website: www.ainfoinc.com
Email: sales@ainfoinc.com

Test Results

I. L. (Test with two adapters back to back)



VSWR

