

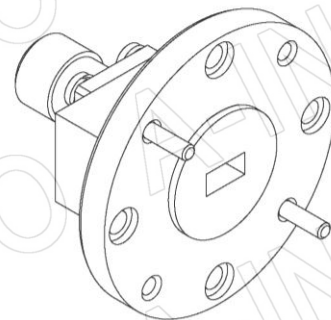
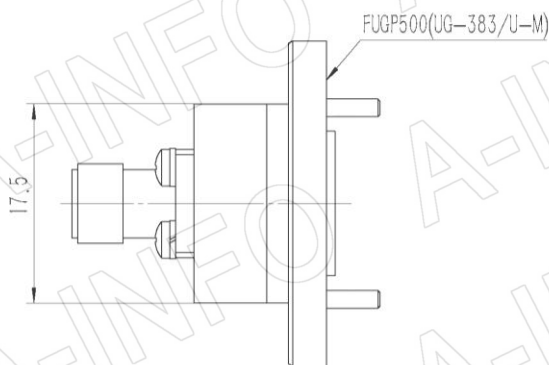
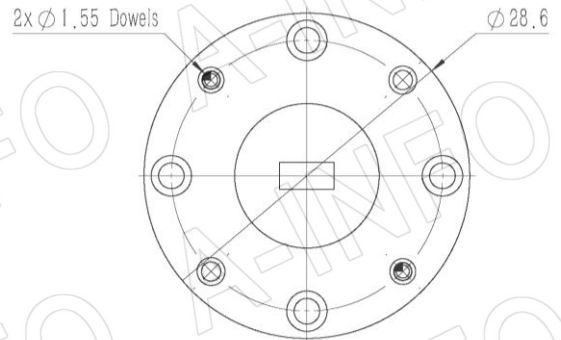
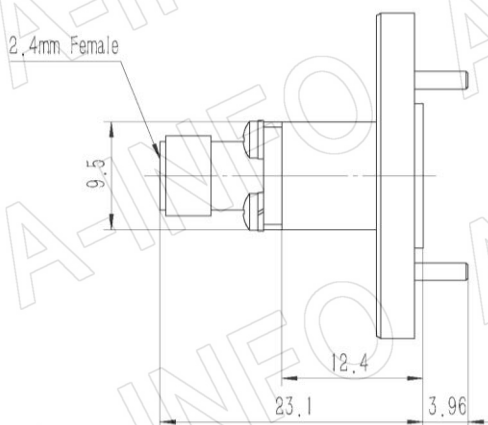
For reference only. See data sheet for the detailed specifications.

Technical Specification

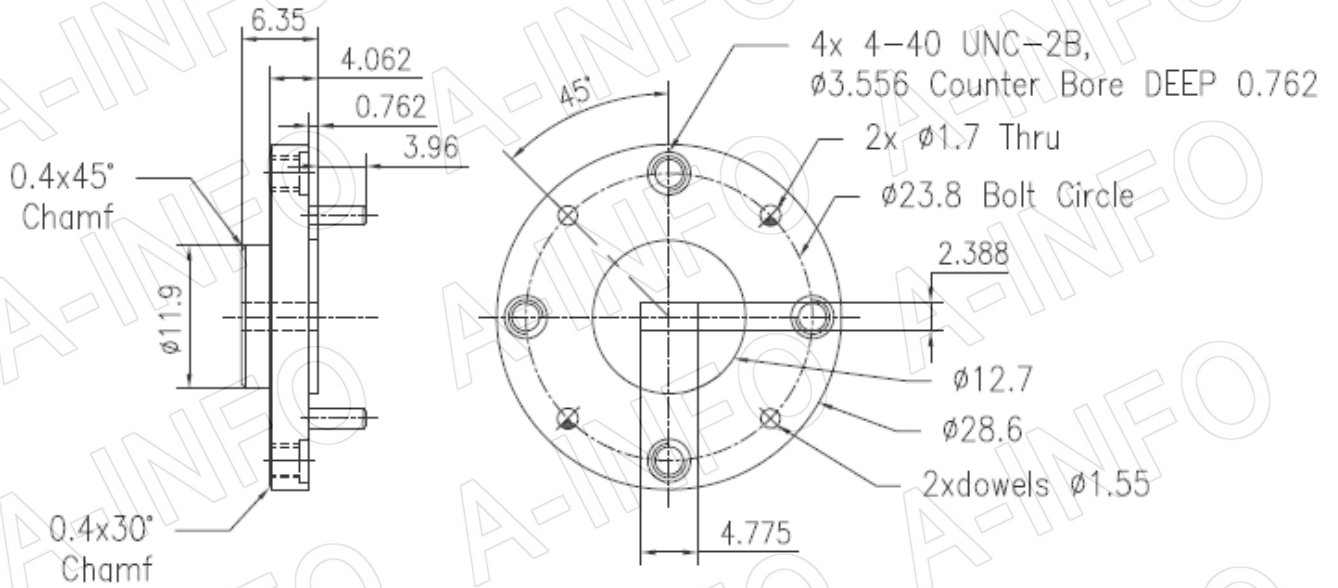


EIA WR	WR19
Frequency Range(GHz)	40.0 - 50.0
Insertion Loss(dB)	0.8 Max.
VSWR	1.50:1 Max.
Flange	FUGP500(UG-383/U-M)
Connector	2.4mm-Female
Average Power(W CW)	10 Max.
Peak Power(KW)	0.02
Material	Cu
Size(mm)	23.1 x 28.6 x 28.6
Net Weight(Kg)	0.03 Around

Outline Drawing (Size: mm)



Flange Drawing (Size: mm)



FUGP500
(equivalent to UG-383/U-M)

AINFO Inc.

China(Beijing): Tel: (+86) 10-6266-7326,
China(Chengdu): Tel: (+86) 28-8519-2786,
USA: Tel: (+1) 949-639-9688,

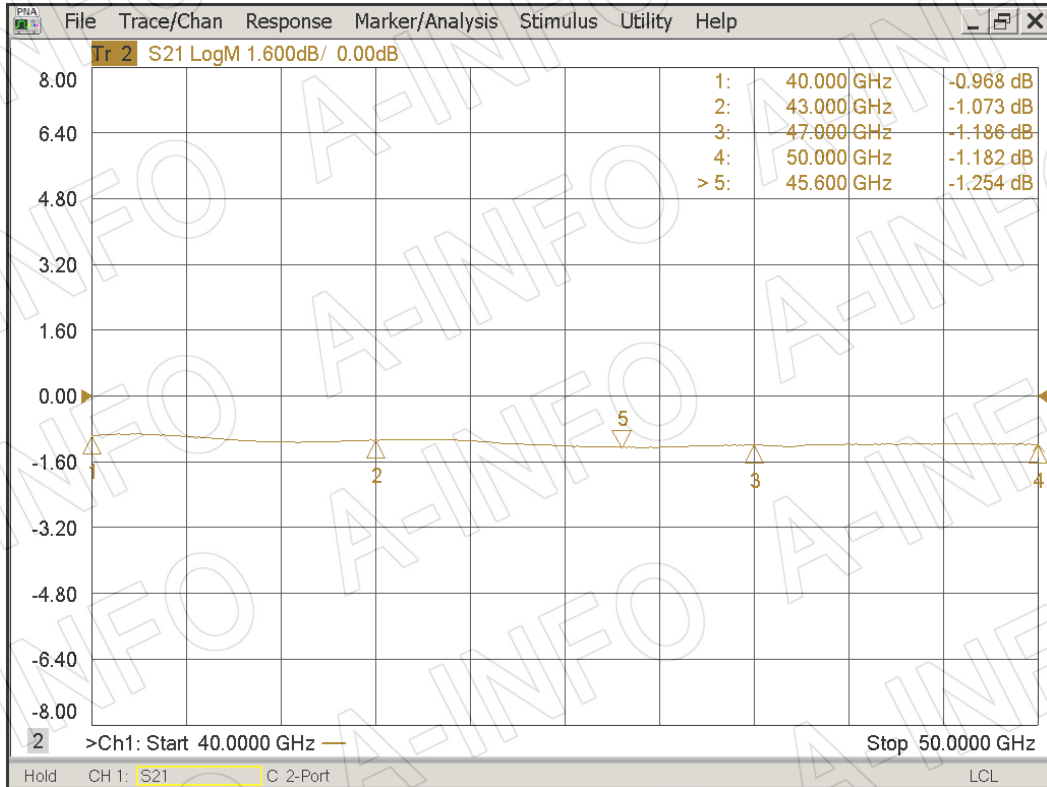
Page 2 of 3

(+86) 10-6266-7327 Fax: (+86) 10-6266-7379
(+86) 28-8519-3044 Fax: (+86) 28-8519-3068
(+1) 949-639-9608 Fax: (+1) 949-639-9670

Website: www.ainfoinc.com
Email: sales@ainfoinc.com

Test results

I. L. (Test with two adapters back to back)



VSWR

