

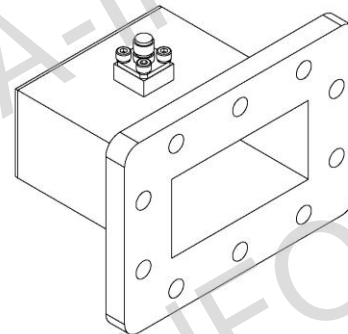
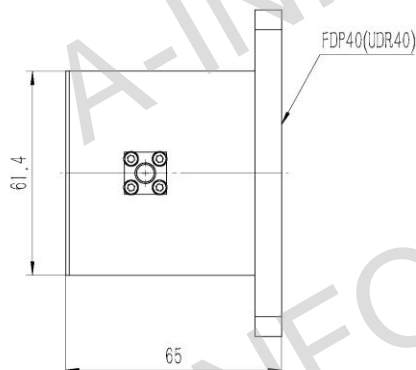
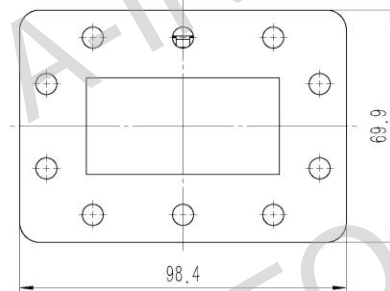
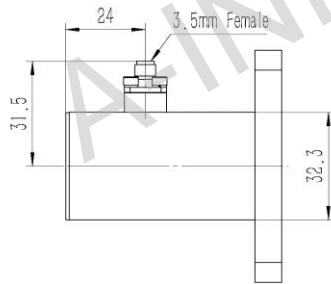
## Technical Specification



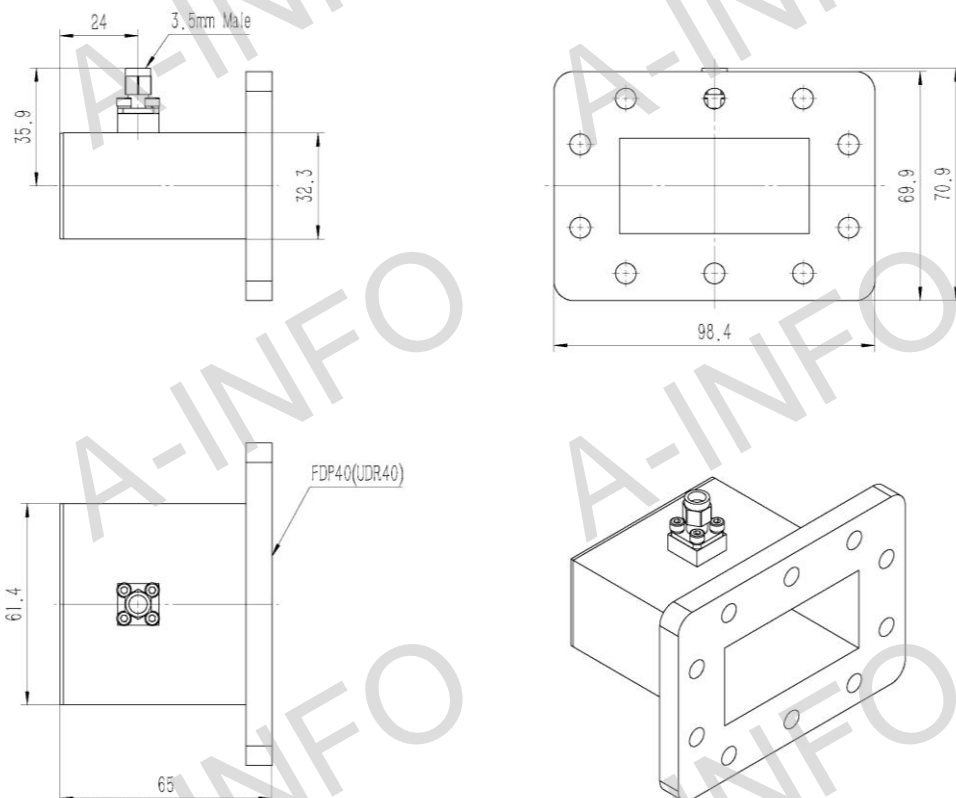
EIA WR	WR229
Frequency Range(GHz)	3.3 – 4.9
Insertion Loss(dB)	0.16 Max.
VSWR	1.25:1 Max.
Flange	FDP40(UDR40)
Connector	3.5mm-Female or 3.5mm-Male
Average Power(W CW)	50 Max.
Peak Power(KW)	0.1
Material	Al
Size(mm)	65 x 98.4 x 69.9
Net Weight(Kg)	0.18 Around

## Outline Drawing (Size: mm)

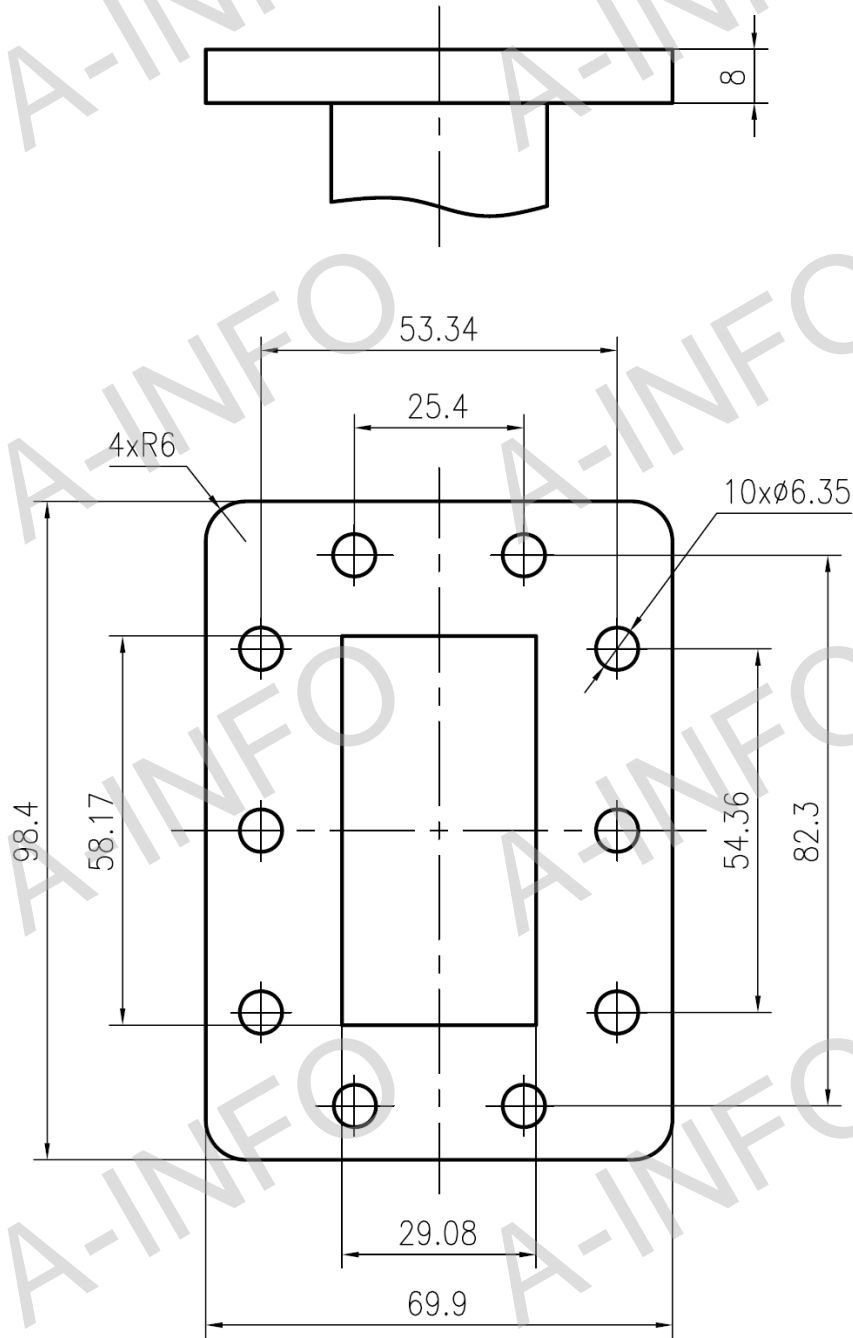
229WCA3.5 (With 3.5mm-Female Output)



## 229WCA3.5M (With 3.5mm-Male Output)



## Flange Drawing (Size: mm)



## FDP40

AINFO Inc.

Page 3 of 4

China(Beijing):  
China(Chengdu):  
USA :

Tel: (+86) 10-6266-7326,  
Tel: (+86) 28-8519-2786,  
Tel: (+1) 949-639-9688,

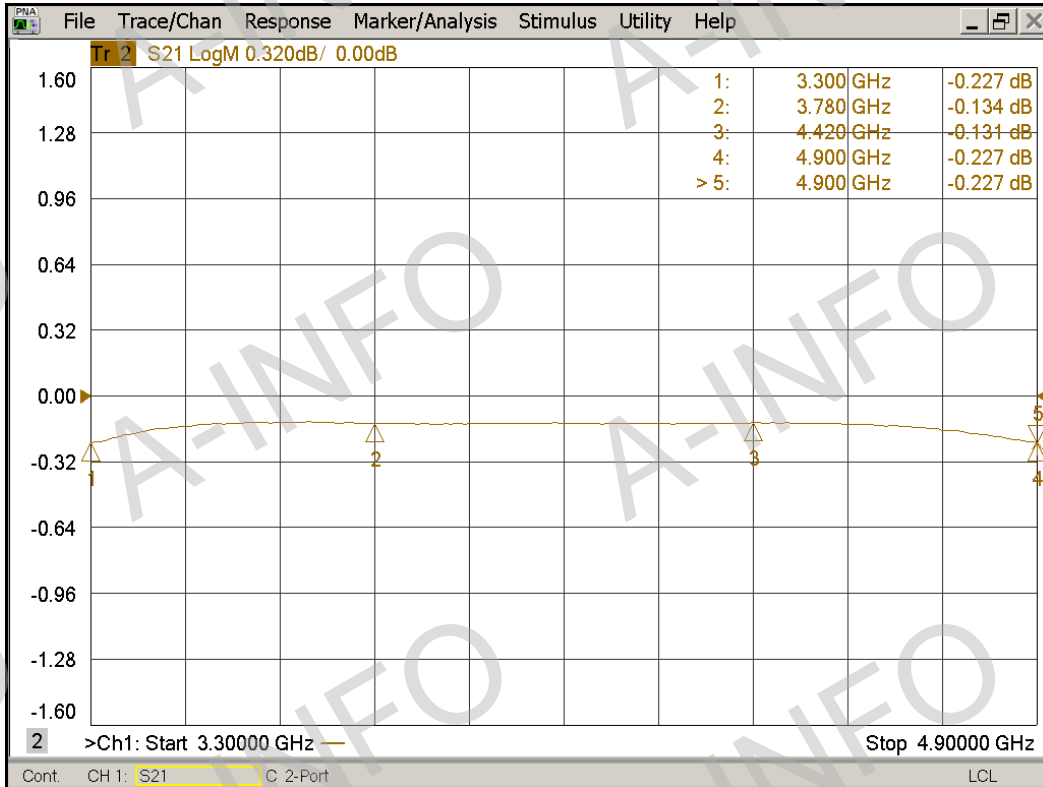
(+86) 10-6266-7327  
(+86) 28-8519-3044  
(+1) 949-639-9608

Fax: (+86) 10-6266-7379  
Fax: (+86) 28-8519-3068  
Fax: (+1) 949-639-9670

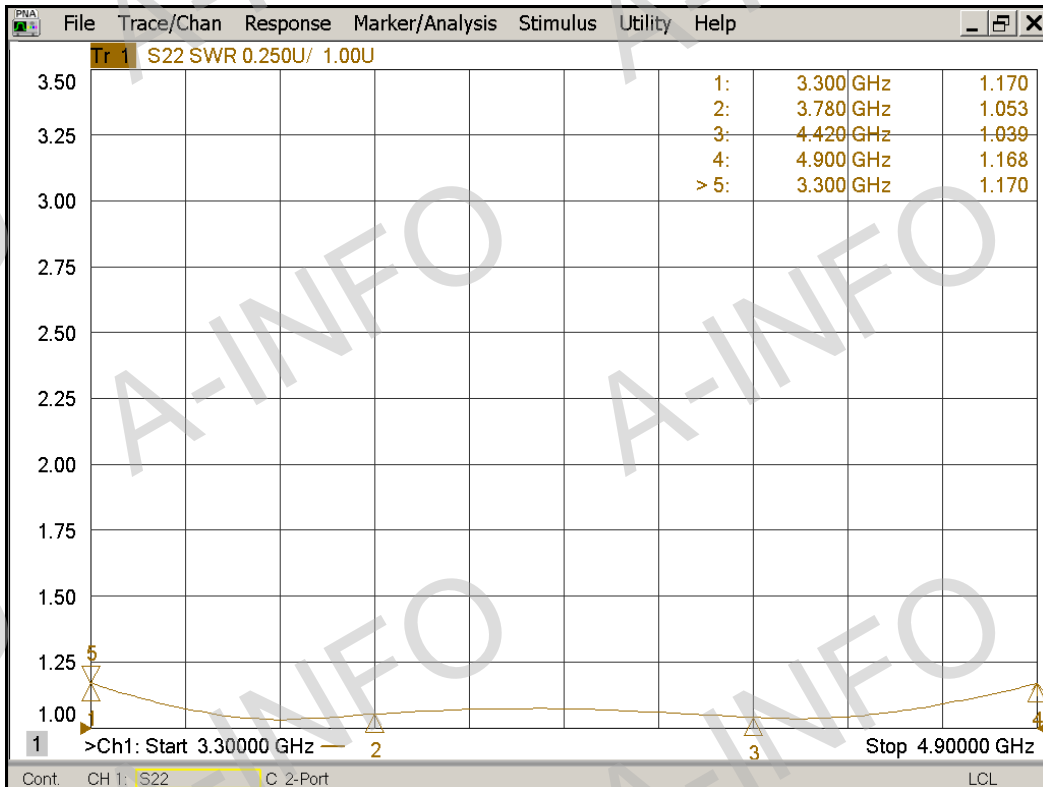
Website: [www.ainfoinc.com](http://www.ainfoinc.com)  
Email: [sales@ainfoinc.com](mailto:sales@ainfoinc.com)

## Test Results

Insertion Loss (Test with two adapters back to back)



VSWR



AINFO Inc.

Page 4 of 4

China(Beijing):  
China(Chengdu):  
USA :

Tel: (+86) 10-6266-7326,  
Tel: (+86) 28-8519-2786,  
Tel: (+1) 949-639-9688,

(+86) 10-6266-7327  
(+86) 28-8519-3044  
(+1) 949-639-9608

Fax: (+86) 10-6266-7379  
Fax: (+86) 28-8519-3068  
Fax: (+1) 949-639-9670

Website: www.ainfoinc.com  
Email: sales@ainfoinc.com