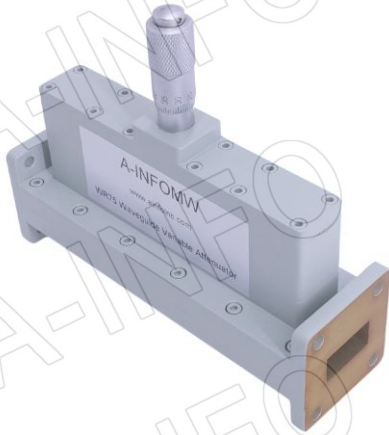
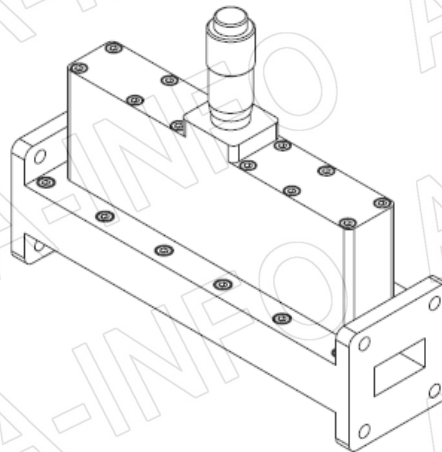
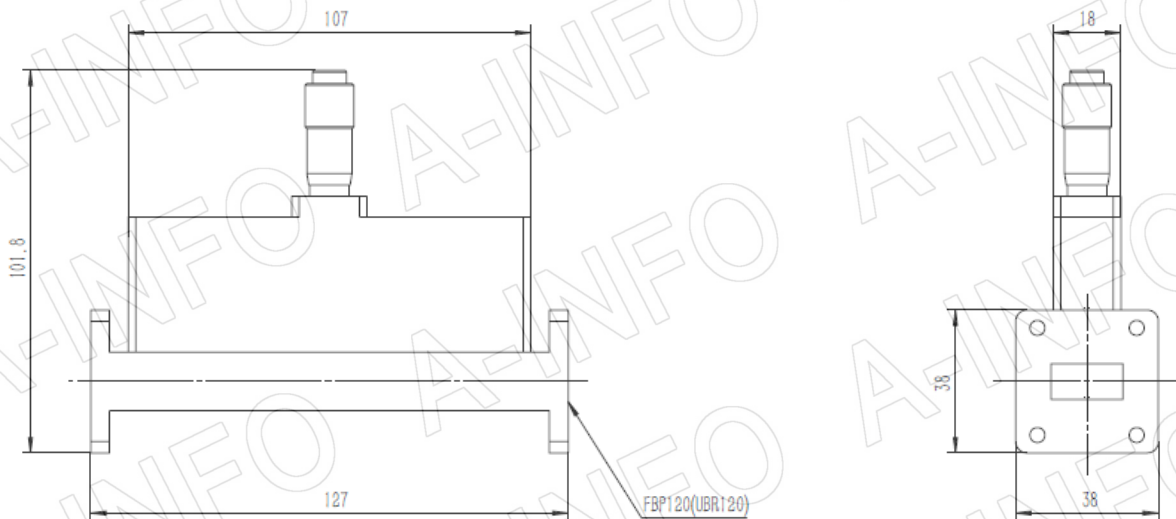


Technical Specification



EIA WR	WR75
Frequency Range(GHz)	10.0 - 15.0
Attenuation(dB)	0 - 20
Insertion Loss(dB)	0.15 Max.
VSWR	1.25:1 Max.
Average Power(W CW)	2
Flange	FBP120(UBR120)
Material	Al
Size(mm)	127 x 38 x 101.8
Net Weight(Kg)	0.35 Around

Outline Drawing (Size: mm)



AINFO Inc.

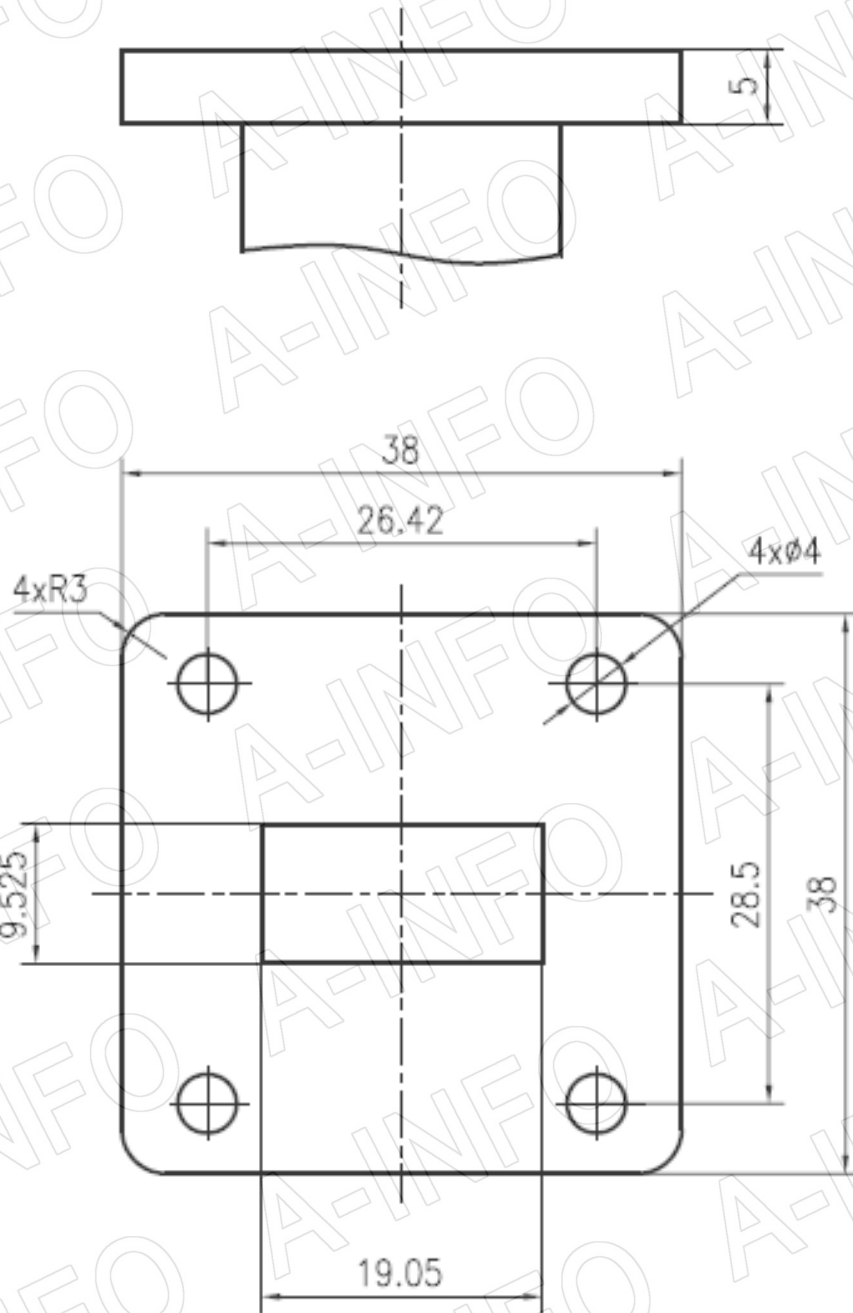
Page 1 of 3

China(Beijing): Tel: (+86) 10-6266-7326,
China(Chengdu): Tel: (+86) 28-8519-2786,
USA: Tel: (+1) 949-639-9688,

(+86) 10-6266-7327 Fax: (+86) 10-6266-7379
(+86) 28-8519-3044 Fax: (+86) 28-8519-3068
(+1) 949-639-9608 Fax: (+1) 949-639-9670

Website: www.ainfoinc.com
Email: sales@ainfoinc.com

Flange Drawing (Size: mm)



FBP120

AINFO Inc.

Page 2 of 3

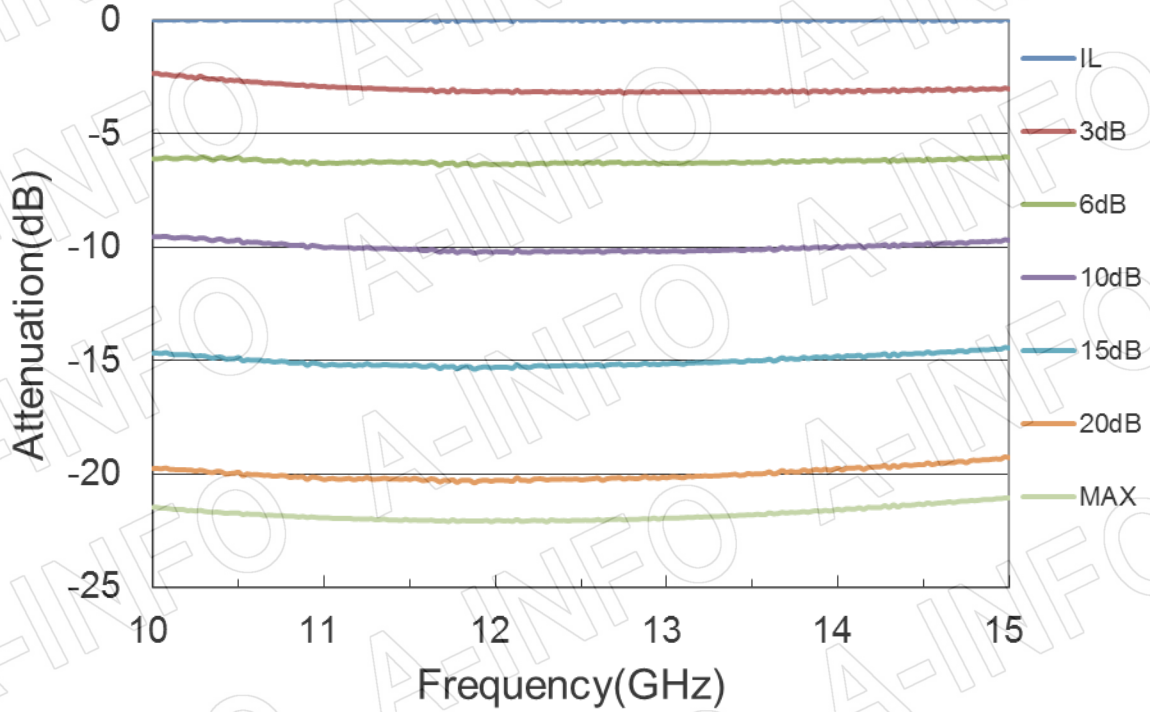
China(Beijing): Tel: (+86) 10-6266-7326,
China(Chengdu): Tel: (+86) 28-8519-2786,
USA: Tel: (+1) 949-639-9688,

(+86) 10-6266-7327 Fax: (+86) 10-6266-7379
(+86) 28-8519-3044 Fax: (+86) 28-8519-3068
(+1) 949-639-9608 Fax: (+1) 949-639-9670

Website: www.ainfoinc.com
Email: sales@ainfoinc.com

Test Results

Attenuation



I.L. & VSWR

CH1	S11	\$WR	250 m / REF 1	5: 1.0385	12.725 000 000 GHz
CH2	S21	LOG	.15 dB / REF 0 dB	5: -.08500 dB	10.075 000 000 GHz
CH4	S22	\$WR	250 m / REF 1	5: 1.0463	12.700 000 000 GHz

