

For reference only. See data sheet for the detailed specifications.

Technical Specification

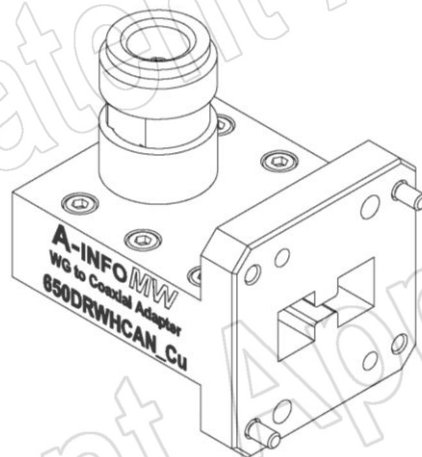
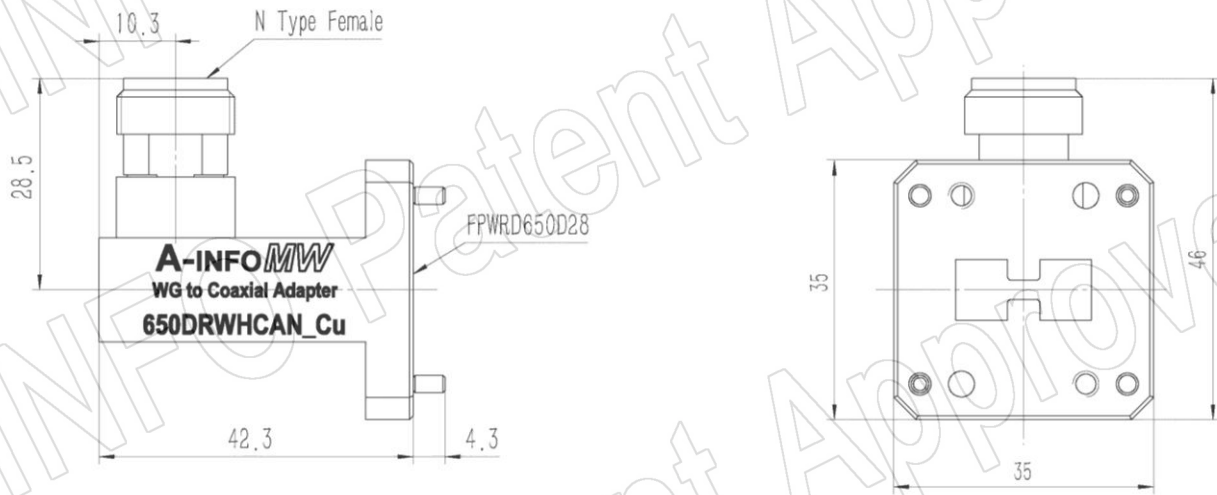


EIA WRD	WRD650
Frequency Range(GHz)	6.5 – 18.0
Insertion Loss(dB)	0.25 Max.
VSWR	1.30:1 Max
Flange	FPWRD650D28
Connector	High Power N-Female
Average Power(W CW)	500 Max.
Peak Power(KW)	3
Material	Cu
Size(mm)	42.3 x 35 x 46
Net Weight(Kg)	0.20 Around

PATENT ID (China)

ZL201621018748.5

Outline Drawing (Size: mm)



AINFO Inc.

China(Beijing):
China(Chengdu):
USA :

Tel: (+86) 10-6266-7326,
Tel: (+86) 28-8519-2786,
Tel: (+1) 949-639-9688,

(+86) 10-6266-7327
(+86) 28-8519-3044
(+1) 949-639-9608

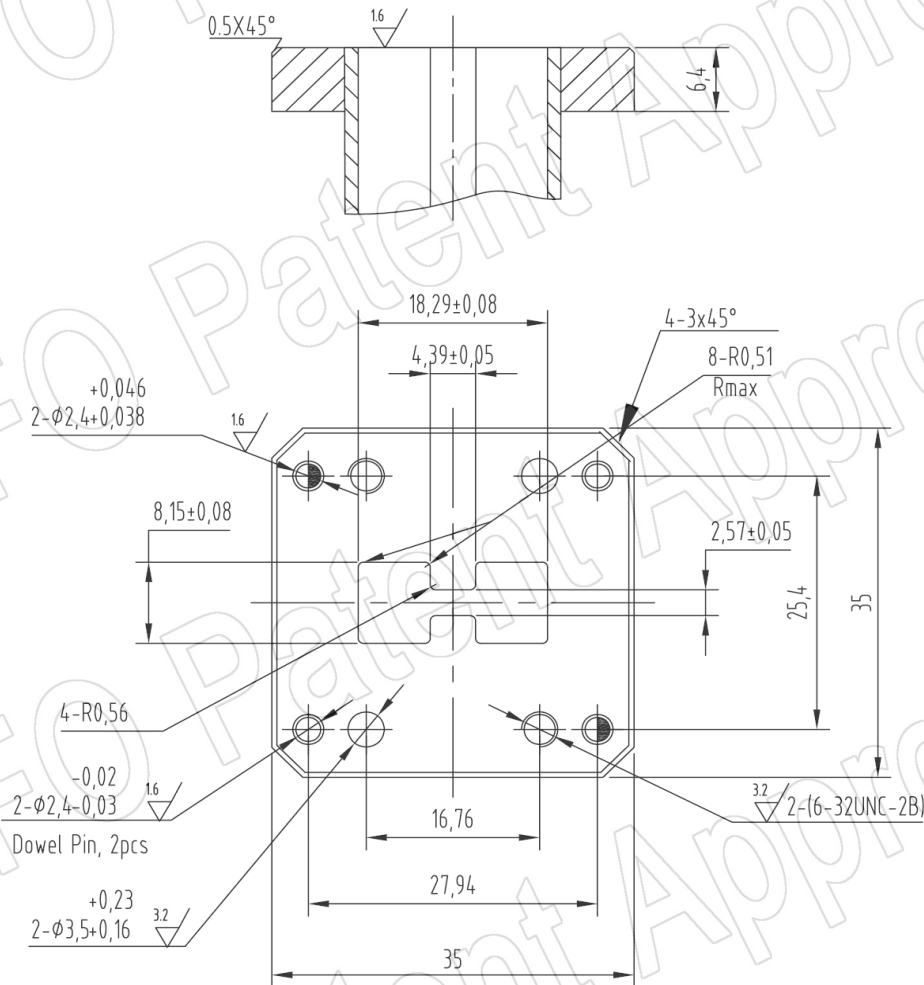
Fax: (+86) 10-6266-7379
Fax: (+86) 28-8519-3068
Fax: (+1) 949-639-9670

Website: www.ainfoinc.com
Email: sales@ainfoinc.com

Flange Drawing (Size: mm)

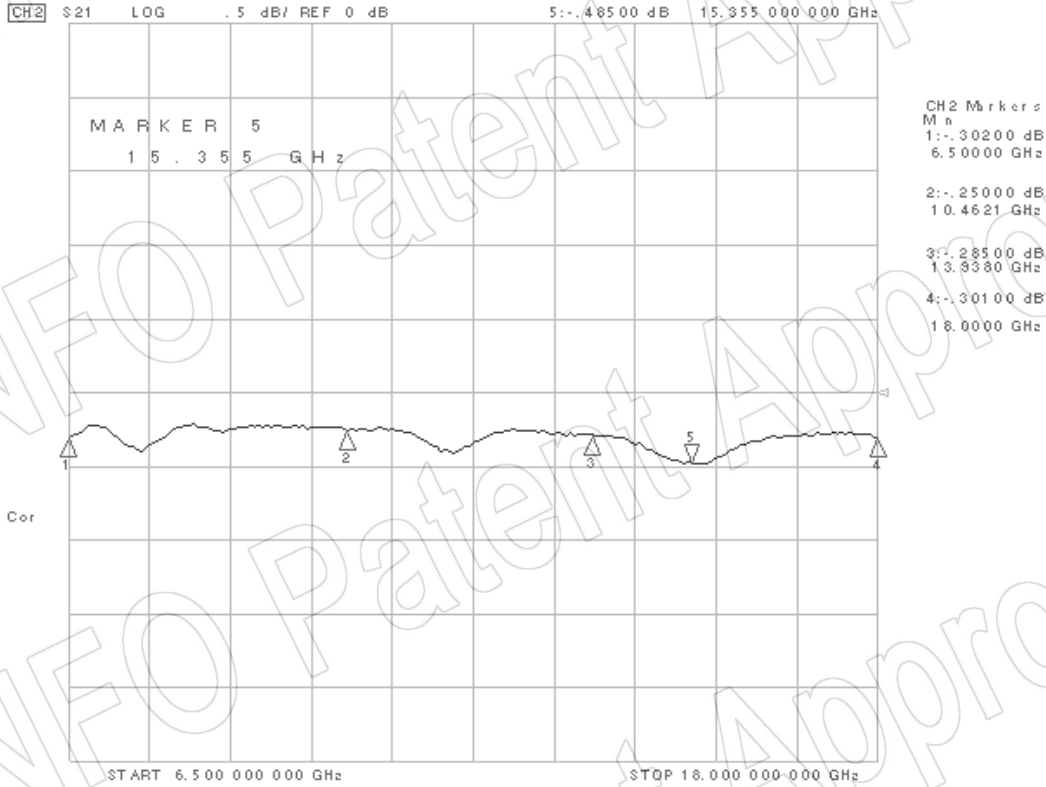
FPWRD650D28

(With two through mounting holes
and two screws holes)

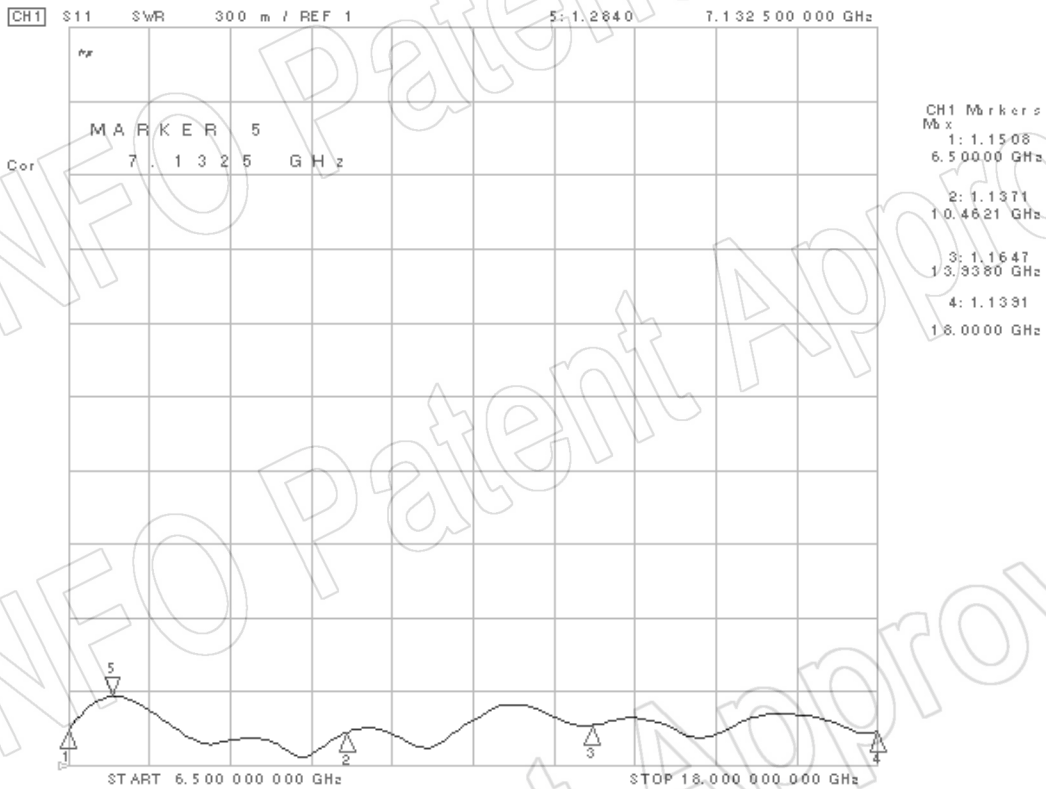


Test Results

I. L. (Test with two adapters back to back)



VSWR



AINFO Inc.

China(Beijing):
China(Chengdu):
USA:

Tel: (+86) 10-6266-7326,
Tel: (+86) 28-8519-2786,
Tel: (+1) 949-639-9688,

(+86) 10-6266-7327
(+86) 28-8519-3044
(+1) 949-639-9608

Fax: (+86) 10-6266-7379
Fax: (+86) 28-8519-3068
Fax: (+1) 949-639-9670

Website: www.ainfoinc.com
Email: sales@ainfoinc.com