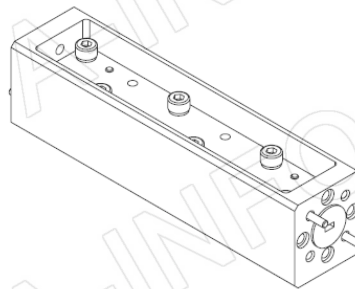
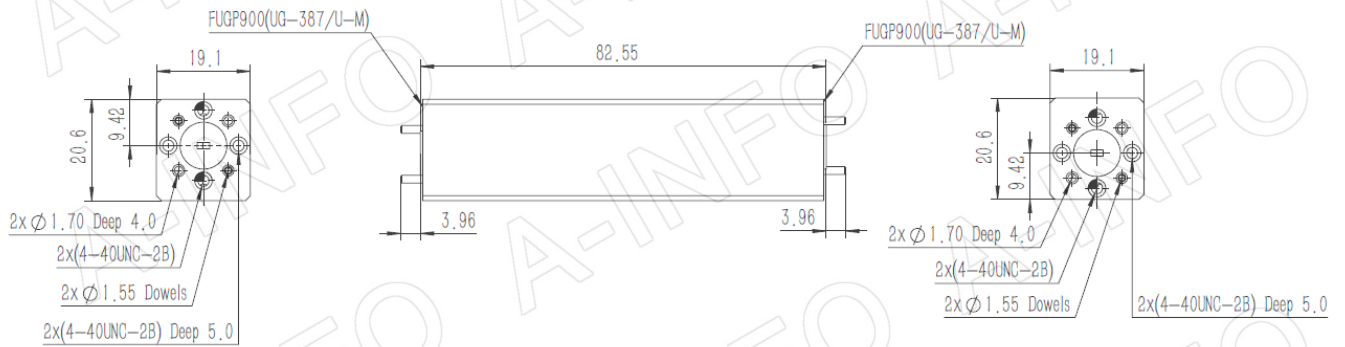


Technical Specification



EIA WR	WR10
Frequency Range(GHz)	75.0 - 110.0
Attenuation(dB)	20
Attenuation Accuracy(dB)	±2 Max.
VSWR	1.25:1 Max.
Power Handling(W CW)	0.5
Flange	FUGP900(UG-387/U-M)
Material	Cu
Size(mm)	82.55 x 19.1 x 20.6
Net Weight(Kg)	0.14 Around

Outline Drawing (Size: mm)



AINFO Inc.

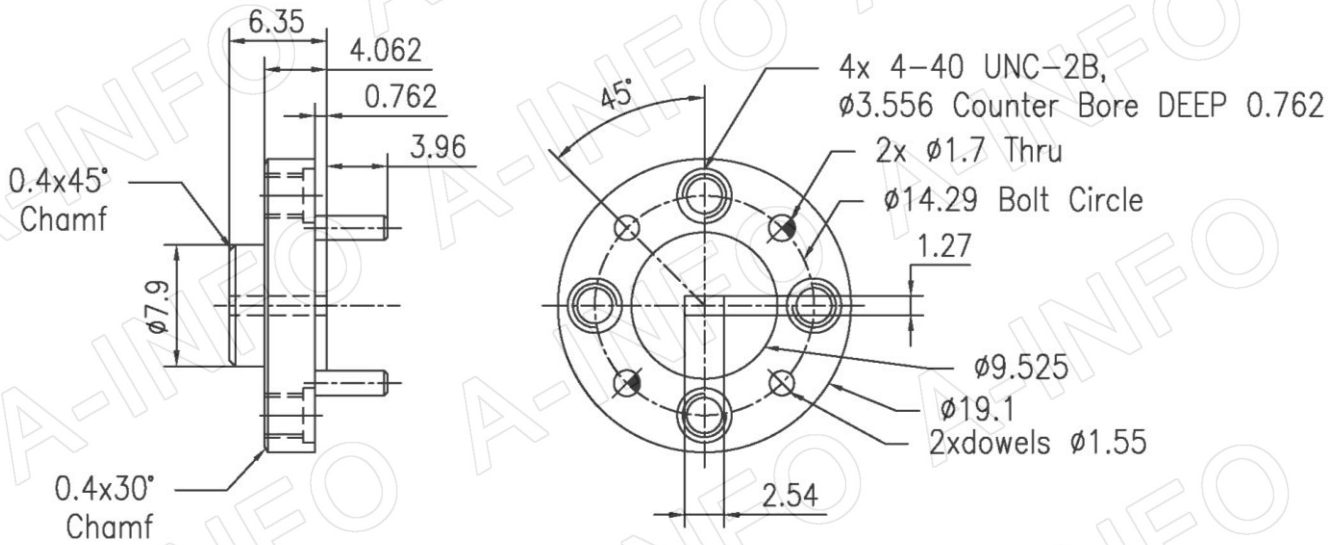
Page 1 of 3

China(Beijing): Tel: (+86) 10-6266-7326,
China(Chengdu): Tel: (+86) 28-8519-2786,
USA: Tel: (+1) 949-639-9688,

(+86) 10-6266-7327 Fax: (+86) 10-6266-7379
(+86) 28-8519-3044 Fax: (+86) 28-8519-3068
(+1) 949-639-9608 Fax: (+1) 949-639-9670

Website: www.ainfoinc.com
Email: sales@ainfoinc.com

Flange Drawing (Size: mm)



FUGP900
(equivalent to UG-387/U-M)

Test Results

Attenuation & VSWR

