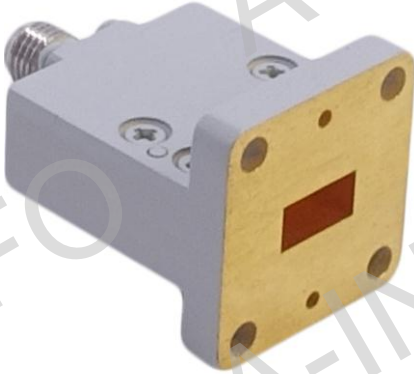
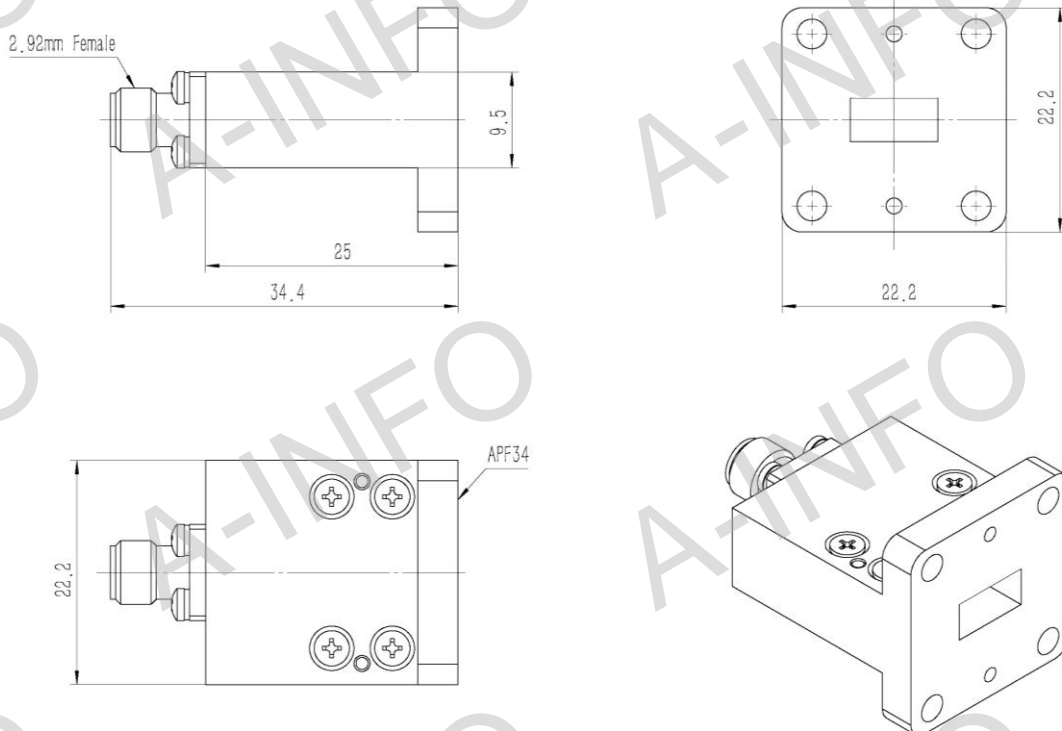


## Technical Specification



|                      |                    |
|----------------------|--------------------|
| EIA WR               | WR34               |
| Frequency Range(GHz) | 22.0 – 33.0        |
| Insertion Loss(dB)   | 0.4 Max.           |
| VSWR                 | 1.30:1 Max.        |
| Flange               | APF34              |
| Connector            | 2.92mm-Female      |
| Average Power(W CW)  | 20 Max.            |
| Peak Power(KW)       | 0.04               |
| Material             | Cu                 |
| Size(mm)             | 34.4 x 22.2 x 22.2 |
| Net Weight(Kg)       | 0.05 Around        |

## Outline Drawing (Size: mm)



AINFO Inc.

Page 1 of 3

China(Beijing):  
China(Chengdu):  
USA :

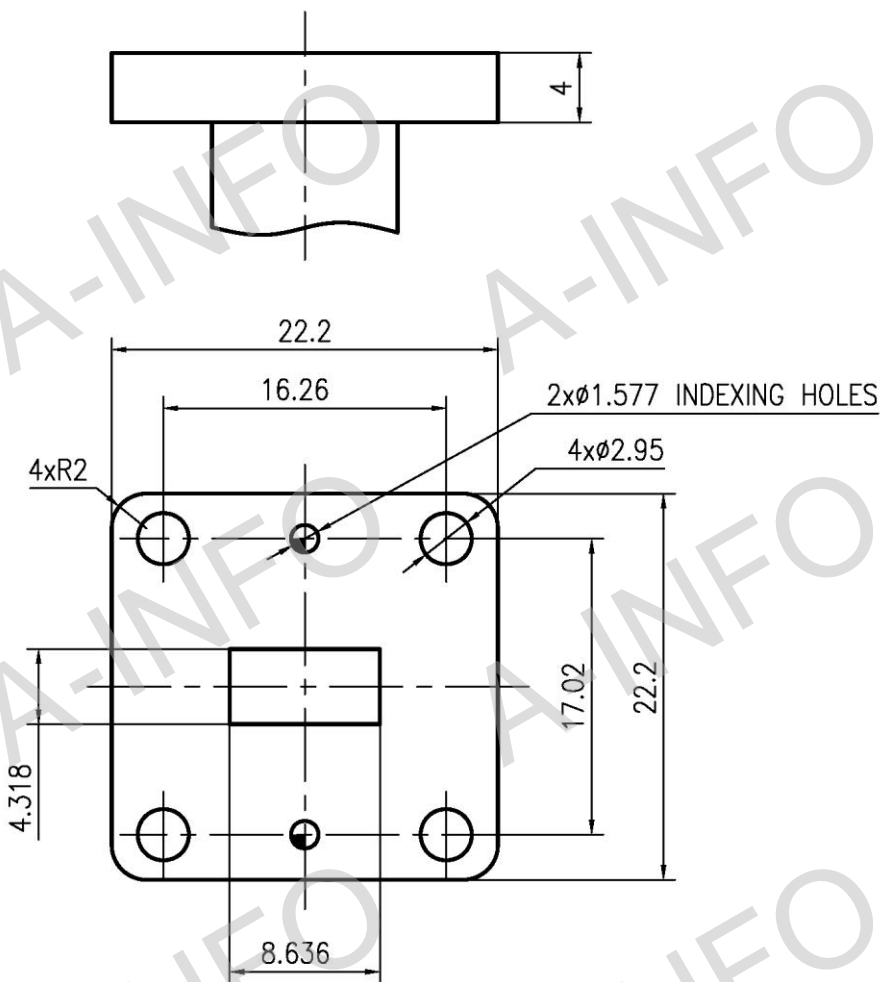
Tel: (+86) 10-6266-7326,  
Tel: (+86) 28-8519-2786,  
Tel: (+1) 949-639-9688,

(+86) 10-6266-7327  
(+86) 28-8519-3044  
(+1) 949-639-9608

Fax: (+86) 10-6266-7379  
Fax: (+86) 28-8519-3068  
Fax: (+1) 949-639-9670

Website: [www.ainfoinc.com](http://www.ainfoinc.com)  
Email: [sales@ainfoinc.com](mailto:sales@ainfoinc.com)

## Flange Drawing (Size: mm)



APF34

AINFO Inc.

Page 2 of 3

China(Beijing):  
China(Chengdu):  
USA :

Tel: (+86) 10-6266-7326,  
Tel: (+86) 28-8519-2786,  
Tel: (+1) 949-639-9688,

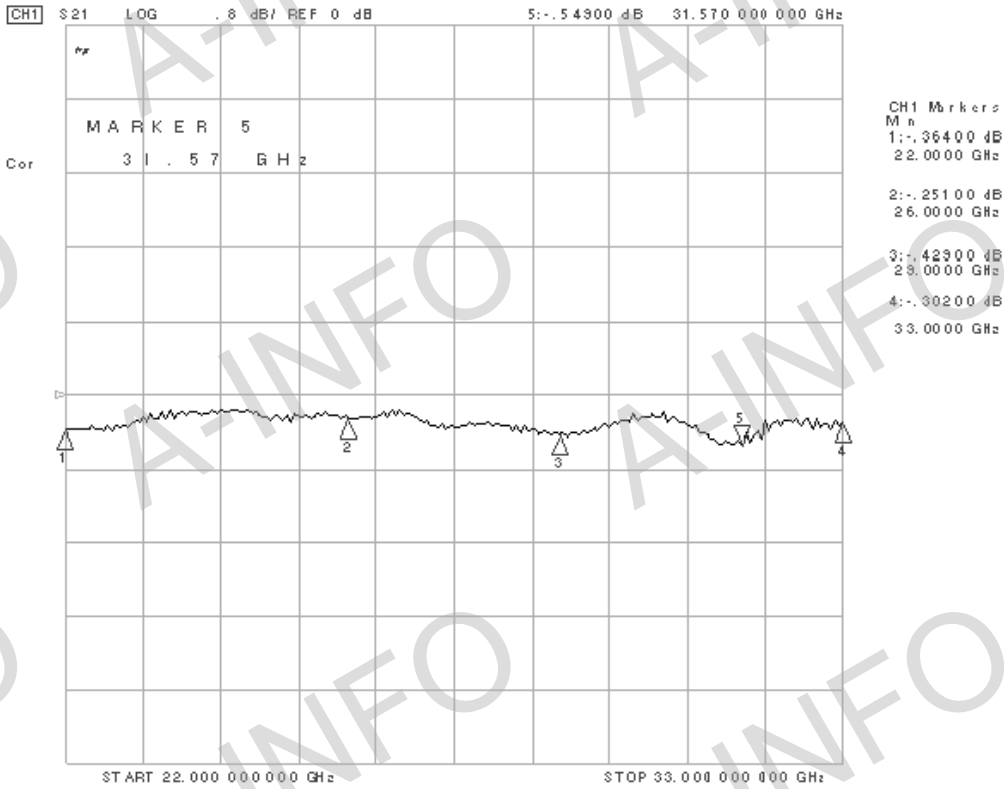
(+86) 10-6266-7327  
(+86) 28-8519-3044  
(+1) 949-639-9608

Fax: (+86) 10-6266-7379  
Fax: (+86) 28-8519-3068  
Fax: (+1) 949-639-9670

Website: [www.ainfoinc.com](http://www.ainfoinc.com)  
Email: [sales@ainfoinc.com](mailto:sales@ainfoinc.com)

## Test results

I. L. (Test with two adapters back to back)



## VSWR

