

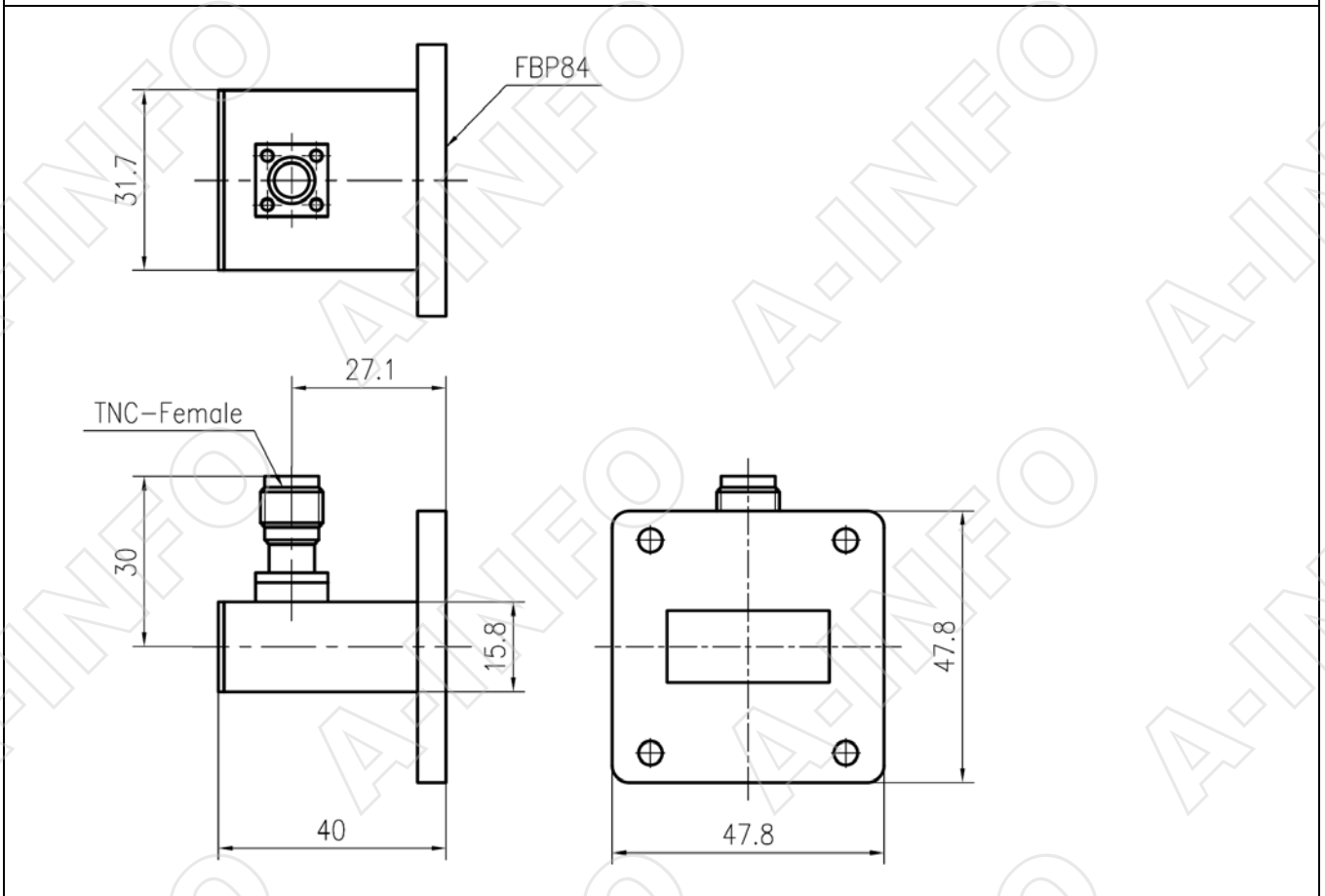
Technical Specification



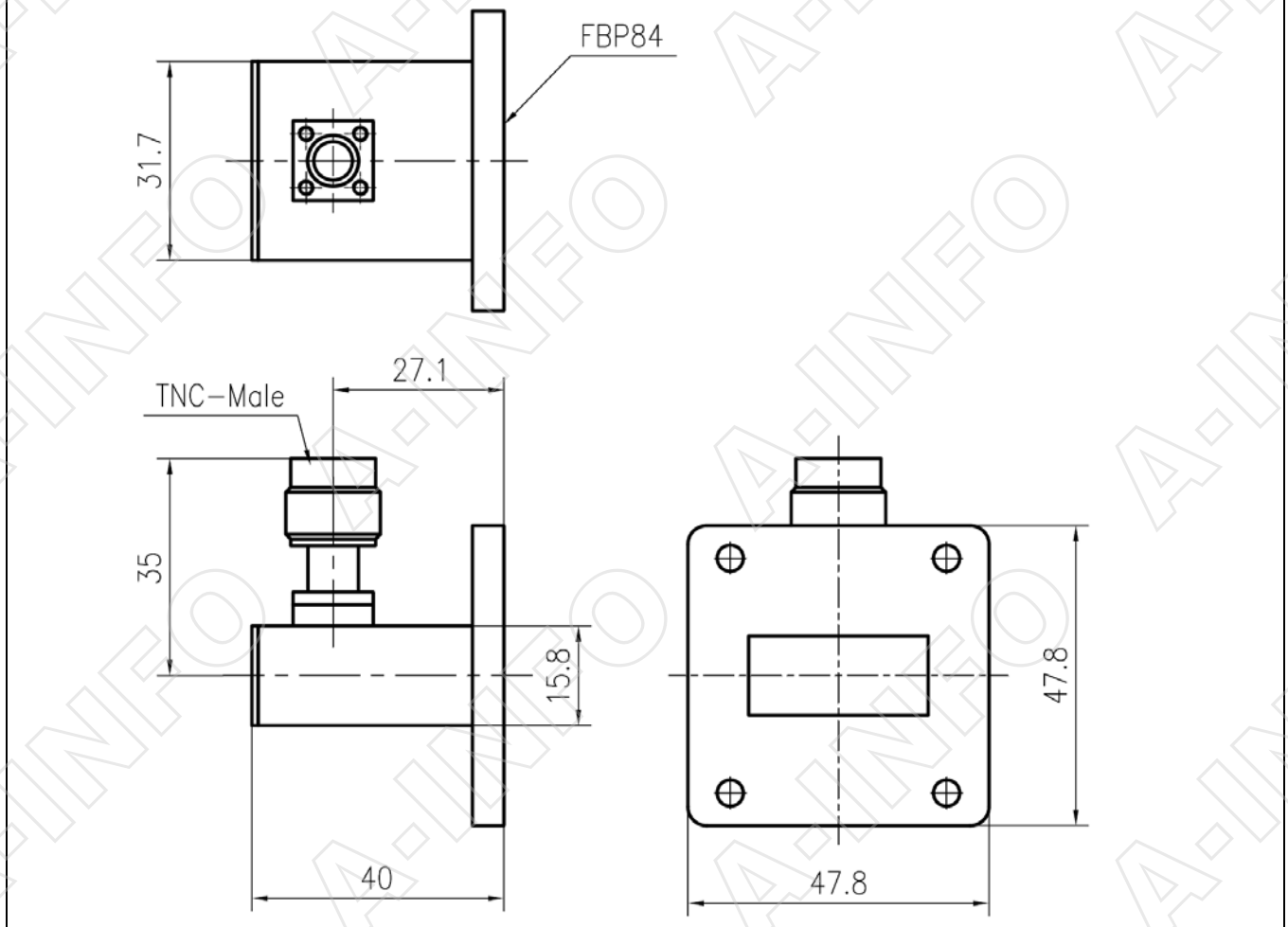
Frequency Range(GHz)	7.05 - 10.0
VSWR	1.25
Theoretical Insertion Loss(dB)	0.19 Max.
Connector	TNC-F/TNC-M
EIA WG	WR112
Flange	FBP84
Material	Al
Net Weight(Kg)	0.06 Around

Outline Drawing (Size: mm)

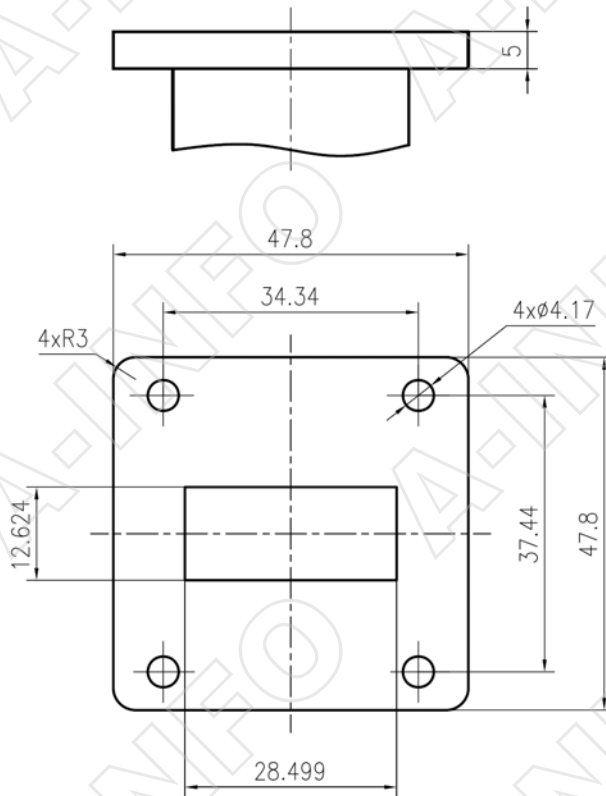
112WCAT



112WCATM



Flange Drawing



FBP84

Test Results

VSWR

