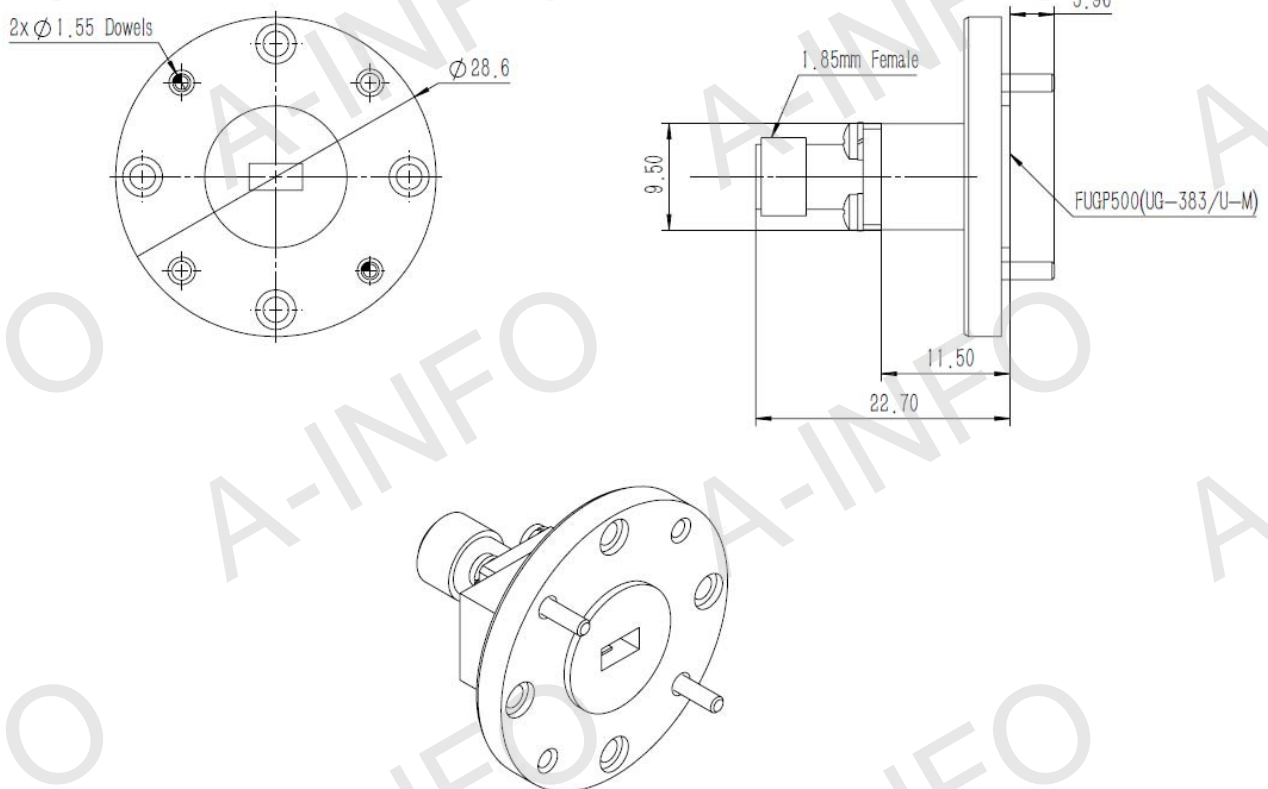


Technical Specification



EIA WR	WR19
Frequency Range(GHz)	40.0 - 60.0
Insertion Loss(dB)	0.8 Max.
VSWR	1.50:1 Max.
Flange	FUGP500(UG-383/U-M)
Connector	1.85mm-Female
Average Power(W CW)	5 Max.
Peak Power(KW)	0.01
Material	Cu
Size(mm)	22.7 x 28.6 x 28.6
Net Weight(Kg)	0.03 Around

Outline Drawing (Size: mm)



AINFO Inc.

Page 1 of 3

China(Beijing):
China(Chengdu):
USA :

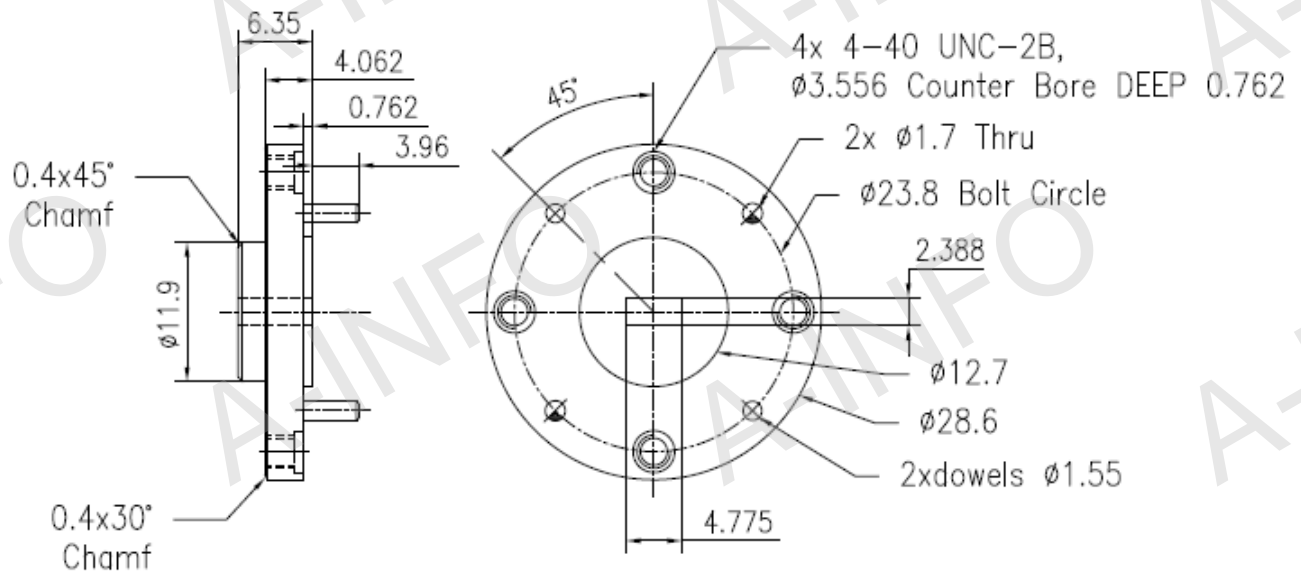
Tel: (+86) 10-6266-7326,
Tel: (+86) 28-8519-2786,
Tel: (+1) 949-639-9688,

(+86) 10-6266-7327
(+86) 28-8519-3044
(+1) 949-639-9608

Fax: (+86) 10-6266-7379
Fax: (+86) 28-8519-3068
Fax: (+1) 949-639-9670

Website: www.ainfoinc.com
Email: sales@ainfoinc.com

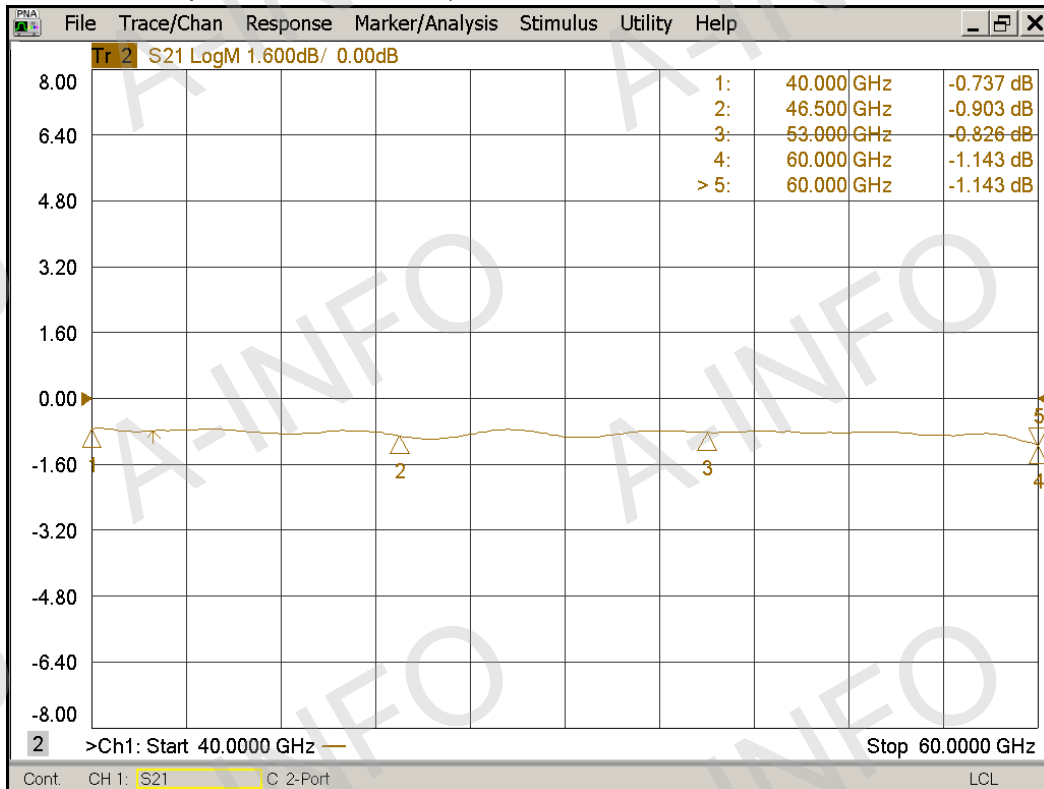
Flange Drawing (Size: mm)



FUGP500
(equivalent to UG-383/U-M)

Test results

I. L. (Test with two adapters back to back)



VSWR

