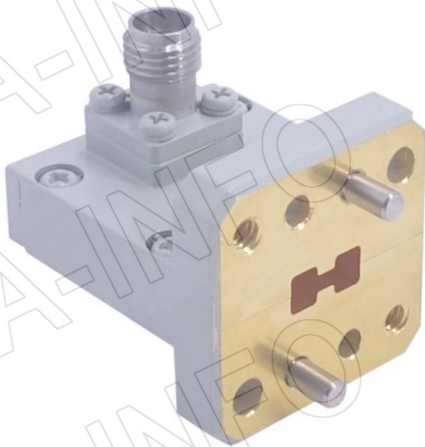


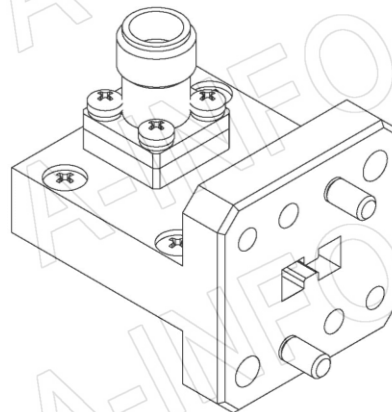
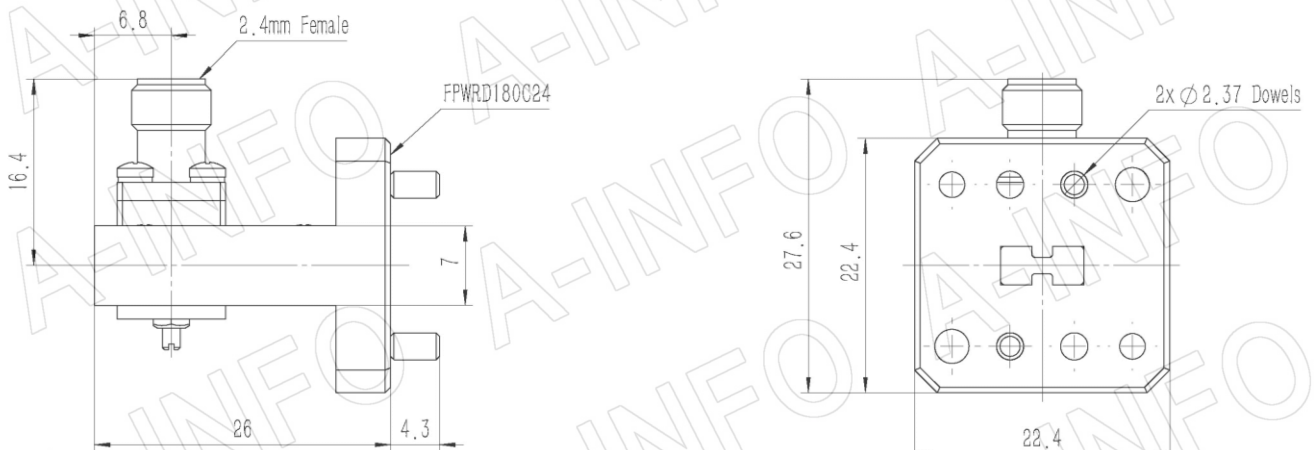
For reference only. See data sheet for the detailed specifications.

Technical Specification



EIA WRD	WRD180
Frequency Range(GHz)	18.0 – 40.0
Insertion Loss(dB)	0.75 Max.
VSWR	1.50:1 Max.
Flange	FPWRD180C24
Connector	2.4mm-Female
Power Handling(W CW)	10 Max.
Peak Power(KW)	0.02
Material	Cu
Size(mm)	26 x 22.4 x 27.6
Net Weight(Kg)	0.04 Around

Outline Drawing (Size: mm)



AINFO Inc.

Page 1 of 3

China(Beijing):
China(Chengdu):
USA :

Tel: (+86) 10-6266-7326,
Tel: (+86) 28-8519-2786,
Tel: (+1) 949-639-9688,

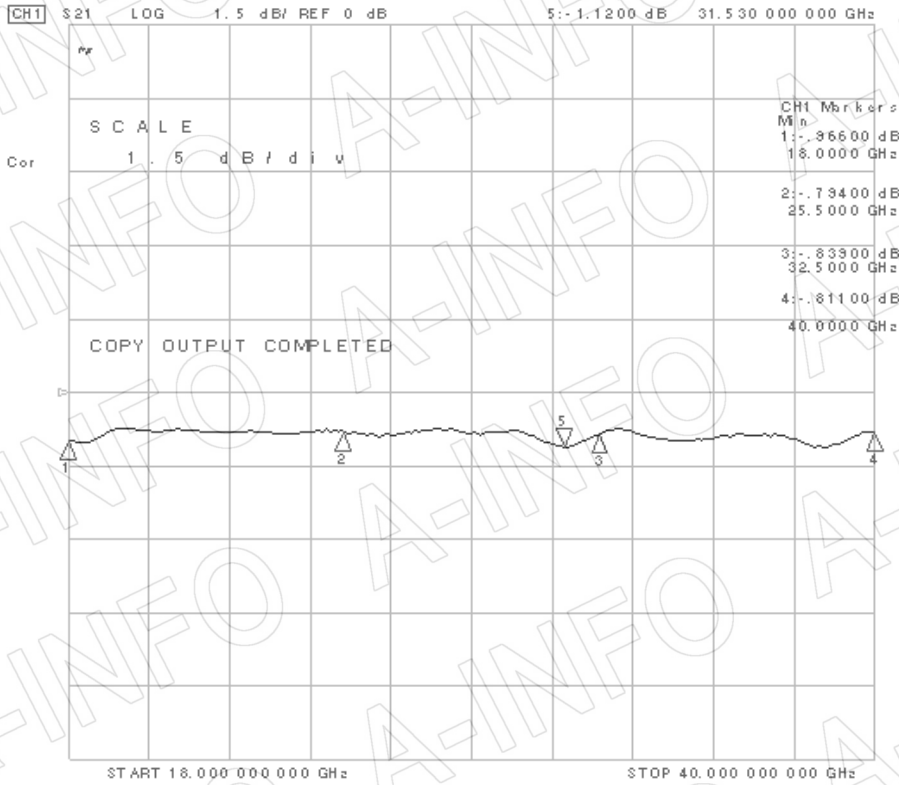
(+86) 10-6266-7327
(+86) 28-8519-3044
(+1) 949-639-9608

Fax: (+86) 10-6266-7379
Fax: (+86) 28-8519-3068
Fax: (+1) 949-639-9670

Website: www.ainfoinc.com
Email: sales@ainfoinc.com

Test Results

I. L. (Test with two adapters back to back)



VSWR

