

TX-3535WS4FC120-OGVCND34-07BH80

PRODUCT SPECIFICATION

Features:

- ◆ Excellent transiting heat from LED chip operating under 350mA.
- ◆ High luminous output.
- ◆ No UV.
- ◆ Encapsulated materials are environmentally certified and meet environmental requirements.

Chip Material:

- ◆ GaN
- ◆ GaN

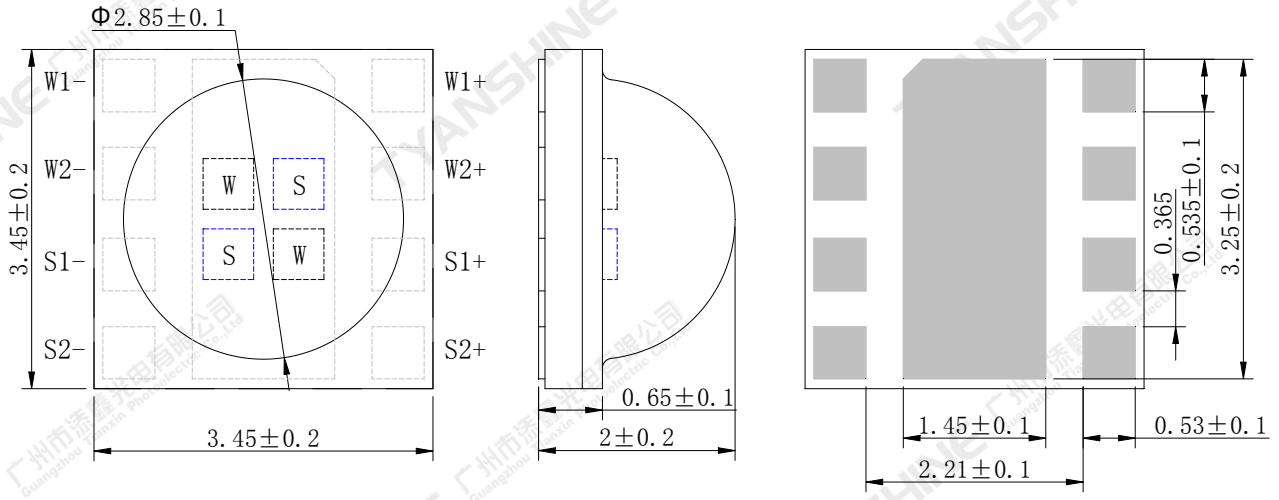
Emitting Color:

- ◆ white
- ◆ Warm white

Applications:

- ◆ Auxiliary lighting
- ◆ Architectural lighting
- ◆ General Lighting

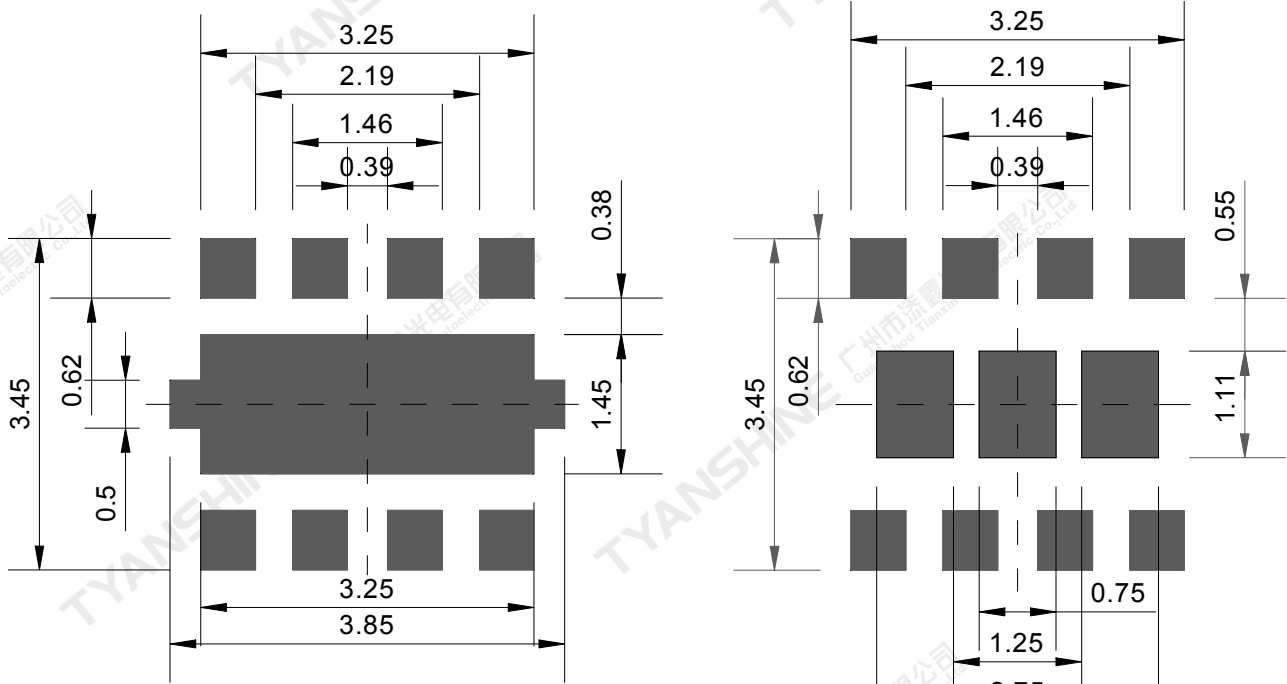
Package Dimensions:



Top view

Side view

Bottom view



Recommended solder pad

Recommended stencil pattern

Notes:

- 1.All dimensions are in millimeters .
- 2.Tolerances unless otherwise mentioned are ± 0.1 mm .

Absolute Maximum Ratings (Tc=25°C)

Parameter	Symbol	Ratings	Unit
Forward Current	IF	350	mA
Reverse Voltage	VR	Not designed for reverse operation	V
Power Dissipation	PD	W1	1330
		W2	1330
		S1	1330
		S2	1330
Junction Temperature	Tj	150	°C
Electrostatic Discharge Threshold (ESD)	ESD	ESD sensitive device	V
Storage Temperature	Tstg	-40~+70	°C
Operation Temperature	Topr	-30~+85	

Notes:

- Specifications are subject to change without notice.
- The data on this specification is for reference only and the actual data is in accordance with the acknowledgment.
- Precautions for ESD:
STATIC SHIELD Electricity and surge damages the LED. It is recommended to use a wrist band or anti-electrostatic glove when handling the LED. All devices, equipment and machinery must be properly grounded.

Electrical Optical Characteristics (Tc=25°C)

Parameter	Symbol	Condition	Emitting Color	Min.	Typ.	Max.	Units
Luminous Flux	ϕ_v	If=300mA	W1	55	70	—	lm
			W2	55	70	—	
			S1	45	50	—	
			S2	45	50	—	
Correlated Colour Temperature	CCT		W	3780	4040	4300	K
			S	2120	2190	2270	
Color Rendering Index	Ra		W	80	82.5	—	—
Forward Voltage	V_f		W1	3.0	3.2	3.6	V
			W2	3.0	3.2	3.6	
			S1	3.0	3.2	3.6	
		S2	3.0	3.2	3.6		
Viewing Angle at 50% IV	$2\theta_{1/2}$	—	—	120	—	Deg	
Reverse Current	I_R	—	—	—	—	μA	
Thermal Resistance Junction to Case	$R\theta_{J-C}$	—	—	—	5.0	—	K/W
Temperature Coefficient of Voltage	$V\Delta F/T$	If=300mA	—	—	-2	—	mV/°C

White light Color coordinate filing IF=300mA

Region	CCT Range		X1	Y1	X2	Y2	X3	Y3	X4	Y4
	Min	Max								
5A2	4150K	4300K	0.3724	0.3656	0.3665	0.3619	0.3683	0.3711	0.3745	0.3749
5A3	3950K	4150K	0.3808	0.3716	0.3726	0.3666	0.3749	0.3768	0.3836	0.3821
5D2	3780K	3950K	0.3889	0.3773	0.3811	0.3725	0.3838	0.3831	0.3921	0.3880
AC21	2120	2190K	0.5258	0.4305	0.5182	0.4308	0.5258	0.4411	0.5344	0.4411
AB21	2190K	2250K	0.5182	0.4308	0.5095	0.4312	0.5168	0.4411	0.5258	0.4411

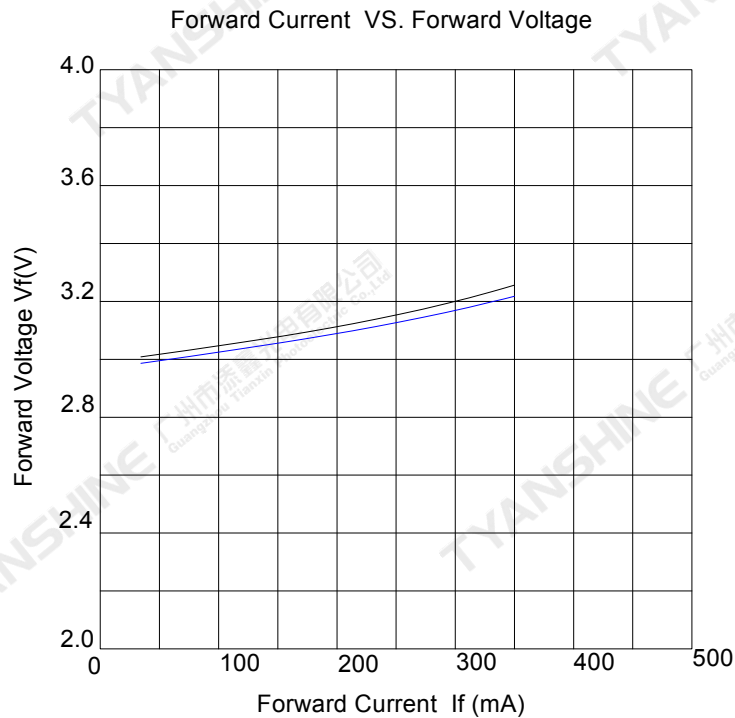
Notes:

- Luminous intensity is measured with a light sensor and filter combination that approximates the CIE eye-response curve.
- $\theta_{1/2}$ is the off-axis angle at which the luminous intensity is half the axial luminous intensity.
- Luminous flux measurement tolerance: $\pm 15\%$.

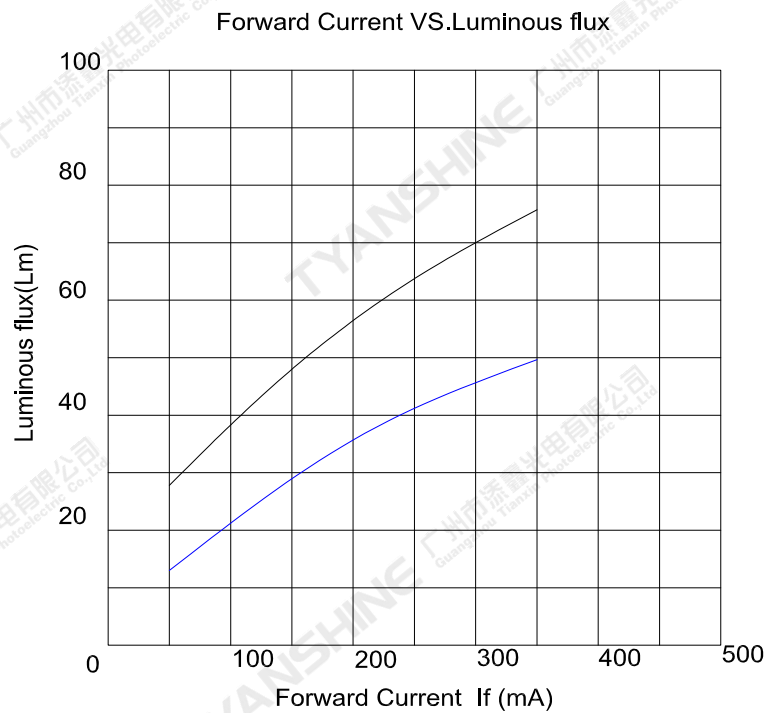
4.Forward voltage measurement tolerance:±0.15V.

Typical Electrical/Optical Characteristics Curves

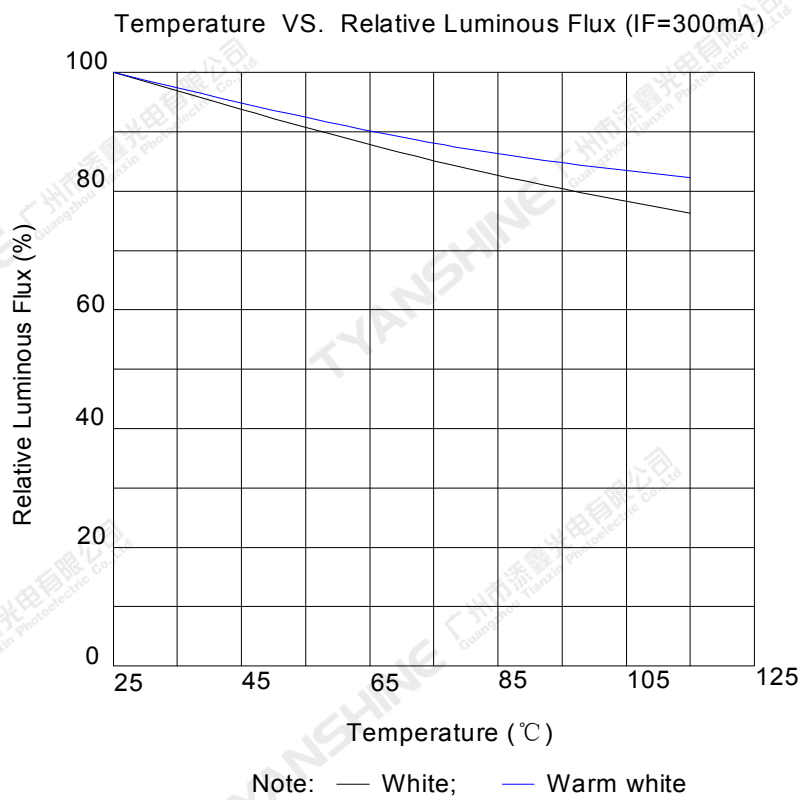
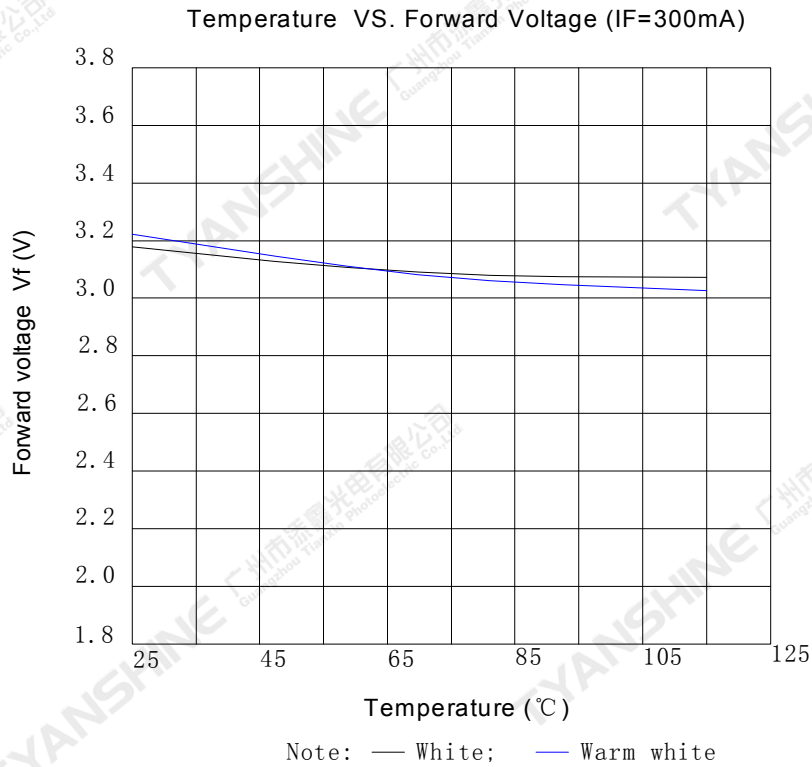
(25°C Ambient Temperature Unless Otherwise Noted)

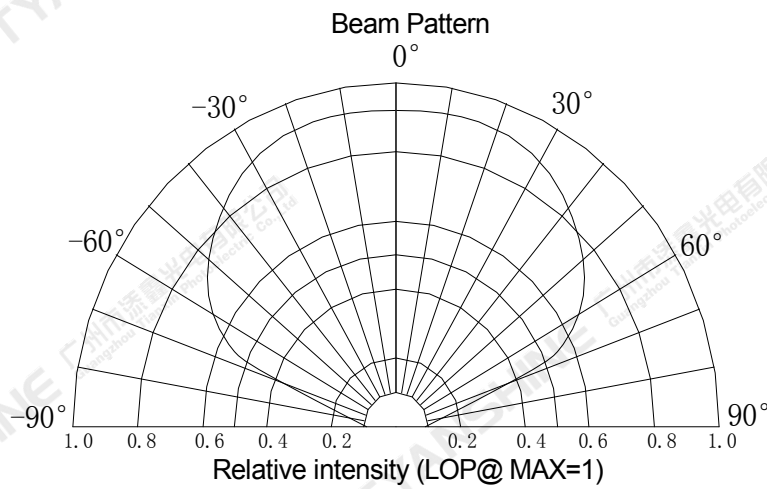
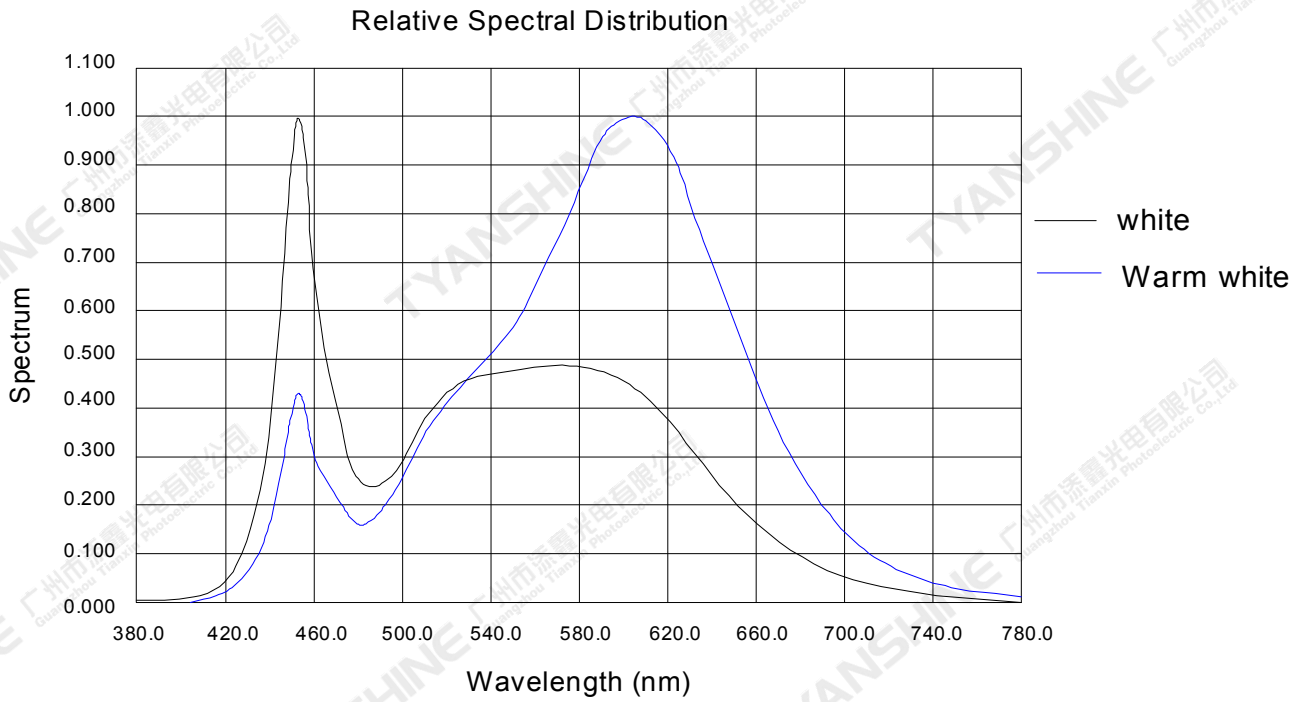


Note: — White; — Warm white



Note: — White; — Warm white





Notes:

1. $2\theta_{1/2}$ is the off axis angle from lamp centerline where the luminous intensity is 1/2 of the peak value.
2. View angle tolerance is $\pm 5^\circ$.

Usage Precautions

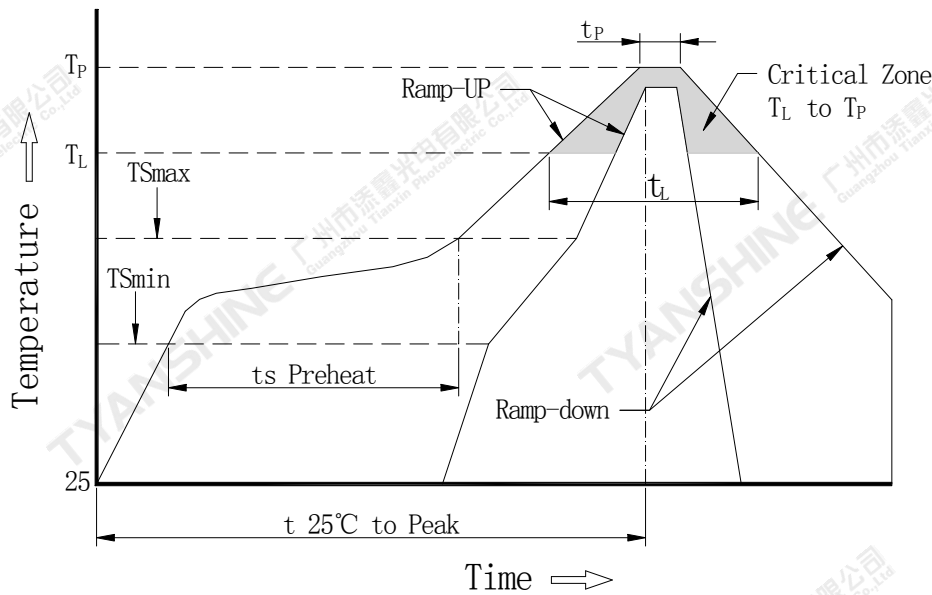
Storage Environment Condition

Temperature: 5°C ~ 30°C (41°F ~ 86°F)

Humidity: 60% RH Max.

Soldering Condition

Use the conditions shown to the under figure.



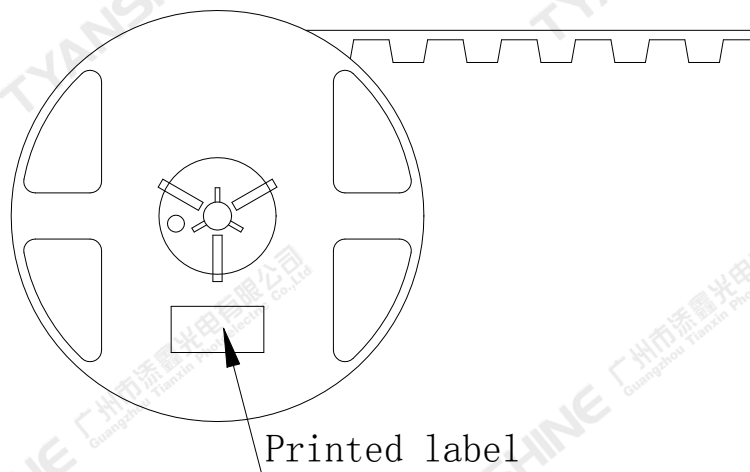
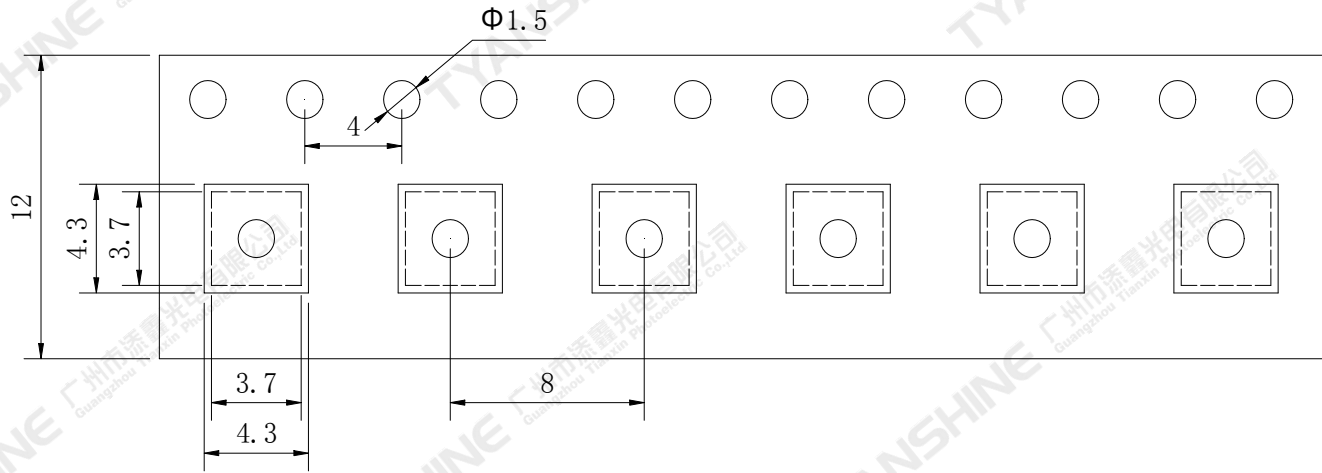
Profile Feature	Lead-Based Solder
Average Ramp-Up Rate (TS _{max} to TP)	3°C/second max.
Preheat: Temperature Min (TS _{min})	100°C
Preheat: Temperature Max (TS _{max})	150°C
Preheat: Time (TS _{min} to TS _{max})	60-120 seconds
Time Maintained Above: Temperature (TL)	183°C
Time Maintained Above: Time (TL)	60-150 seconds
Peak/Classification Temperature (TP)	225°C
Time Within 5°C of Actual Peak Temperature (TP)	10-30 seconds
Ramp-Down Rate	6°C/second max.
Time 25°C to Peak Temperature	6 minutes max.

Note:

All temperatures refer to topside of the package, measured on the package body surface.

Dimensions For Cannulation And Packaging

Quantity:1000 PCS



Notes:

1. All dimensions are in millimeters.
2. Tolerances are ± 2.0 mm unless otherwise noted.
3. The products are packaged together with silica gel, Transport, not to the weight of welding LED light-emitting area, As a result of the weight of LED light-emitting zone in the quality of, Irresponsible of the Company.

Part No.	TX-3535WS4FC120-OGVCND34-07BH80	Spec No.	WKF-ED0055	Page	9 of 9
----------	---------------------------------	----------	------------	------	--------