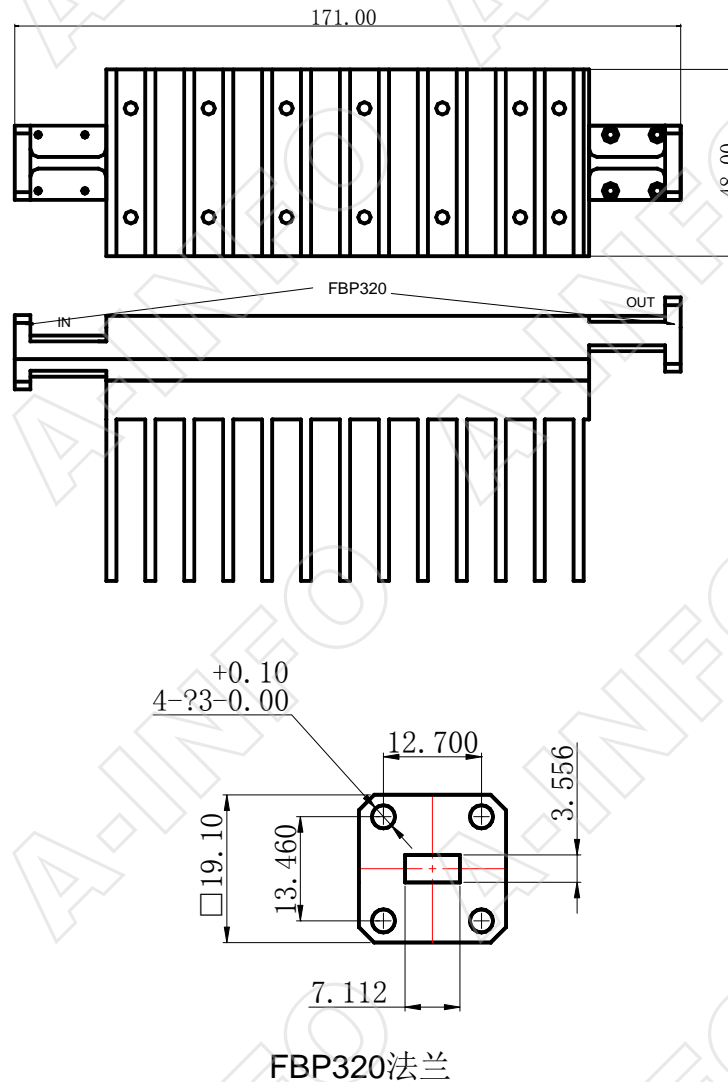


Technical Specification



| | |
|-----------------|----------------|
| Frequency Range | 26.5 – 40.0GHz |
| Waveguide | WR28 |
| Attenuation | 30dB |
| Accuracy | ±1.5dB max |
| VSWR | 1.30 max |
| Flange | FBP320 |
| Power | 30W |
| Material | Al |
| Net Weight | 0.3Kg Around |

Outline Drawing (Size: mm)



Test Results

Attenuation and VSWR

