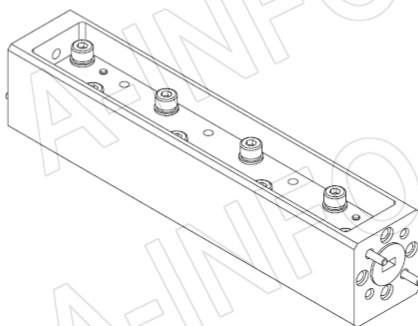
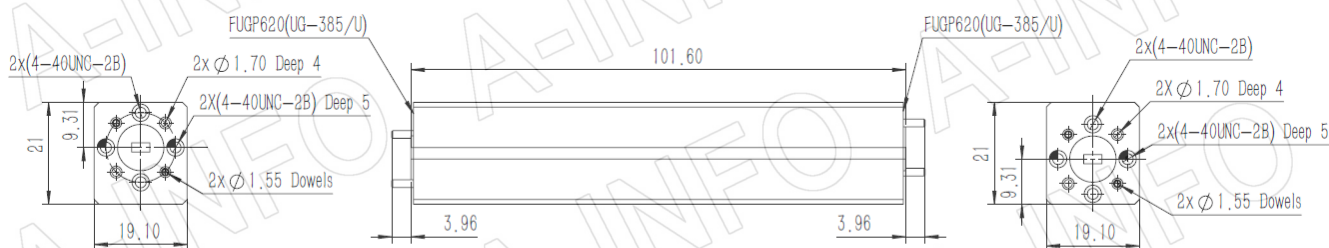


Technical Specification

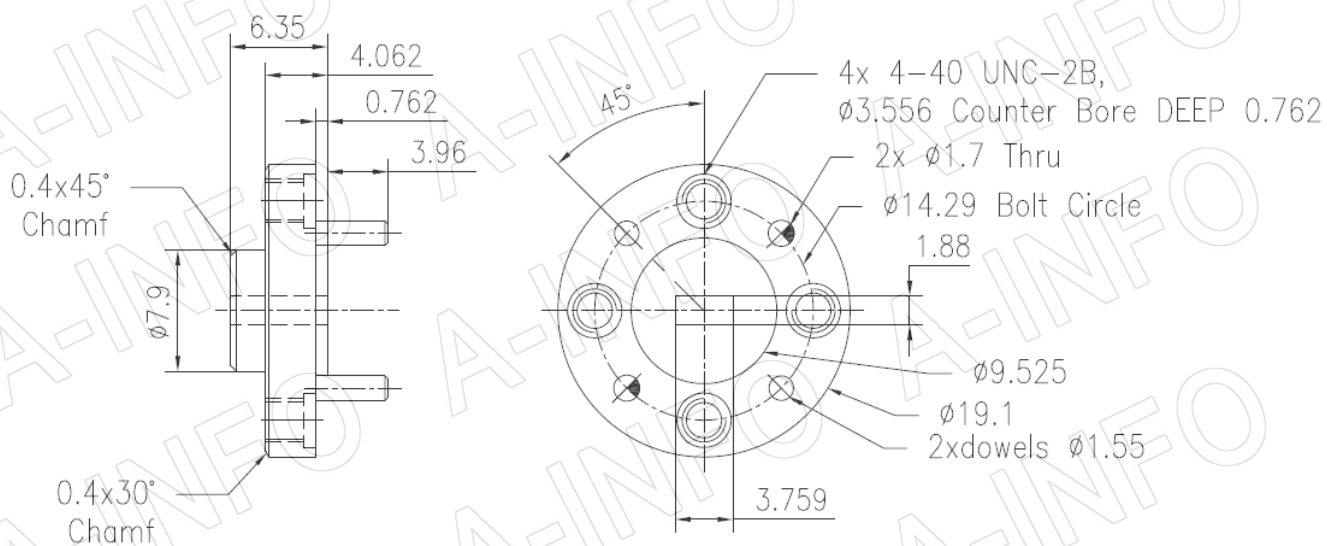


| | |
|-----------------------------|-------------------|
| WIA WR | WR15 |
| Frequency Range(GHz) | 50.0 - 75.0 |
| Attenuation(dB) | 20 |
| Attenuation Accuracy(dB) | ±1.3 Max. |
| Attenuation Sensitivity(dB) | ±0.9 Max. |
| VSWR | 1.15:1 Max. |
| Average Power(W CW) | 0.3 |
| Peak Power(KW) | 0.1 |
| Flange | FUGP620(UG-385/U) |
| Material | Cu |
| Size(mm) | 101.6 x 19.1 x 21 |
| Net Weight(Kg) | 0.16 Around |

Outline Drawing (Size: mm)



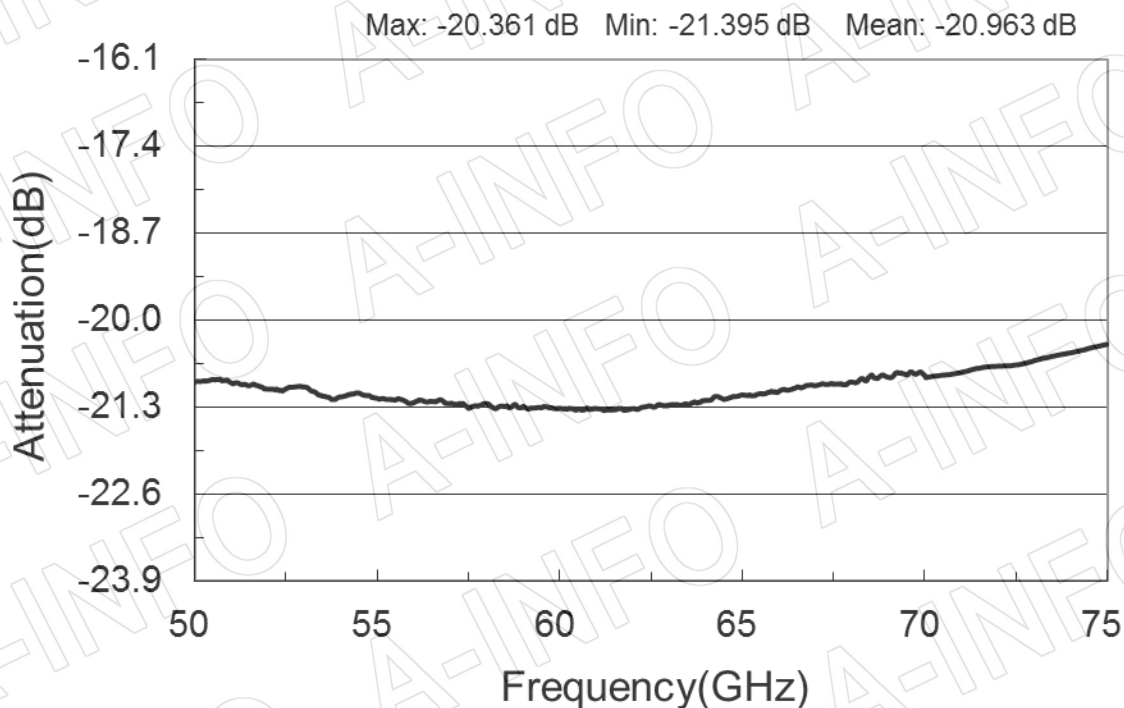
Flange Drawing (Size: mm)



FUGP620
(equivalent to UG-385/U)

Test Results

Attenuation



VSWR

