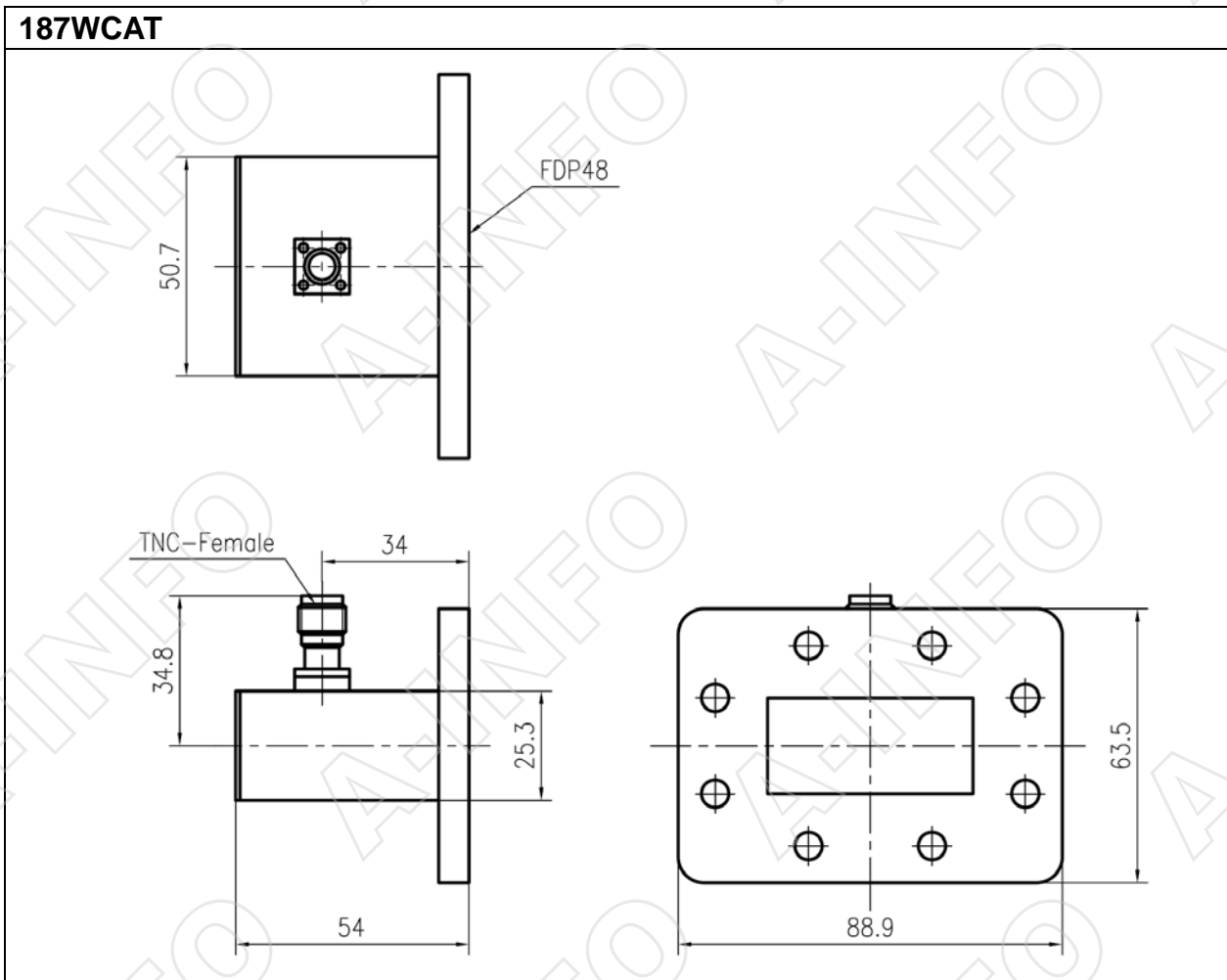


## Technical Specification

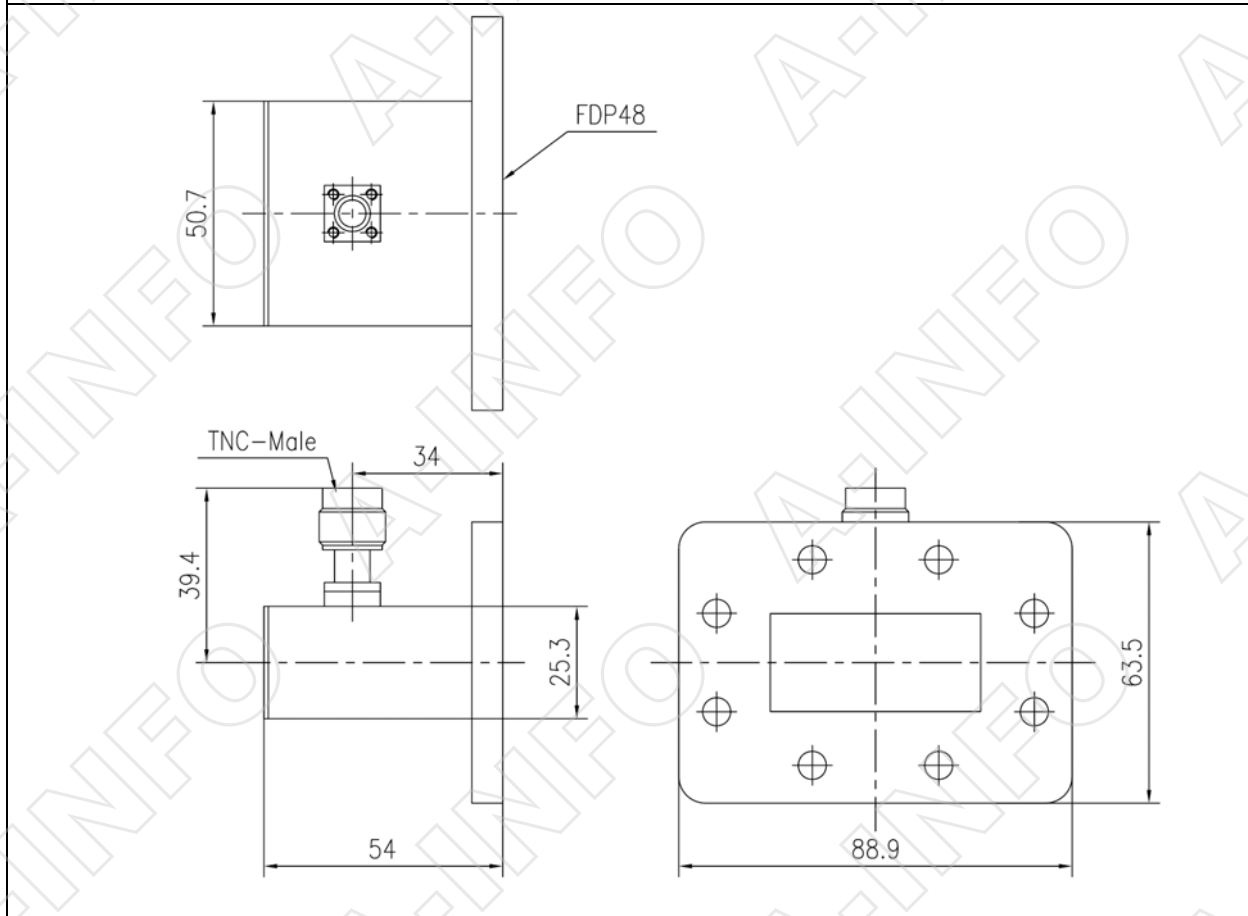


Frequency Range(GHz)	3.95 - 5.85
VSWR	1.25
Theoretical Insertion Loss(dB)	0.16 Max.
Connector	TNC-F/TNC-M
Waveguide	WR187
Flange	FDP48
Material	Al
Net Weight(Kg)	0.14 Around

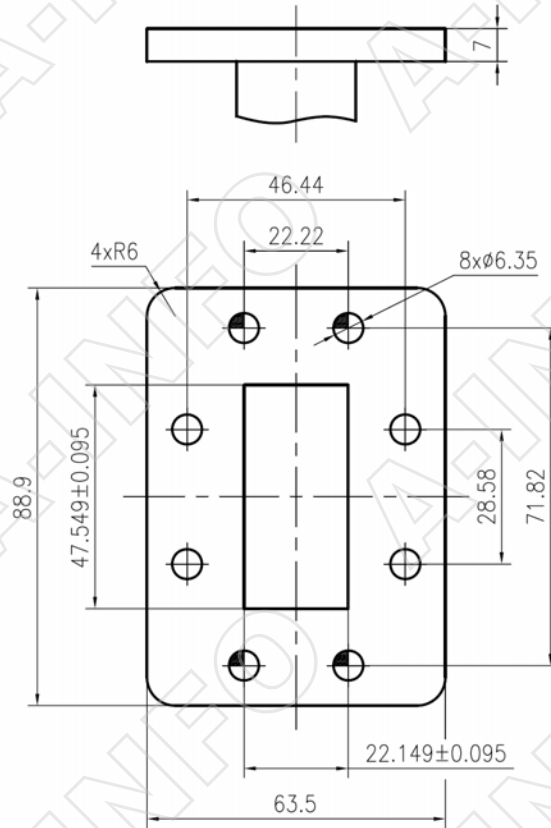
## Outline Drawing (Size: mm)



## 187WCATM



## Flange Drawing



FDP48

## Test Results

### VSWR

